


<b>M17</b>	BT00.00-X-1000Z	<b>Technical modifications</b>	<b>1.7.99</b>
------------	-----------------	--------------------------------	---------------

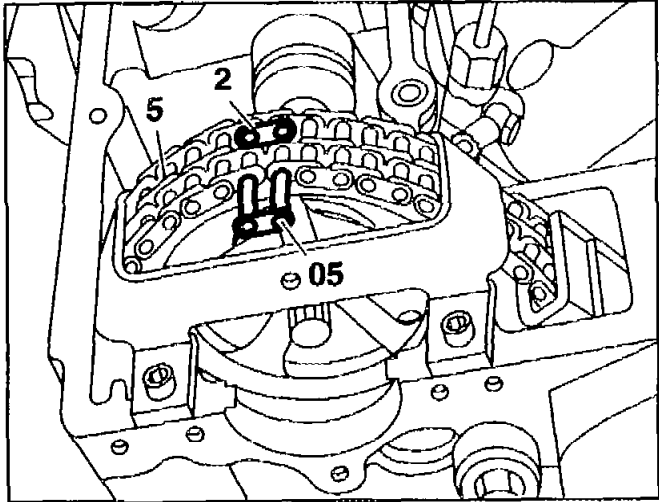
BT05.10-P-0001-01A	Timing chain with modified center plate		<b>N17</b>
BT05.20-P-0001-01A	Bolts for attaching camshaft housing to cylinder head discontinued		<b>P17</b>
BT05.30-P-0001-01A	Material and dimensions of valve guides modified		<b>B18</b>

<b>N17</b>	BT05.10-P-0001-01A	Timing chain with modified center plate		 <b>BT</b>
------------	--------------------	---	--	---

**Standard production breakpoints/modifications/new features**


Engine	LHS RHS	Trans- miss.	Engine end no. as of	Engine end no. up to	Prod. period as of	Prod. period up to	Nature and reason for modification	Reference/note
604.910		0	060045					
604.910		2	011904					
604.912		0	002690					
604.912		2	000584					
605.910		0	029485					
605.910		2	013324					
605.911		0	038392					
605.911		2	015204					
605.912		0	000356					
605.912		2	000070					
606.910		0	010232					
606.910		2	021183					
606.912		0	001347					
606.912		2	001633					

A press-fitted center plate is installed on engines of the models listed above in place of the timing chain with moving center plate for optimizing the wear characteristics.



P05.10-0266-01

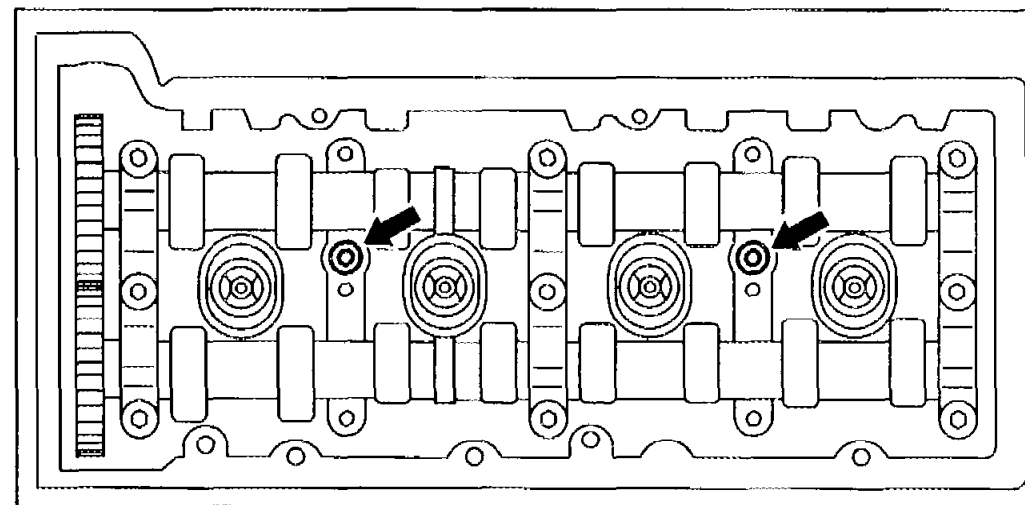


<b>P17</b> BT05.20-P-0001-01A	<b>Bolts for attaching camshaft housing to cylinder head discontinued</b>	 <b>BT</b>
-------------------------------	---	---

<b>Engine</b>	No.	Engine	except	LHD RHD	Trans- mis- sion	Engine end no. as of	Engine end no. up to	Production period (DD.MM.YY) as of	Production period (DD.MM.YY) up to
		604.910			0	028402		09.94	
		604.910			2	005831		09.94	
		605.910			0	017956		09.94	
		605.910			2	007989		09.94	
		605.911			0	025350		09.94	
		605.911			2	009336		09.94	
		606.910			0	007175		09.94	
		606.910			2	013517		09.94	
		604.912							
		605.912							
		606.912							

**Engine 604**

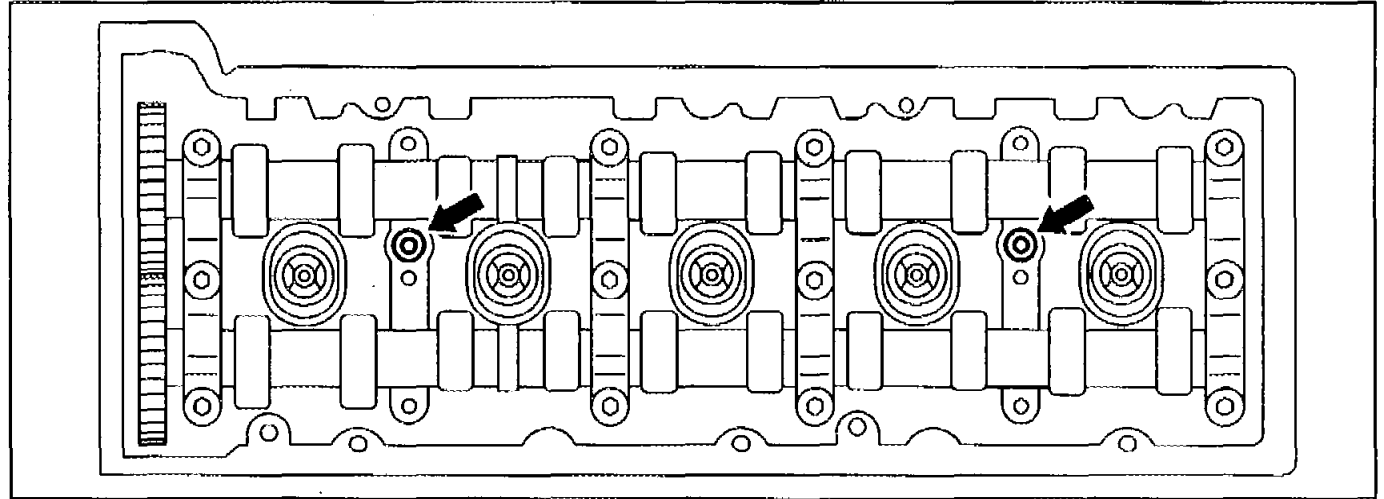
Bolts (arrows) for attaching camshaft housing to cylinder head discontinued.





**Engine 605**

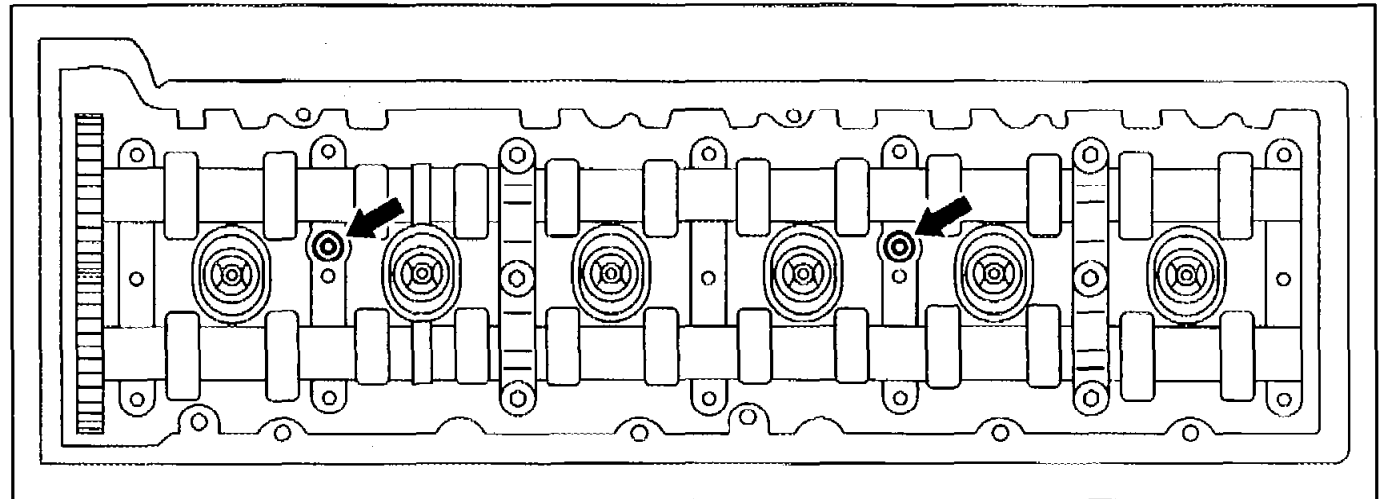
Bolts (arrows) for attaching camshaft housing to cylinder head discontinued.



P05.20-0247-04


**Engine 606**

Bolts (arrows) for attaching camshaft housing to cylinder head discontinued.



P05.20-0248-04



<b>B18</b>	BT05.30-P-0001-01A	Material and dimensions of valve guides modified		 <b>BT</b>
------------	--------------------	--	--	---

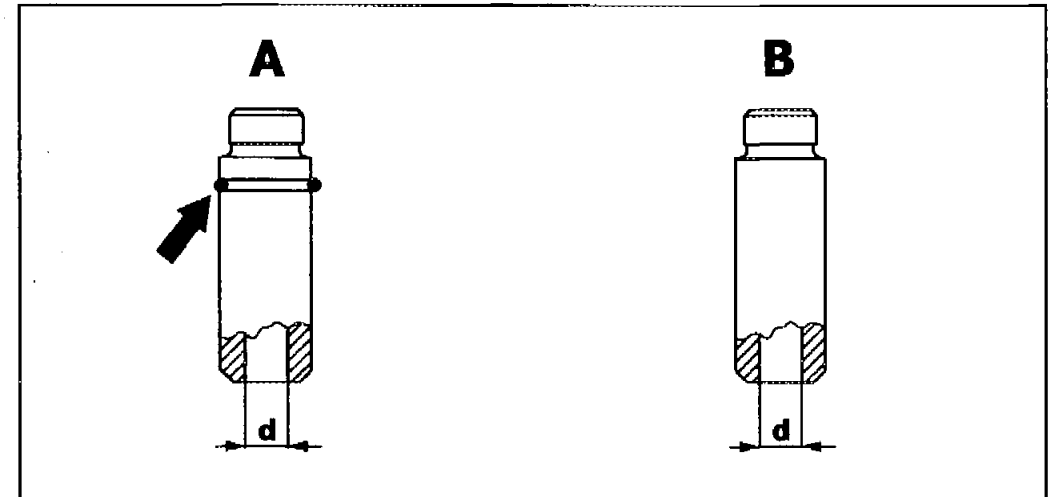
**Production breakpoints/modifications/new features**

Engine	LHD RHD	Trans- mis- sion	Engine end no. as of	Engine end no. up to	Productio n period as of	Productio n period up to	Nature and reason for modification	Reference/remarks
604.910		0	031330		11.94			
604.910		2	006456		11.94			
605.910		0	019352		11.94			
605.910		2	008690		11.94			
605.911		0	027120		11.94			
605.911		2	010043		11.94			
605.910		0	007550		11.94			
605.910		2	014564		11.94			
605.912		0	000001					
605.912		2	000001					

Material of exhaust valve guides modified from sintered metal to grey cast iron, inner  $\varnothing$  (d) enlarged from 6 mm to 7 mm.

At the same time the circlip (arrow) at the inlet and exhaust valve guides has been discontinued.

- A Valve guide made of sintered metal
- B Valve guide made of grey cast iron or sintered metal



P05.30-0250-10

### Valve guides

	Version and part no.	Material
Inlet/exhaust 1st version up to 11/94	Standard size I 606 050 08 24	Sintered metal with circlip
Inlet/exhaust 1st version up to 11/94	Repair size I 606 050 09 24	Sintered metal with circlip
Inlet 2nd version as of 11/94	Standard size I 606 053 12 29	Sintered metal without circlip
Inlet 2nd version as of 11/94	Repair size I 606 053 13 29	Sintered metal without circlip
Exhaust 2nd version as of 11/94	Standard size I 606 053 02 30	Grey cast iron without circlip
Exhaust 2nd version as of 11/94	Repair size I 606 053 03 30	Grey cast iron without circlip