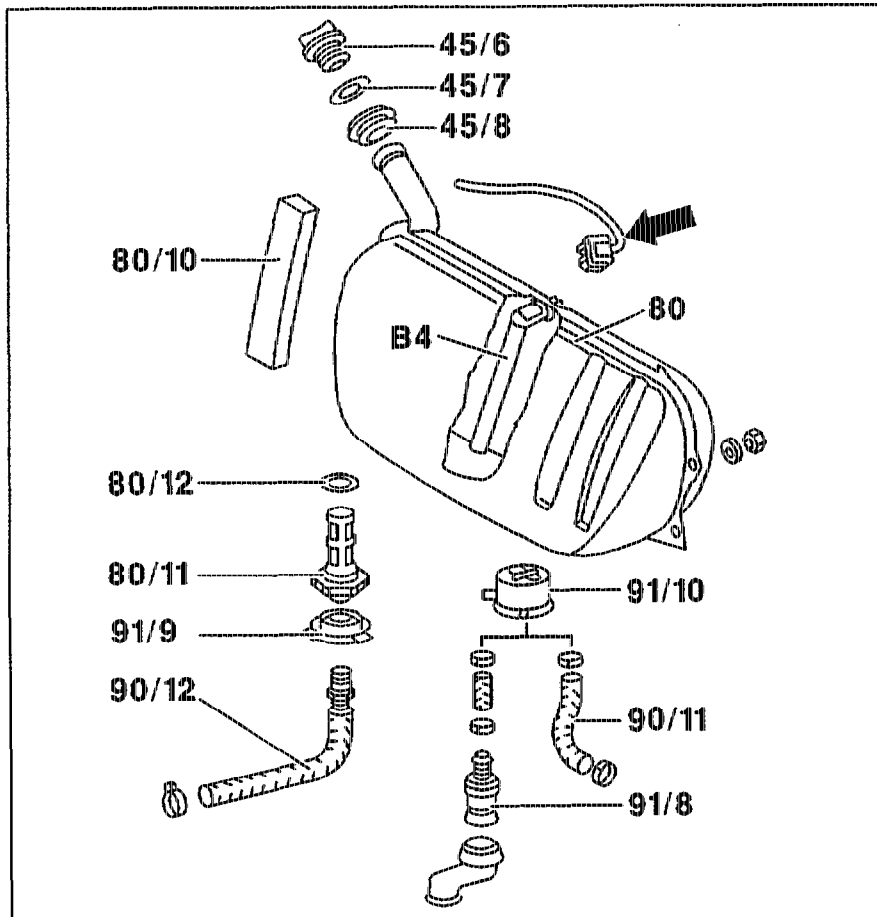


47-4100 Removing and installing fuel tank

Operation no. of operation texts and work units or standard texts
and flat rates:
47-4100

A. Sedan



P47-5163-37



Pay attention to safety precautions!

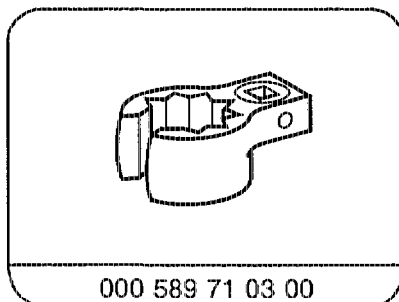
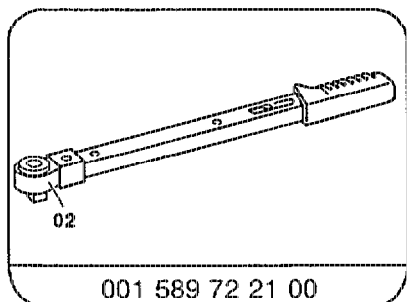
Ground cable at battery	disconnect, connect.
Fuel filler cap (45/6)	take off, fit on.
Seal (45/7)	examine, replace if necessary.
Coupling (arrow) for fuel gauge sender (B4)	pull off, fit on.

Fuel tank (80)	drain. Carefully pump out fuel so that no further fuel remains in the tank.
Cup seal (45/8)	remove, insert.
Trim of fuel tank as well as left and right side trim of trunk	remove, install.
Fuel suction hose (90/12), fuel return hose (90/11), vent valve (91/8)	take off, fit on. Collect remaining fuel. Seal connections. Check suitability for re-use. Ensure cup seals (91/9, 91/10) are correctly located. Tightening torque 30 Nm as reference value. Special tool 000 589 71 03 00.
Nuts of fuel tank (80)	unscrew, screw on. Use washers. Tightening torque 20 Nm.
Fuel tank (80)	remove, insert. Examine sound deadening strip (80/10), replace if necessary. To do this, stick on sound deadening strip with MB Universal Adhesive 000 989 92 71.
Fuel strainer (80/11)	remove, clean, check suitability for re-use, install. Tightening torque 40 Nm.
O-ring (80/12)	replace.
Leaktightness of all connection points	check with engine running.

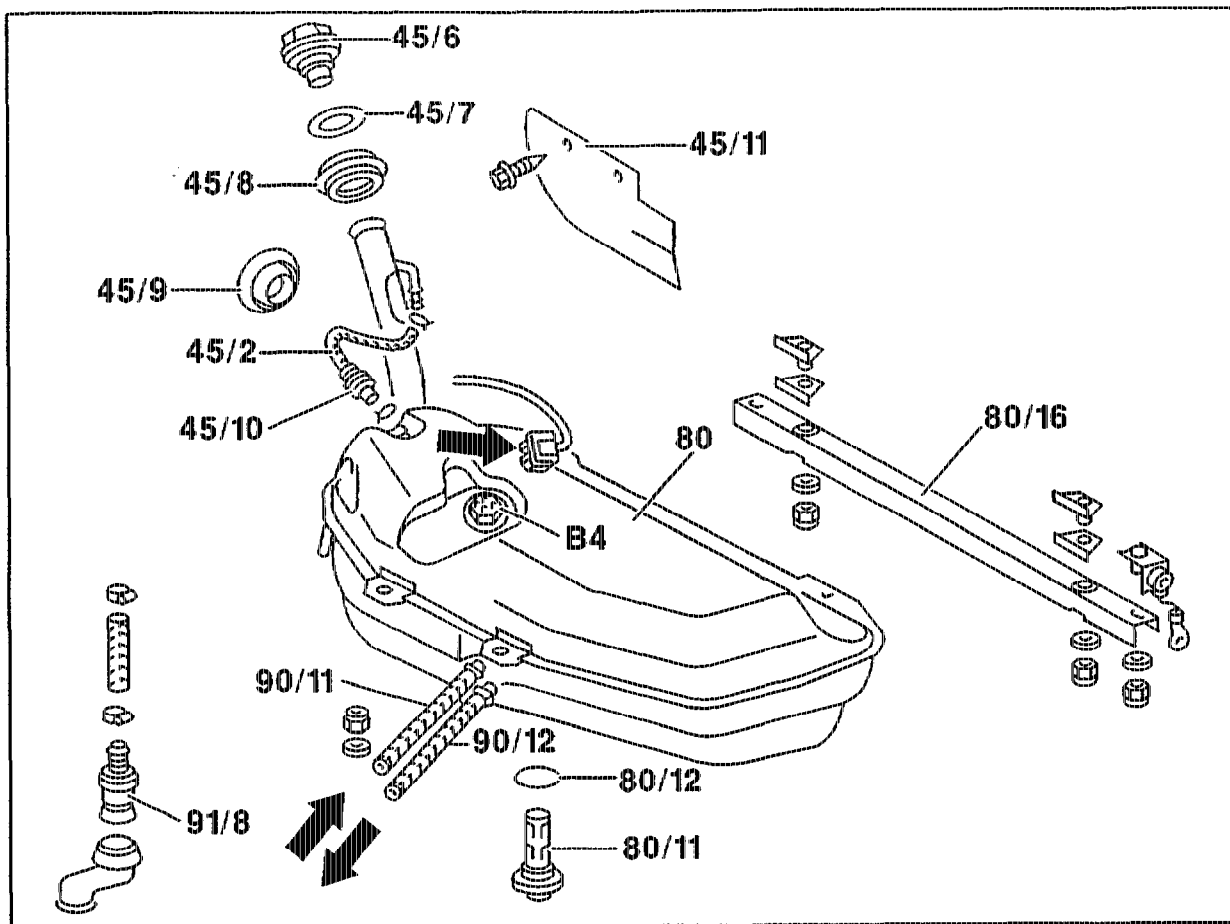
Note

Capacity about 70 liters.

Special tools



B. Station Wagon



P47-5164-57



Pay attention to safety precautions!

Ground cable at battery	disconnect, connect.
Fuel filler cap (45/6)	take off, fit on.
Seal (45/7)	examine, replace if necessary.
Coupling (arrow) for fuel gauge sender (B4)	unplug, plug in.
Fuel tank (80)	drain. Carefully pump out fuel so that no further fuel remains in the tank.

Note

Capacity about 72 liters.

Cup seals (45/8 and 45/9)	remove, insert.
Vent pipe (45/2)	remove, install.

Installation note

Preassemble vent pipe at fuel tank. Lay pipe so that it runs downhill, free of kinks. Ensure cup seal (45/10) is correctly located.

Fuel suction hose (90/12), fuel return hose (90/11),
vent valve (91/8)

take off, fit on. Collect remaining fuel. Seal
connections. Check suitability for re-use.

Exhaust system at the rear suspension points ...

detach, hang down and attach.

Splash guard (45/11) of filler neck

take off, fit on.


Bracket of level line (left-hand side)


take off, fit on.

U-rail (80/16)

remove, install. Replace self-locking nuts.
Tightening torque 30 Nm.

Fuel tank (80)


Support fuel tank when performing this step.
remove, insert.


When removing the fuel tank, ensure that the
connection fitting for the vent line (45/2) does
not catch on a line. Press exhaust and level line
to the left.

Fuel strainer (80/11)

remove, clean, check suitability for re-use and
install. Tightening torque 40 Nm.

O-ring (80/12)

replace.

Leaktightness of all connection points

check with engine running.

Special tool

