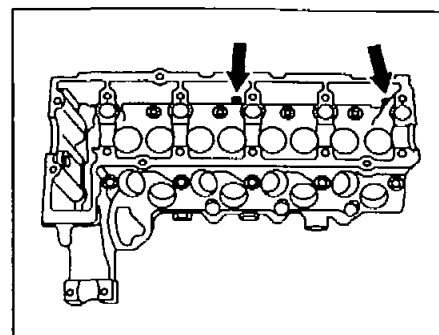


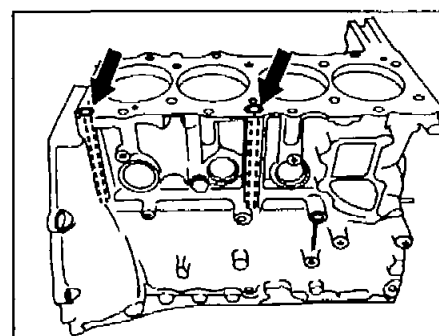
ENGINE 601

Oil return flow in cylinder head



P18.00-0405-01

Oil return flow in crankcase



P18.00-0407-01