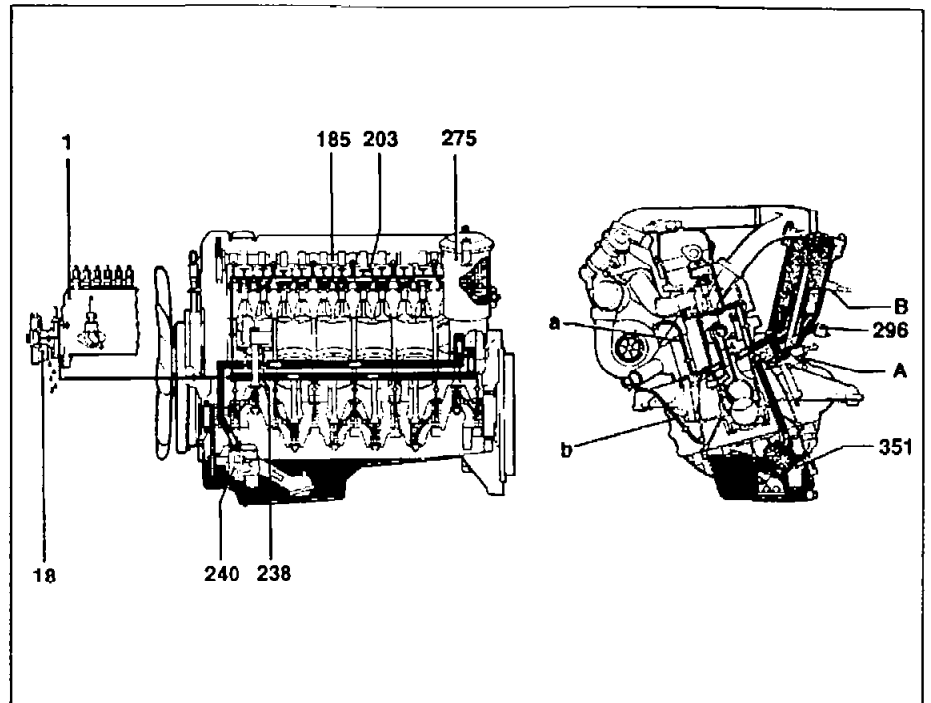


ENGINE 602.96, 603.96 /97

**Position on engines 602.96, 603.96/97
(turbo)**

- 1 Injection pump
- 18 Injection timing
- 185 Camshaft
- 203 Valve tappet
- 238 Oil spray nozzle
- 240 Oil pump
- 275 Oil filter
- 296 Oil pressure switch
- 351 Oil level sensor
- A Unfiltered oil to air-oil cooler
- B Unfiltered oil from air-oil cooler
- a To turbocharger
- b From turbocharger



P18.00-0409-06