

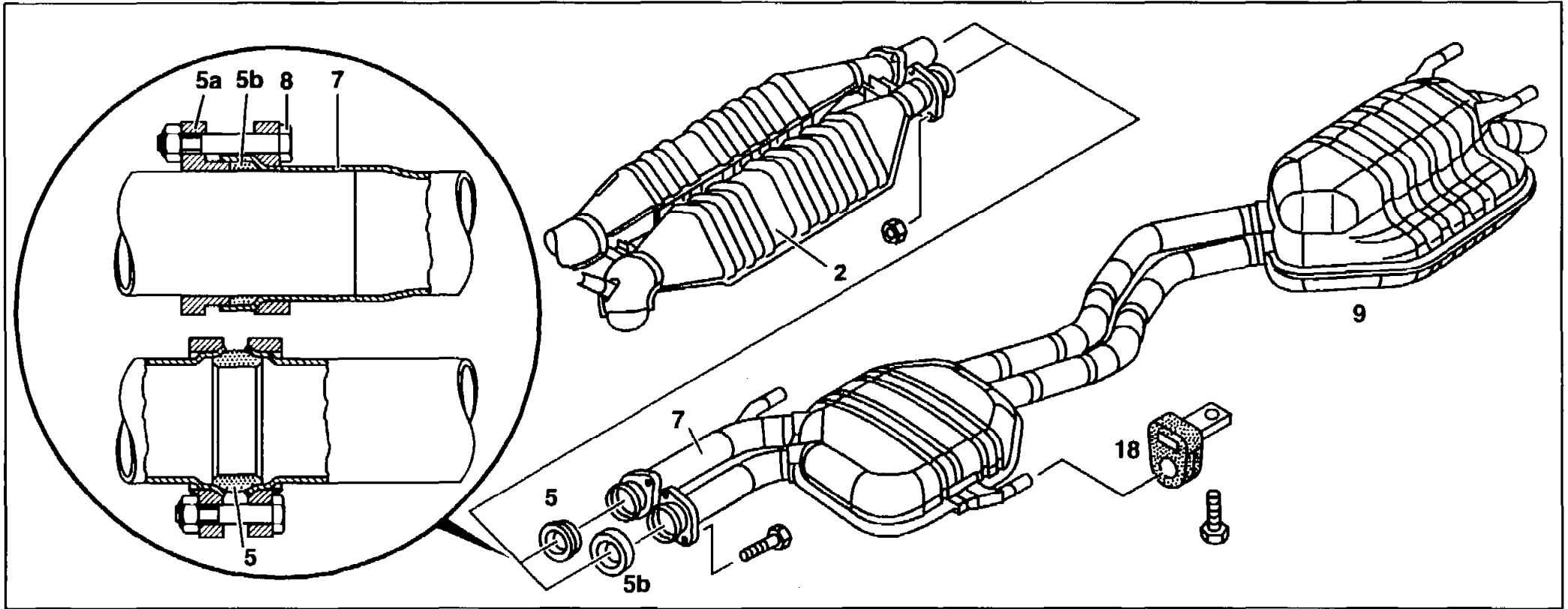
F7

AR49.10-P-7280FB

Removing and installing exhaust system downstream of flanged connection

5.7.94

**ENGINE 104, 119, 120
in MODEL 140**



P49.10-0225-08

| | | | |
|----------|--|------------|---------------------------|
| | <p>Removal, installation</p> | | |
| <p>1</p> | <p>Take off flanged connections at catalytic converter (2)</p> | <p> Nm</p> | <p>BA49.10-P-1002-01A</p> |



| | | | |
|---|--|---|--|
| 2 | Take off rubber bush (18) at center muffler (7) | | |
| 3 | Detach center and rear mufflers (7, 9) from rubber bushes (18) at rear muffler (9) | Check center and rear mufflers, if necessary: ↓ replace rear muffler replace center muffler | AR49.10-P-4951F L5 AR49.10-P-4945F J5 |
| | Checking | | |
| 4 | Check whether flanges (5a), graphite seals (5b) can be re-used | replace, if necessary | |
| 5 | Check rubber bushes (18) | replace, if necessary | |
| 6 | Install in the reverse order | | |

Exhaust system

| Number | Designation | | Engine 104, 120 | Engine 119 |
|--------------------|-------------------------------------|----|--------------------|------------|
| BA49.10-P-1002-01A | Flanged connection to exhaust pipes | Nm | 20 | 20 |