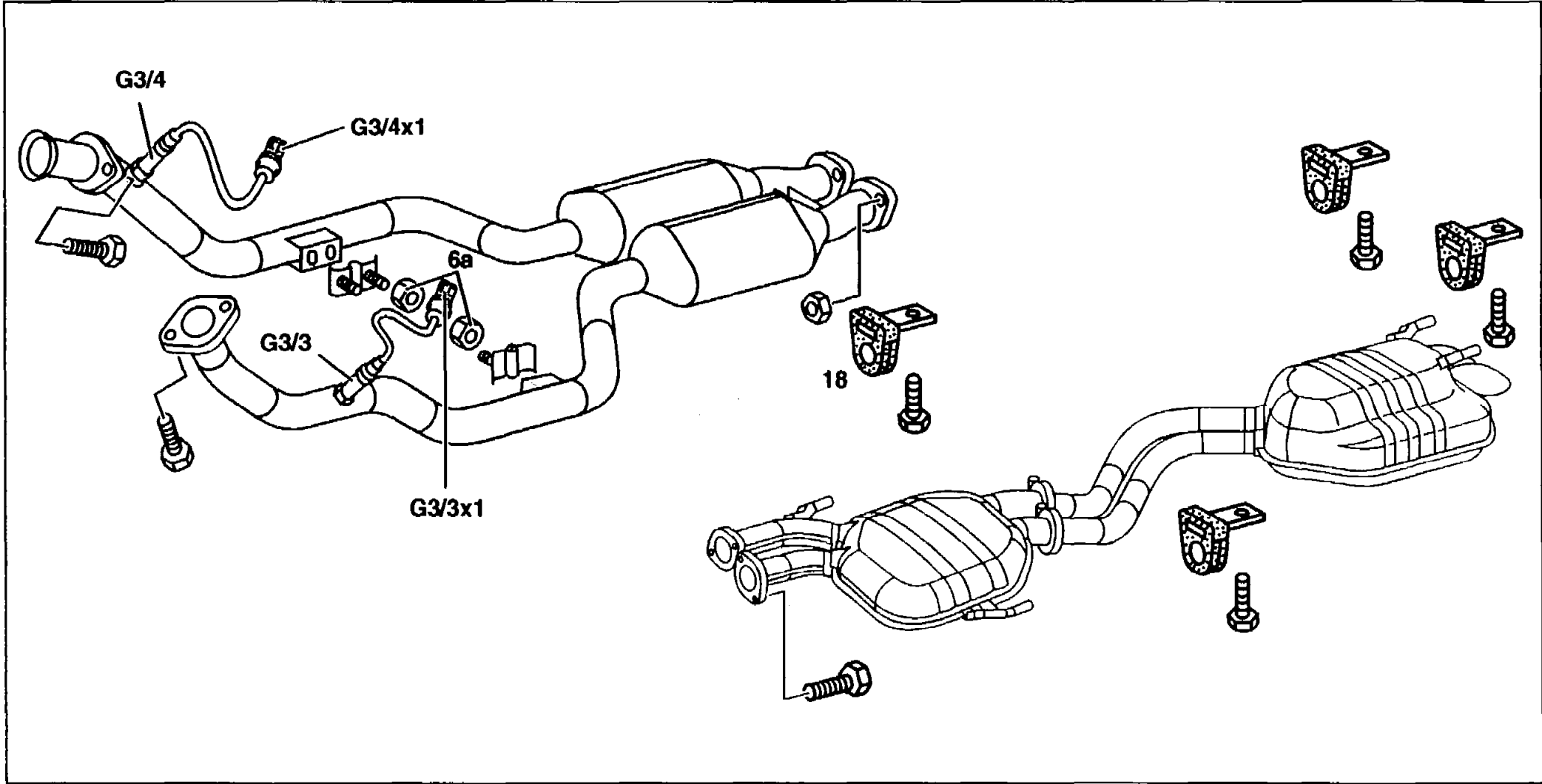







L6 AR49.10-P-7000EA	Removing and installing complete exhaust system	13.9.95
------------------------	---	---------

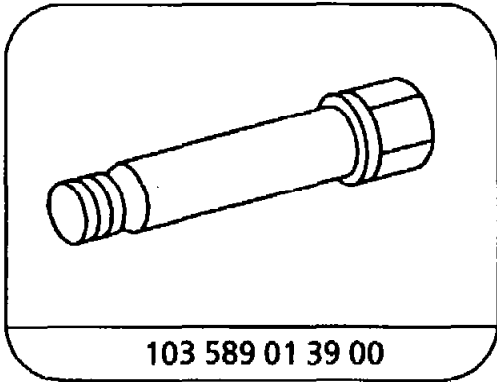
ENGINE 119.985



	Removal, installation		
1	Remove bottom engine compartment panel, fit on		
2	Unplug connectors of O ₂ sensors (G3/3x1, G3/4x1)		
3	Separate flanged joints of exhaust manifold/catalytic converter or front exhaust system	 If bolts are tight or thread damaged: ↓ Replace rivet nuts in exhaust manifold	BA14.10-P-1002-01B AR49.10-P-5531-01DA F17
4	Unscrew nuts (6a) at left and right supports		
5	Detach rubber pads (18)		WH58.30-P-1001-19A
6	Take off complete exhaust system		
	Checking		
7	Check rubber pads (18)	Replace if necessary	
8	Install in the reverse order		

 Exhaust manifold

Number	Designation	Engine 119
BA14.10-P-1002-01B	Flange joint of exhaust manifold or front exhaust pipes	Nm 20



Caulking screw

Commercially available tools (see Workshop Equipment Manual)

Number	Designation	Make (e.g.)	Order number
WH58.30-P-1001-19A	Hook wrench	Hazet	2184-2