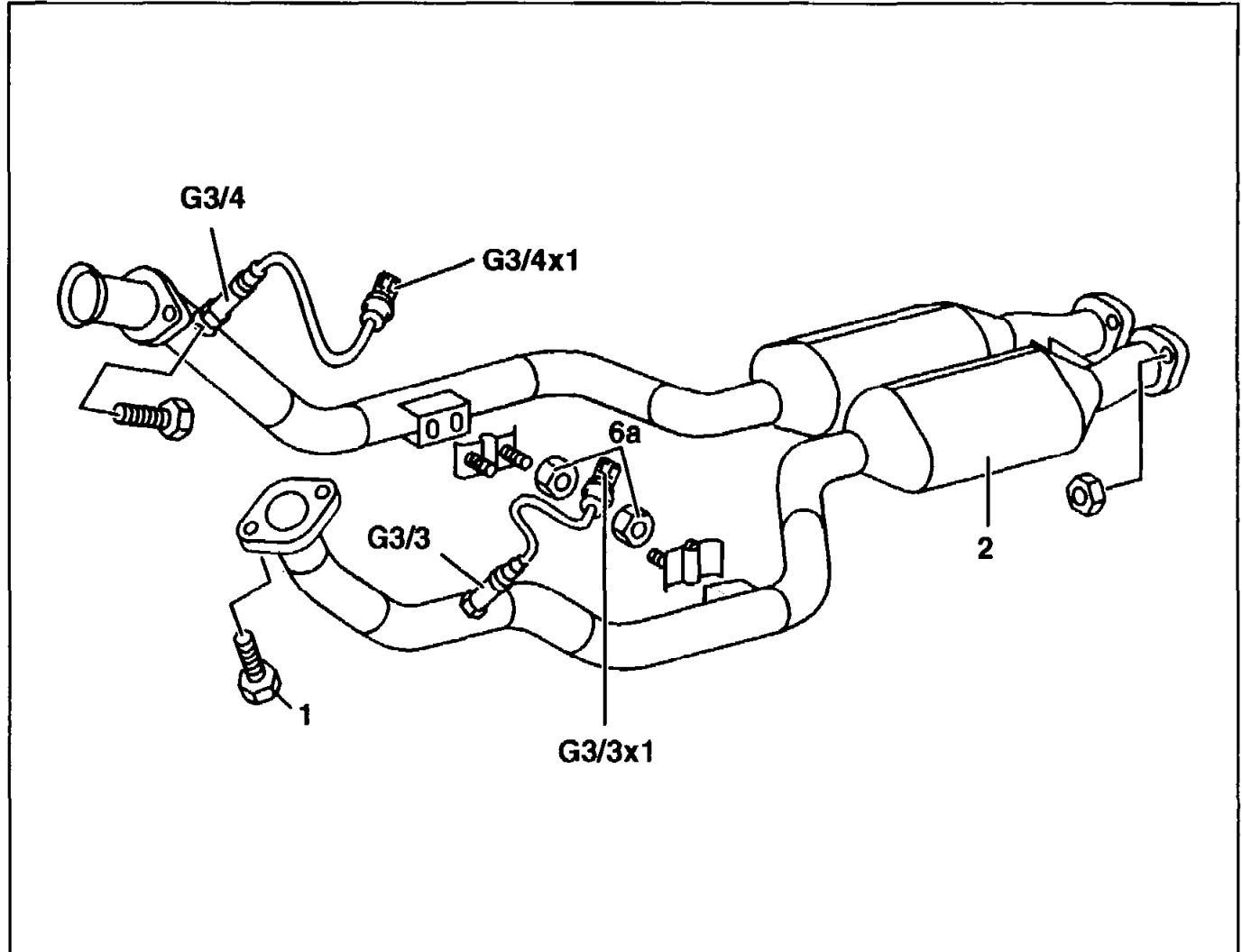





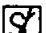


| | | | |
|----|------------------|---|--------|
| C6 | AR49.10-P-5531EA | Removing, replacing, installing catalytic converter/front section of exhaust system | 3.8.95 |
|----|------------------|---|--------|

ENGINE 119.985





|   | Removal, installation | | |
|--|--|---|--|
| 1 | Remove bottom engine compartment panel, fit on | | |
| 2 | Remove exhaust system downstream of flanged connection, install | | |
| 3 | Unplug connectors of O ₂ sensors (G3/3x1, G3/4x1) | | |
| 4 | Unscrew bolts (1) at flanged joint of catalytic converter/exhaust manifold | If bolts are tight or thread damaged: ↓ Replace rivet nuts in exhaust manifold  | AR49.10-P-5531-01DA F17 BA14.10-P-1002-01B |
| 5 6 | Unscrew nuts (6a) and take off catalytic converter (2) Unbolt O ₂ sensors (G3/3, G3/4) |  Installation: coat thread of oxygen sensor with hot lubricating paste   | BR00.45-P-1006-06A BA14.00-P-1001-01A 000 589 71 03 00 |
| 7 | Install in the reverse order | | |

Nm Oxygen sensor

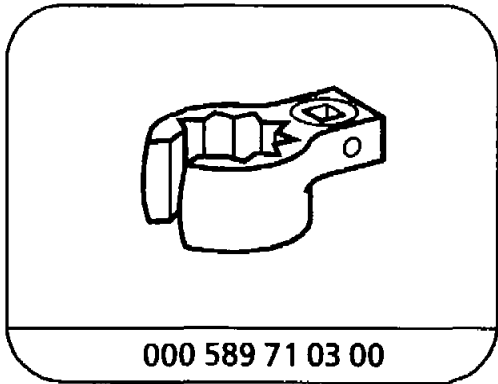
| Number | Designation | Engine 119 |
|--------------------|--|------------|
| BA14.00-P-1001-01A | Oxygen sensor to exhaust pipe/ exhaust manifold | Nm 55 |

Nm Exhaust manifold

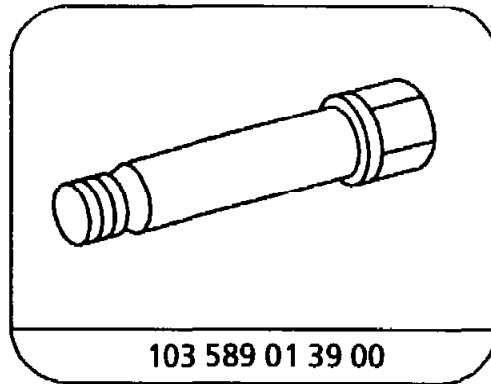
| Number | Designation | Engine 119 |
|--------------------|---|------------|
| BA14.10-P-1002-01B | Flanged joint of exhaust manifold or front exhaust pipes | Nm 20 |

Repair product

| Number | Designation | Order number |
|--------------------|-----------------------|---------------|
| BR00.45-P-1006-06A | Hot lubricating paste | 000 989 76 51 |



Box wrench socket



Caulking screw