

E5

AR49.10-P-4940EB

Replacing center and rear muffler

11.8.94

ENGINE 119.974
in MODEL 124.036

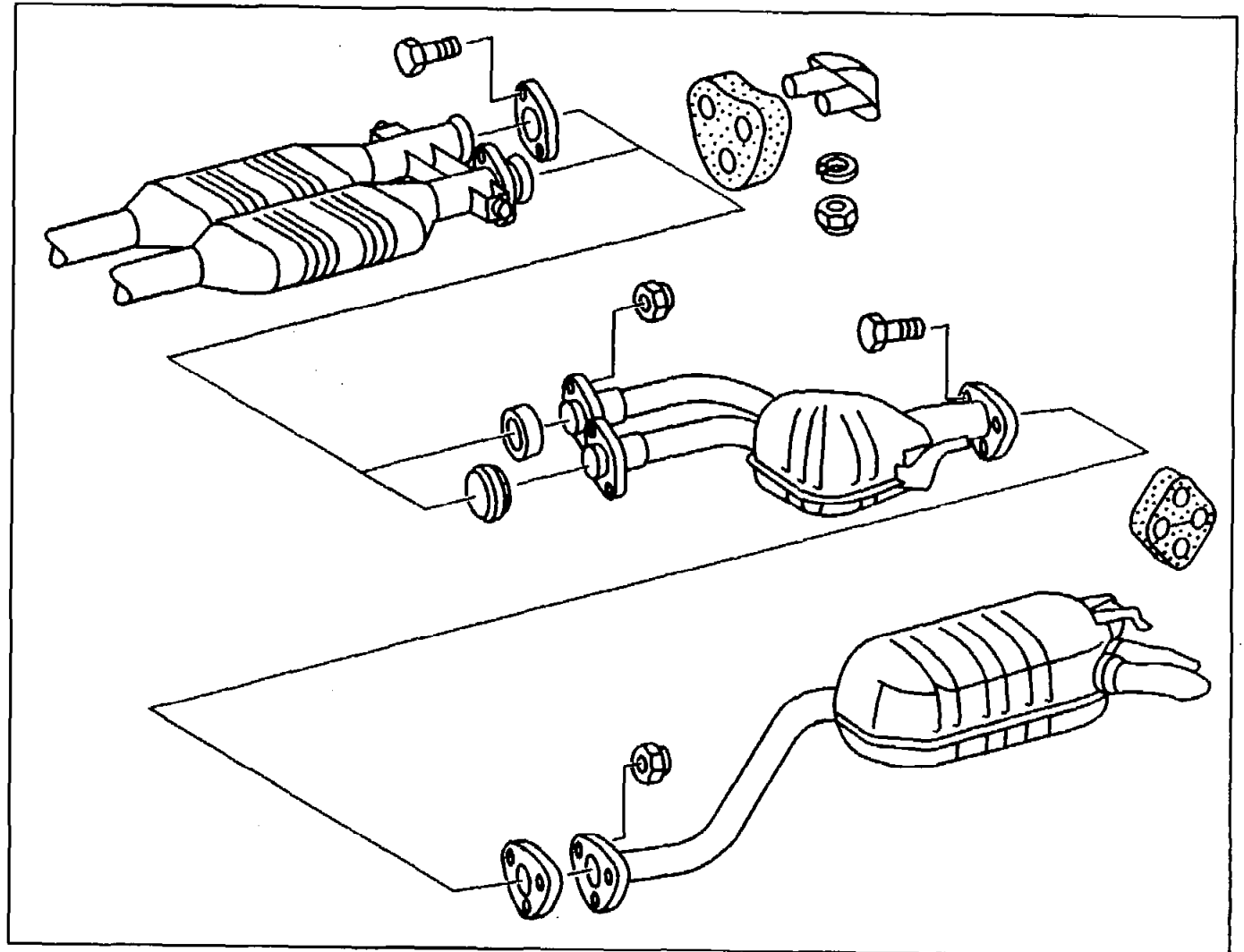




Fig. item, etc.	Work instructions		
	Remove exhaust system downstream of flanged connection		AR49.10-P-7280EA 06
	Center and rear muffler	are flanged	