

P6

AR14.10-P-3915G

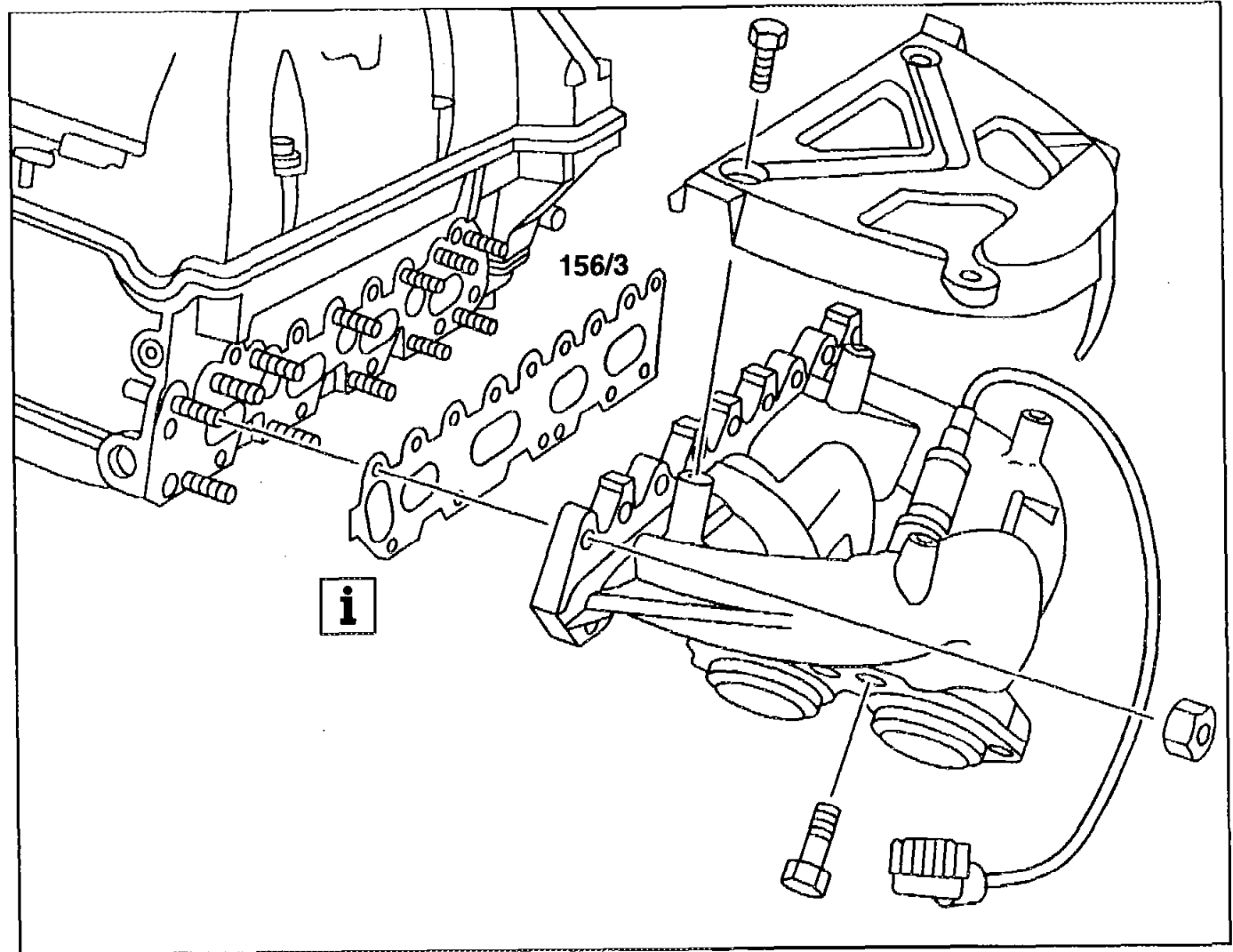
Removing and installing exhaust manifold

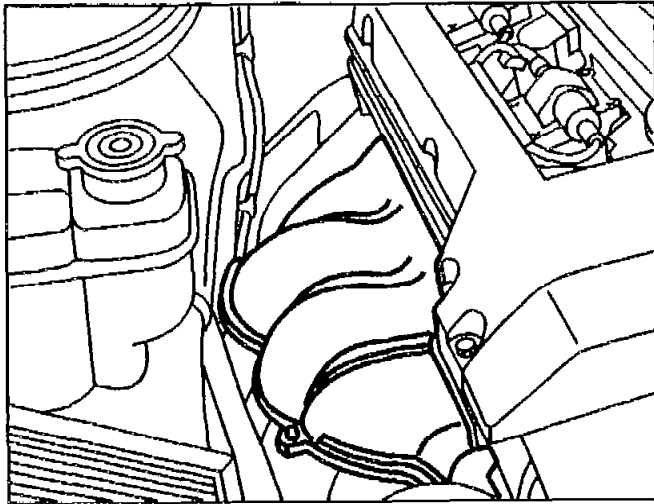
3.8.94

ENGINE 104.94 /99, 111.920 /921 /940 /943 /944 /945 /946 /947 /96 /970 /973 /974 /975 /977 (except , 104.990)

Shown on engine 111.940

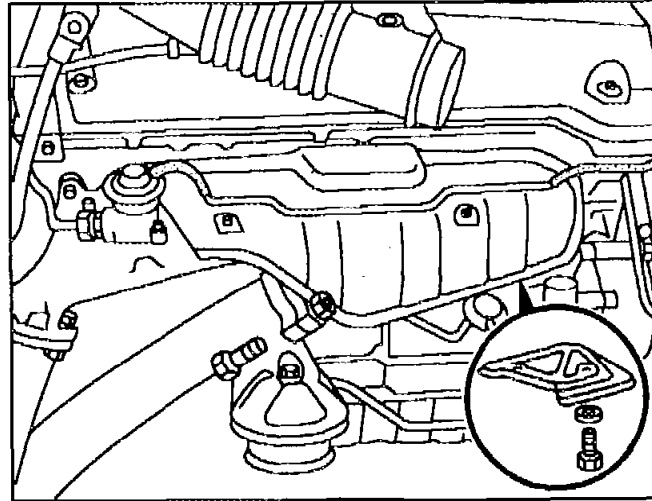
156/3 Gasket





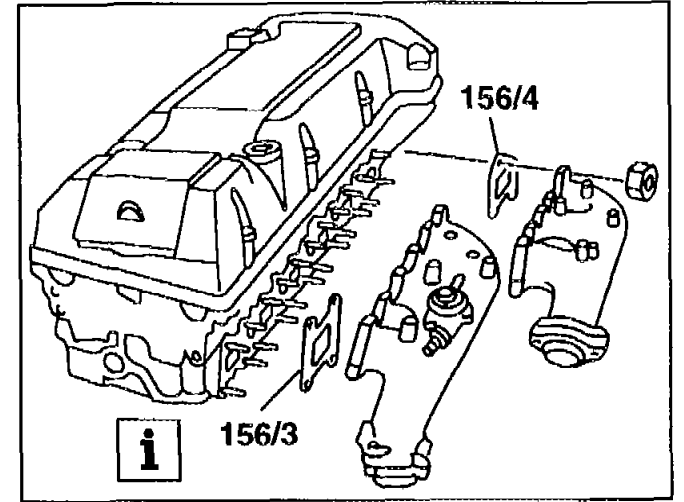
P14.10-0215-01

Engine 111.942/962/970



P14.10-0202-01

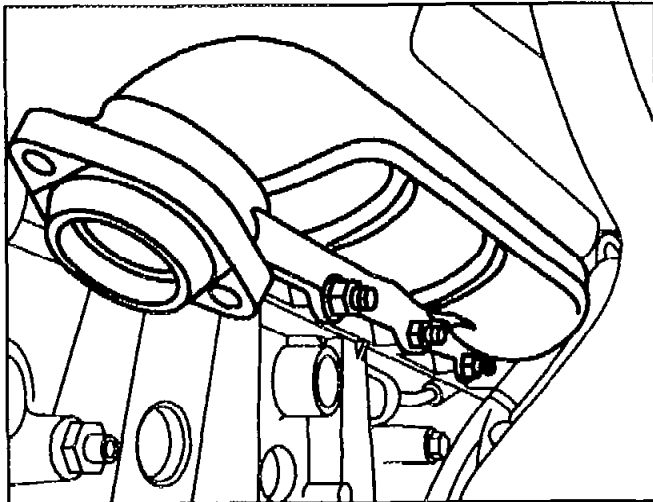
Engine 104



P14.10-0203-01

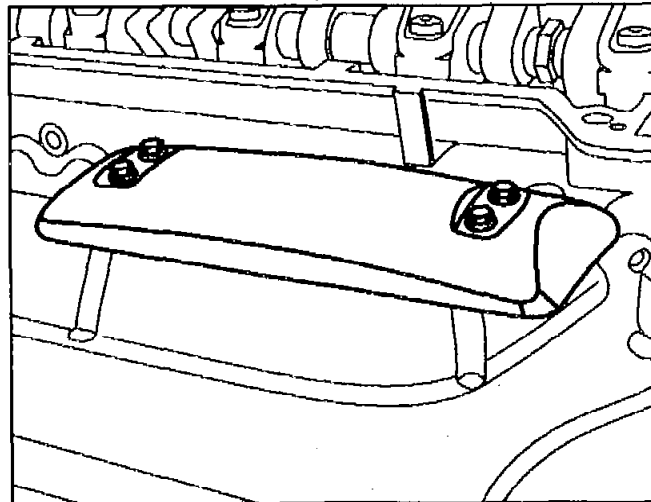
156/3 Gasket

156/4 Gasket



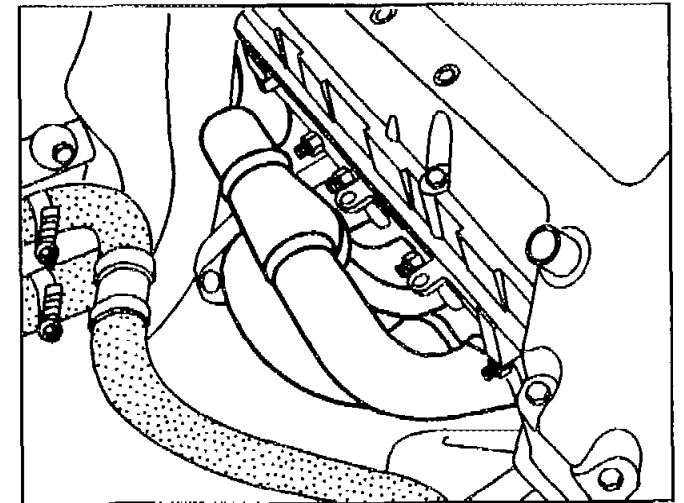
P09.50-0210-01

Engine 111.944



P09.50-0223-01

Heat shield

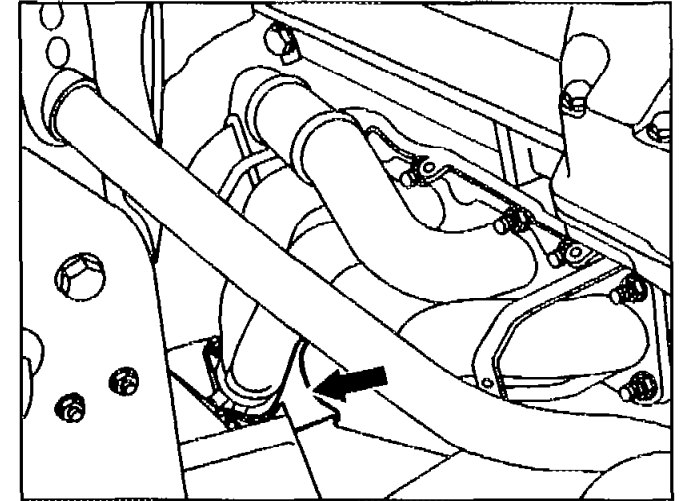


P14.10-0229-01







Engine 111.943/946/973

**Engine 111.945/947/975/977**

Arrow Exhaust manifold bracket



P14.10-0243-01

Fig. item, etc.	Work instructions		
	Remove lambda sensor, install	<b>Engine 111</b>	AR14.00-P-5303D <b>L6</b>
	Remove suction connection at compressor, install	<b>Engine 111.943/947/973/975</b>	AR09.50-P-8821A <b>F6</b>
	Replace rivet nuts in exhaust manifold	If necessary	AR49.10-P-5531-01DA <b>N16</b>
156/3, 156/4	Gasket	 <b>Installing:</b> apply dots of sealing compound to facilitate installation.	BR00.45-Z-1012-01A
		 <b>Engine 104:</b> insert gaskets with metal side facing toward cylinder head	
Arrow	Exhaust manifold bracket	<b>Engine 111 in model 163, 208</b>	
 <b>BT</b>	Exhaust manifold in a double-wall design		BT14.10-P-9404-01G <b>O17</b>

**Repair product**

Number	Designation	Order number
BR00.45-Z-1012-01A	Exhaust sealing compound	001 989 25 20