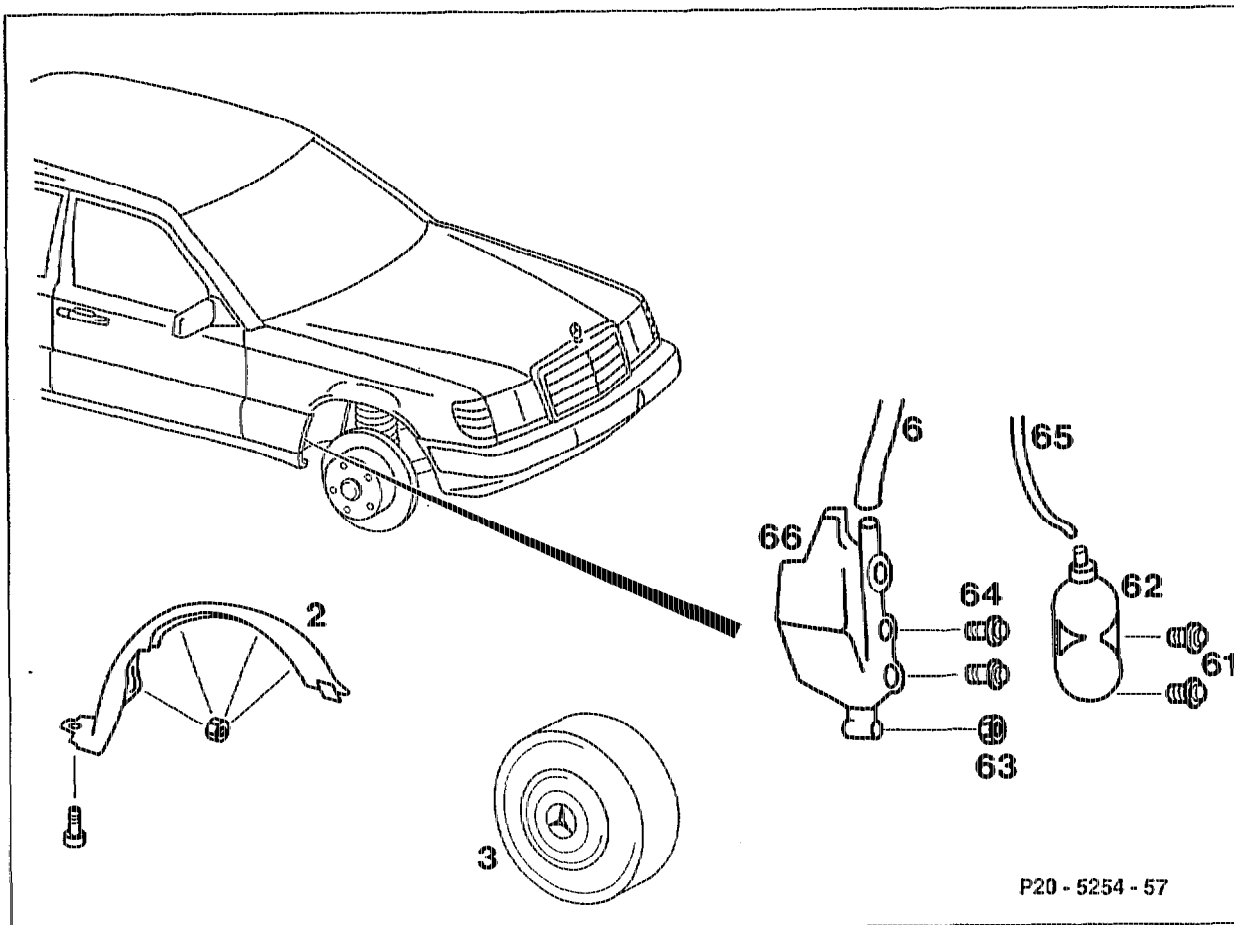


20-4540 Removing and installing overflow reservoir

Operation no. of operation texts and work units or standard texts
and flat rates:
20-5411

A. Model 124

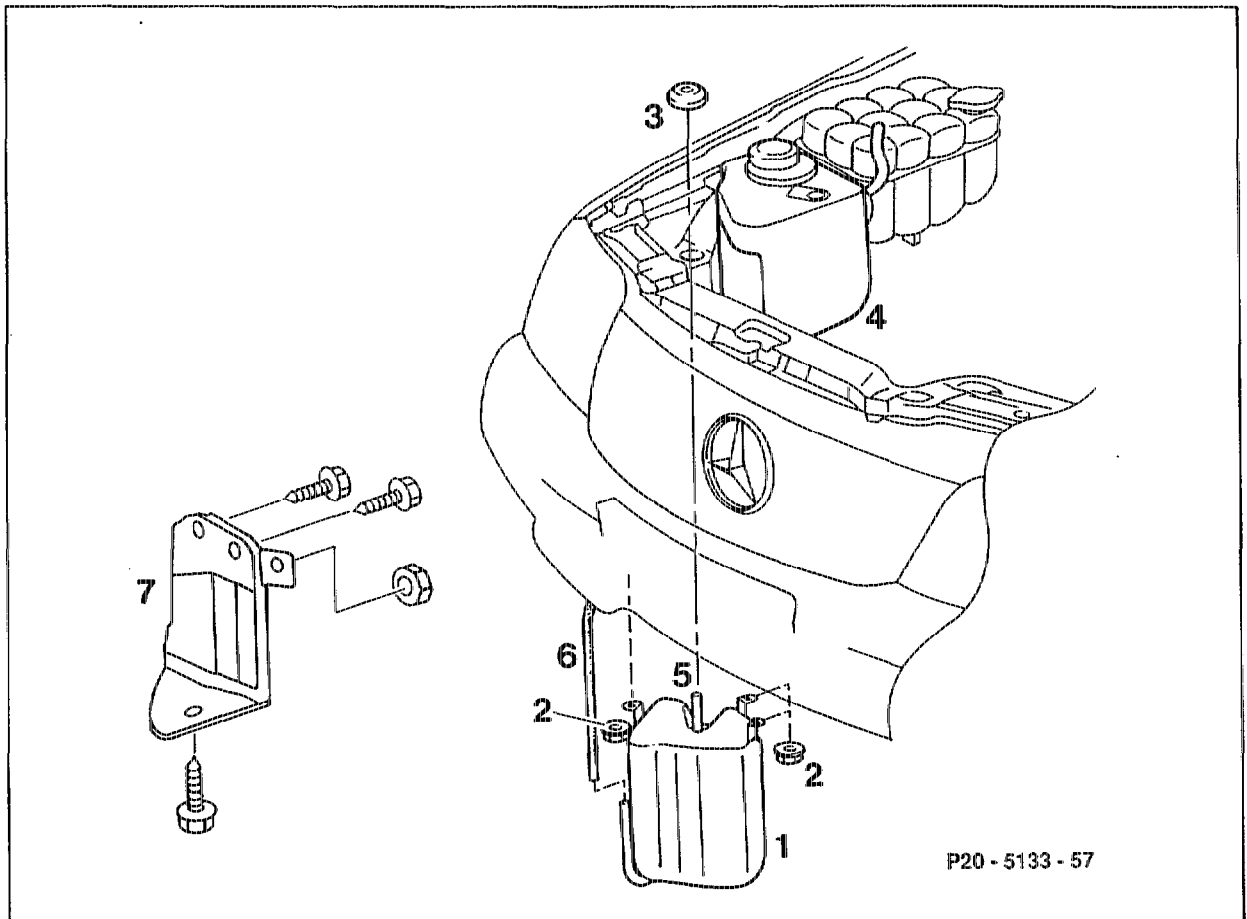


P20 - 5254 - 57

Front right wheel (3)	take off, fit on.
Partition (2) below front fender	remove, install.
Bolts (61)	unscrew, screw on.
Vacuum hose (65)	detach, fit on.
Vacuum reservoir (62)	remove, install.
Nut (63) and bolts (64)	unscrew, screw on.
Coolant hose (6)	pull off, fit on.
Overflow reservoir (66)	remove, install.

B. Model 129

Operation no. of operation texts and work units or standard texts
and flat rates:
20-5411



Vehicle	drive onto lift platform or inspection pit.
Front right panel (7)	remove, install.
Coolant hose (6) at overflow reservoir	pull off, install.

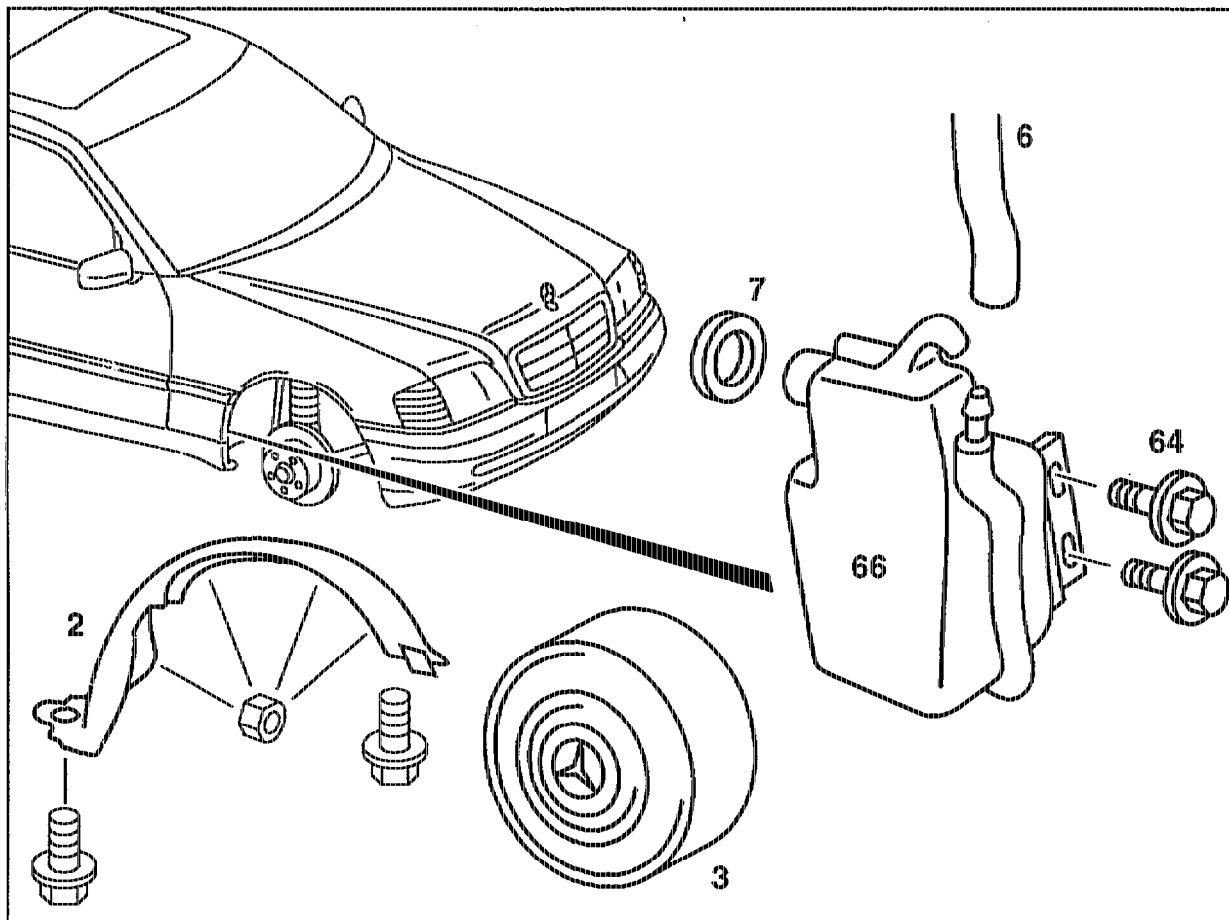


When removing the overflow reservoir (1), protective cap (3) of air admission connection (5) remains lying at top next to spray water reservoir (4).

Overflow reservoir (1)	remove, install.
Protective cap (3)	fit on.

C. Model 202

Operation no. of operation texts and work units or standard texts
and flat rates:
20-5411



P20-5321-57

Front right wheel (3)	take off, fit on.
Partition (2) below front fender	remove, install.
Bolts (64)	unscrew, screw on.
Coolant hose (6)	pull off, fit on.
Overflow reservoir (66)	remove, install.



Pay attention to rubber mount (7).

