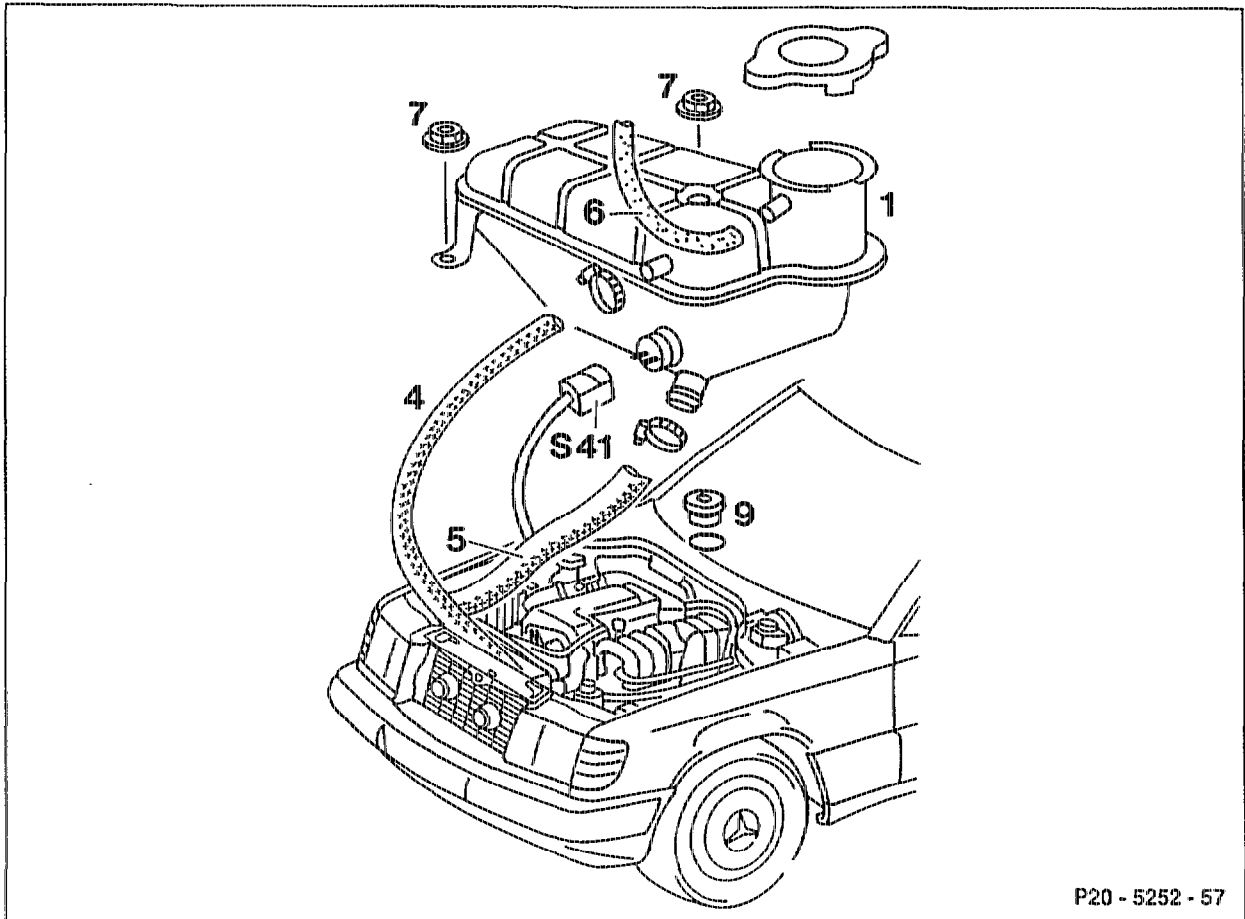


20-4500 Removing and installing expansion reservoir

Warning instructions when hood open (01-0085).

Operation no. of operation texts and work units or standard texts and flat rates:
20-4950

A. Model 124



P20 - 5252 - 57

Cap of expansion reservoir (1)	open, release pressure (20-0100).
Coolant	drain (until expansion reservoir is empty), pour in (20-0100).
Plug of connector (S41) of coolant level indicator	remove, insert.
Coolant hoses (4), (5)	take off, fit on.
Coolant hose (6) to overflow tank	pull off, fit on.
Nuts (7)	unscrew, screw on.
Expansion reservoir (1)	remove, install.

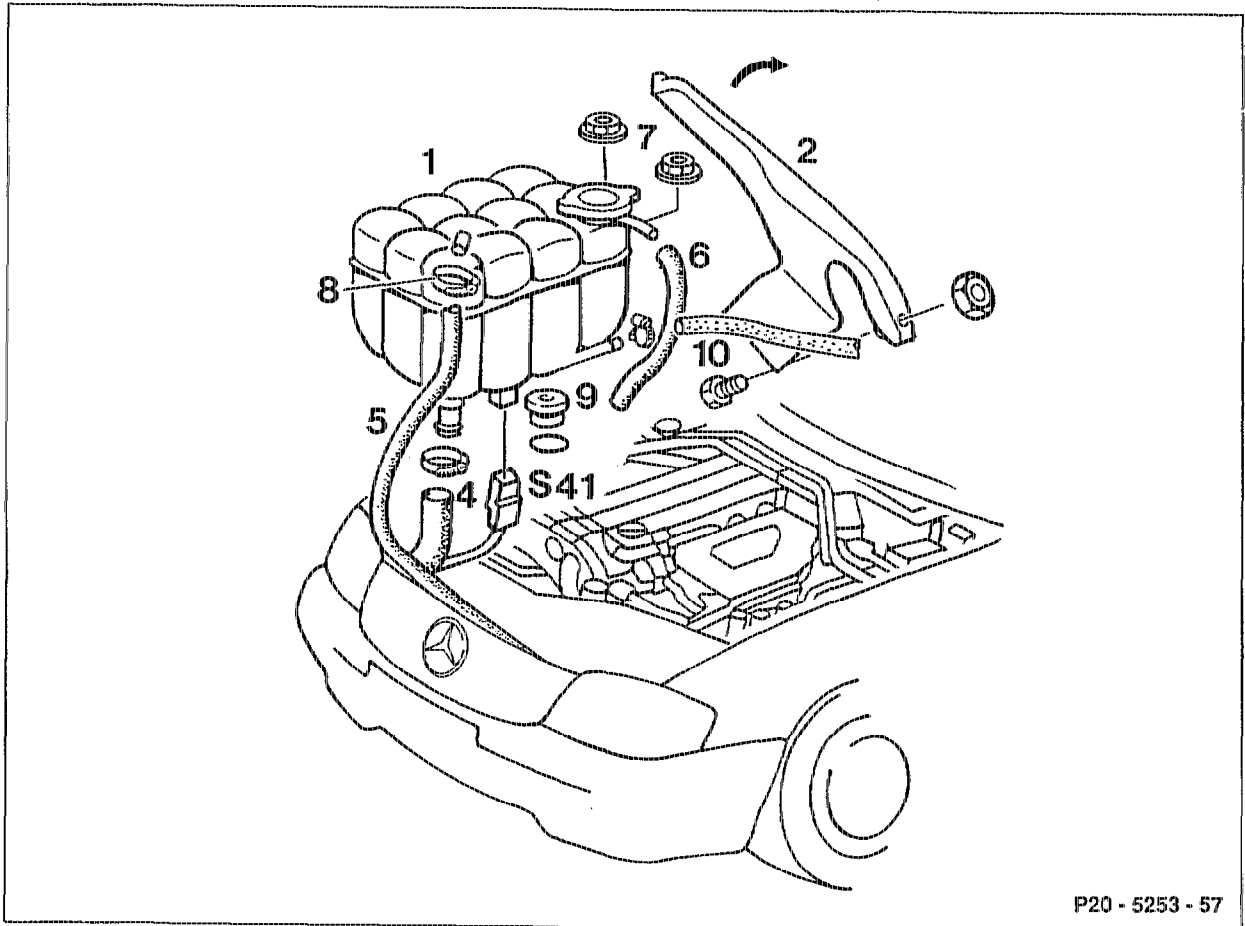


Pay attention to rubber mount (9) of expansion reservoir (1).

B. Models 129, 140

Warning instructions when hood open (01-0085).

Operation no. of operation texts and work units or standard texts and flat rates:
20-4950



P20 - 5253 - 57

Model 129

Cap of expansion reservoir (1)	open, release pressure (20-0100).
Coolant	drain (until expansion reservoir is empty), pour in (20-0100).
Model 129:	unbolt cover (2), raise, install.
Plug of connector (S41) of coolant level indicator	remove, insert.
Coolant hoses (4), (5)	detach, fit on.
Model 129:	detach coolant hose (6) to overflow tank, install.
Model 129:	take off vent line (10) (if fitted), fit on; see note.
Nuts (7)	unscrew, screw on.
Expansion reservoir (1)	remove, install.



Pay attention to rubber mount (9) of expansion reservoir (1).

Note re model 129

As of vehicle ident end no. 001 950 an expansion reservoir with the identification 129 500 03 49 (previously 129 500 01 49) on the top of the reservoir has been installed. This reservoir has a modified vent connection which improves the venting of the cooling system.

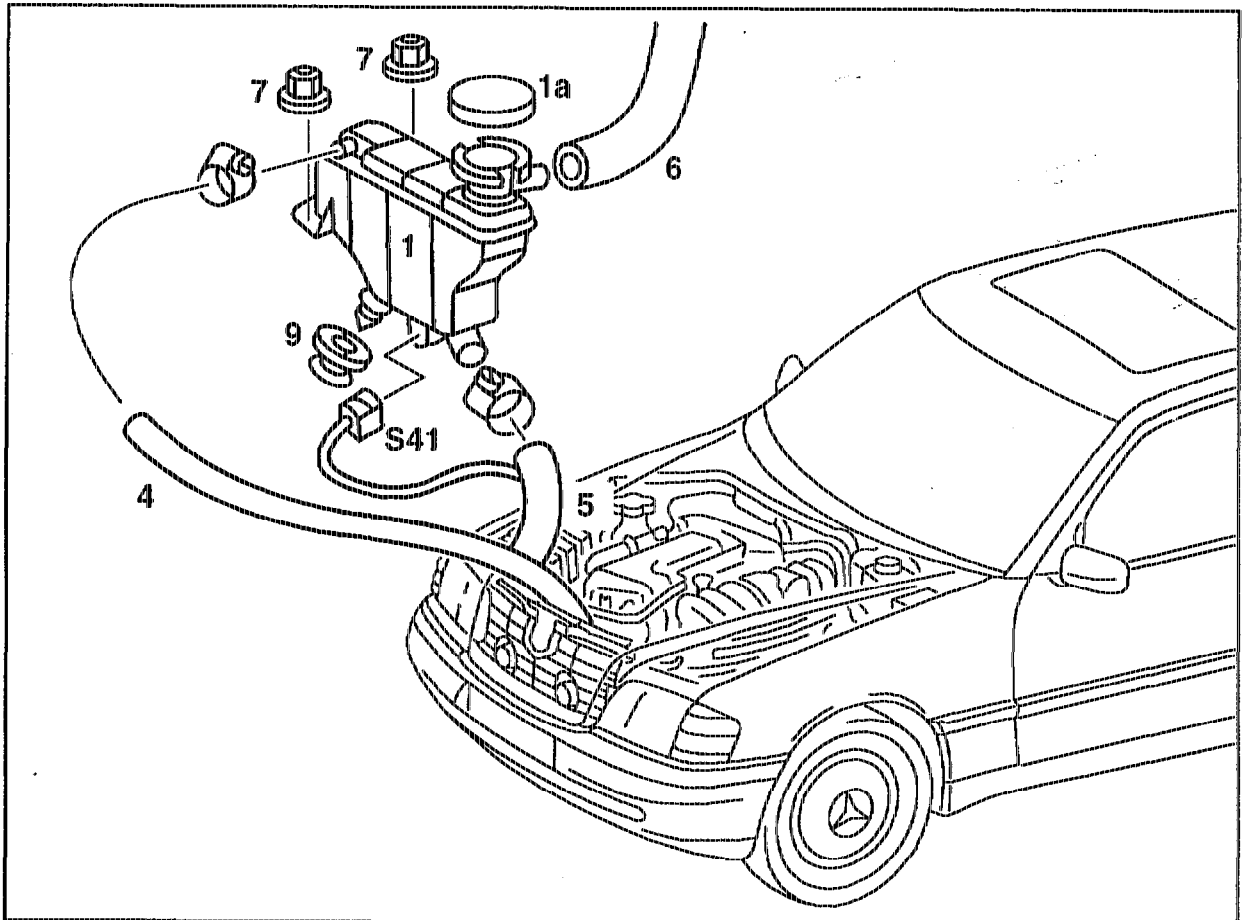
When performing repairs, install this reservoir.

As of vehicle ident end no. 022 921 an expansion reservoir with a vent line to the heating system has been installed.

C. Model 202

Preceding work:
Warning instructions when hood open (01-0085).
Air cleaner removed (09-1051).

Operation no. of operation texts and work units or standard texts
and flat rates:
20-4950



P20-5320-57

Cap (1a) on expansion reservoir (1)	open, release pressure (20-0100).
Coolant at radiator	drain (until expansion reservoir is empty) (20-0100).
Plug of connector (S41) of coolant level indicator	remove, insert.
Coolant hoses (4), (5) and (6)	take off, fit on.
Nuts (7)	unscrew, screw on.
Expansion reservoir (1)	remove, install.



Pay attention to rubber mount (9) of expansion reservoir (1).

Coolant	pour in (20-0100).
---------------	--------------------