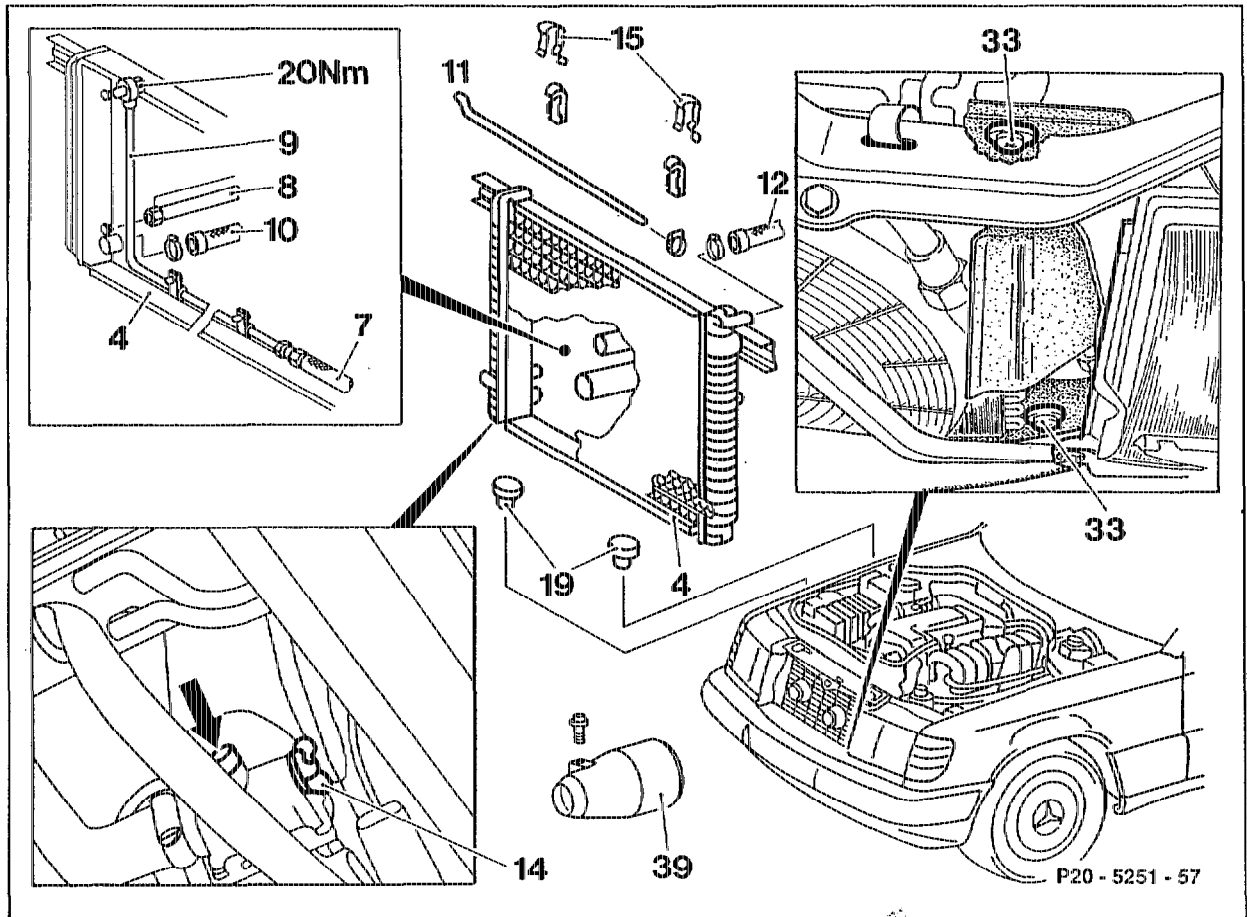


20-4200 Removing and installing radiator

Preceding work:
Fan shroud removed (20-3400).

Operation no. of operation texts and work units or standard texts
and flat rates
20-3865-4535

A. Model 124



Coolant at radiator	drain (20-0100).
Air scoop (39)	take off, fit on.
Clips (33) of radiator cover	take off, fit on.

If automatic transmission fitted:	unbolt oil pipes (7) and (8), bolt on (20 Nm).
Coolant hoses (10), (11) and (12)	take off, fit on.
Flat shaped springs (15)	pull off upward, fit on.
Radiator (4)	remove upward, install.

Note

The securing studs of the radiator must be inserted into the rubber pads (19) of the bottom cross member when installing.

Cooling system	fill, bleed (20-0100).
If automatic transmission fitted:	check oil level, adjust to correct level.
Leaktightness	check.

Tightening torques in Nm

Hose of automatic transmission fluid to radiator (union nut)	20
Hose clips (reference value)	2.5
Drain plug of radiator (reference value)	1.5

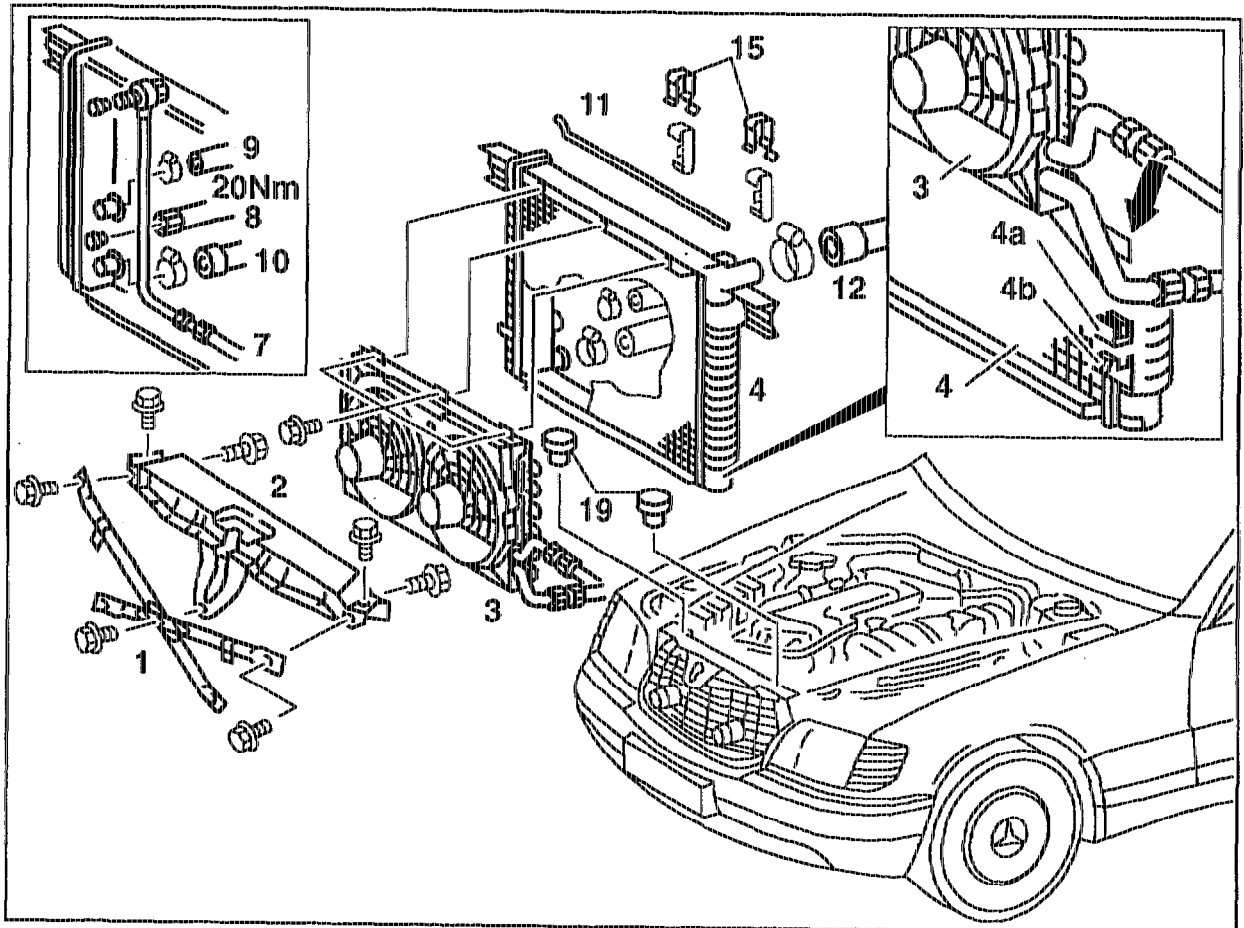
Commercially available tool

7 mm wrench socket hexagon on flexible shaft for hose clip with worm drive	e. g. Hazet, 42853 Remscheid Order no. 426-7
--	--

B. Model 129

Preceding work:
Fan shroud removed (20-3400)

Operation no. of operation texts and work units or standard texts
and flat rates:
20-3865-4535



P20-5327-57

Coolant at radiator	drain (20-0100).
Coolant hoses (9), (10), (11) and (12)	take off, fit on.
If automatic transmission fitted:	unbolt oil lines (7) and (8), bolt on (20 Nm).
Air scoop	remove, install.
Strut (1) and cross member (2)	unbolt, bolt on.
If AC fitted:	detach bracket, air conditioner line at front, bottom left, bolt on.
If AC fitted:	unbolt condenser (3) at radiator (4), bolt on.

Condenser (3)	raise, lift out of mounts (4b) at radiator (4).
	Note
	Push both rubber mounts (4a) onto condenser (3) at bottom (arrow), stick on.
	When installing radiator, raise condenser (3) and insert into mounting plate (4b) at radiator (4).
Radiator (4)	remove upward, install.
	Note
	The securing studs of the radiator must be inserted into the rubber pads (19) of the bottom cross member.
Cooling system	fill (20-0100).
If automatic transmission fitted:	check oil level, adjust to correct level.
Cooling system	check for leaks (20-0170).

Tightening torques in Nm

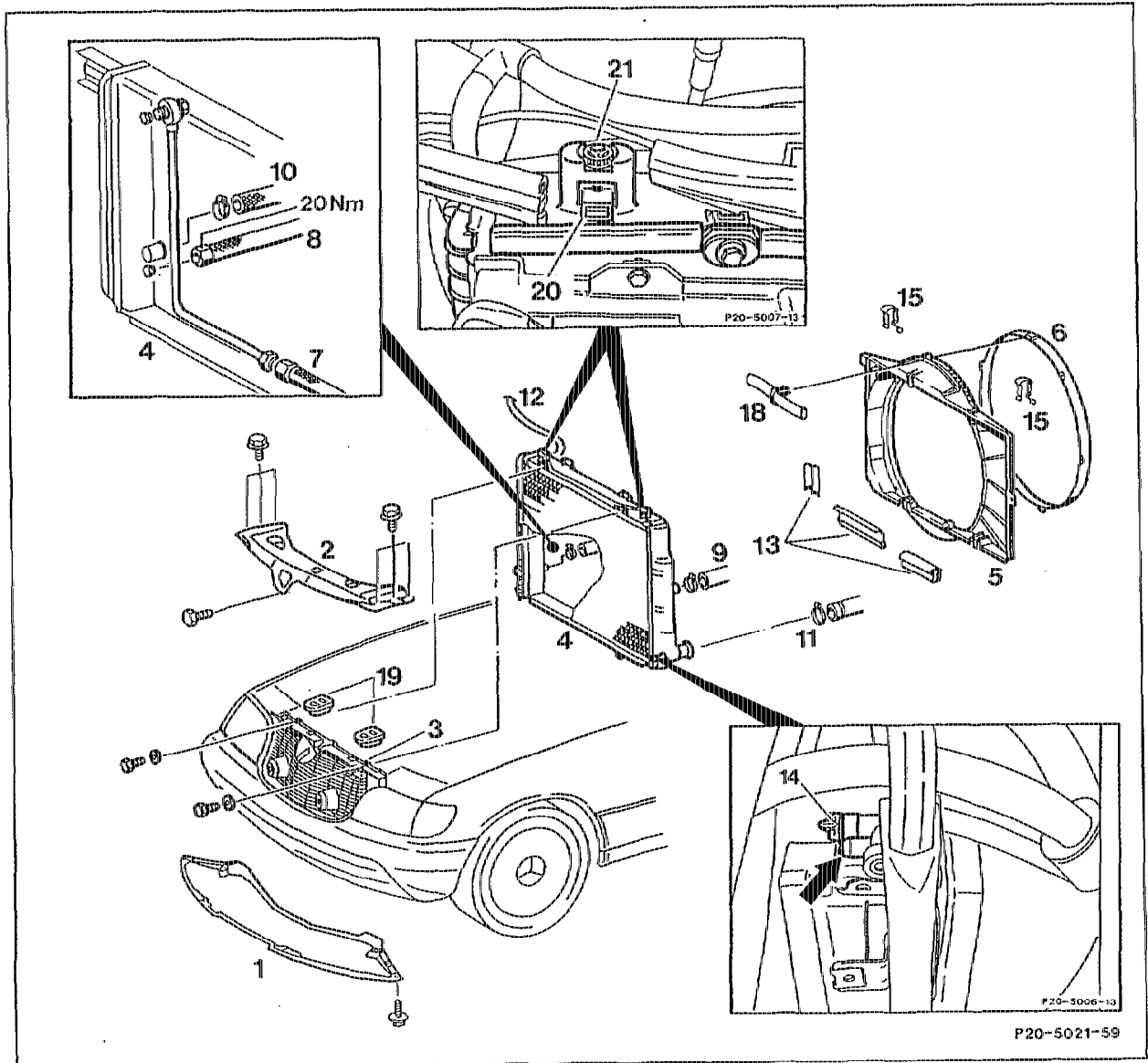
Hose of automatic transmission fluid to cooler (union nut)	20
Hose clips (reference value)	2.5
Drain plug of radiator (reference value)	1.5

Commercially available tool

7 mm wrench socket hexagon on flexible shaft for hose clip with worm drive	e. g. Hazet, 42853 Remscheid Order no. 426-7
--	--

C. Model 140

Operation no. of operation texts and work units or standard texts
and flat rates:
20-3865-4535



- | | |
|--|--|
| Fan shroud (5) | remove (20-3400). |
| Coolant at radiator (4) | drain (20-0100). |
| Coolant hoses (9), (10), (11) and (12) | take off, fit on. |
| If automatic transmission fitted: | unbolt oil pipes (7) and (8) at radiator (4), bolt on (20 Nm). |
| Air scoop | remove, install. |

Plastic strips (13) at radiator (4)	pull off, fit on.
Bowden cable of hood lock at radiator (4)	detach, attach.
If AC fitted:	unbolt radiator (4) at condenser (3), bolt on.
Radiator (4)	remove upward, install.

Note

The securing studs of the radiator must be inserted into the rubber pads (19) of the bottom cross member.

Fan shroud (5)	install (20-3400).
Upper frame cross member (2)	bolt on.

Note

If new radiator (4) fitted, adjust positioning bar (20) with adjusting screw (21) by hand. To do this, turn adjusting screw (21) with upper frame cross member (2) installed until adjusting bar (20) is resting slightly pretensioned against the upper frame cross member (2).

Cooling system	fill (20-0100).
If automatic transmission fitted:	check oil level, adjust to correct level.
Cooling system	check for leaks (20-0170).

Tightening torques in Nm

Hose of automatic transmission fluid to radiator (union nut)	20
Hose clips (reference value)	2.5
Drain plug of radiator (reference value)	1.5

Commercially available tool

7 mm wrench socket hexagon on flexible shaft for hose clip with worm drive	e. g. Hazet 42853 Remscheid Order no. 426-7
--	---

D. Models 202, 210

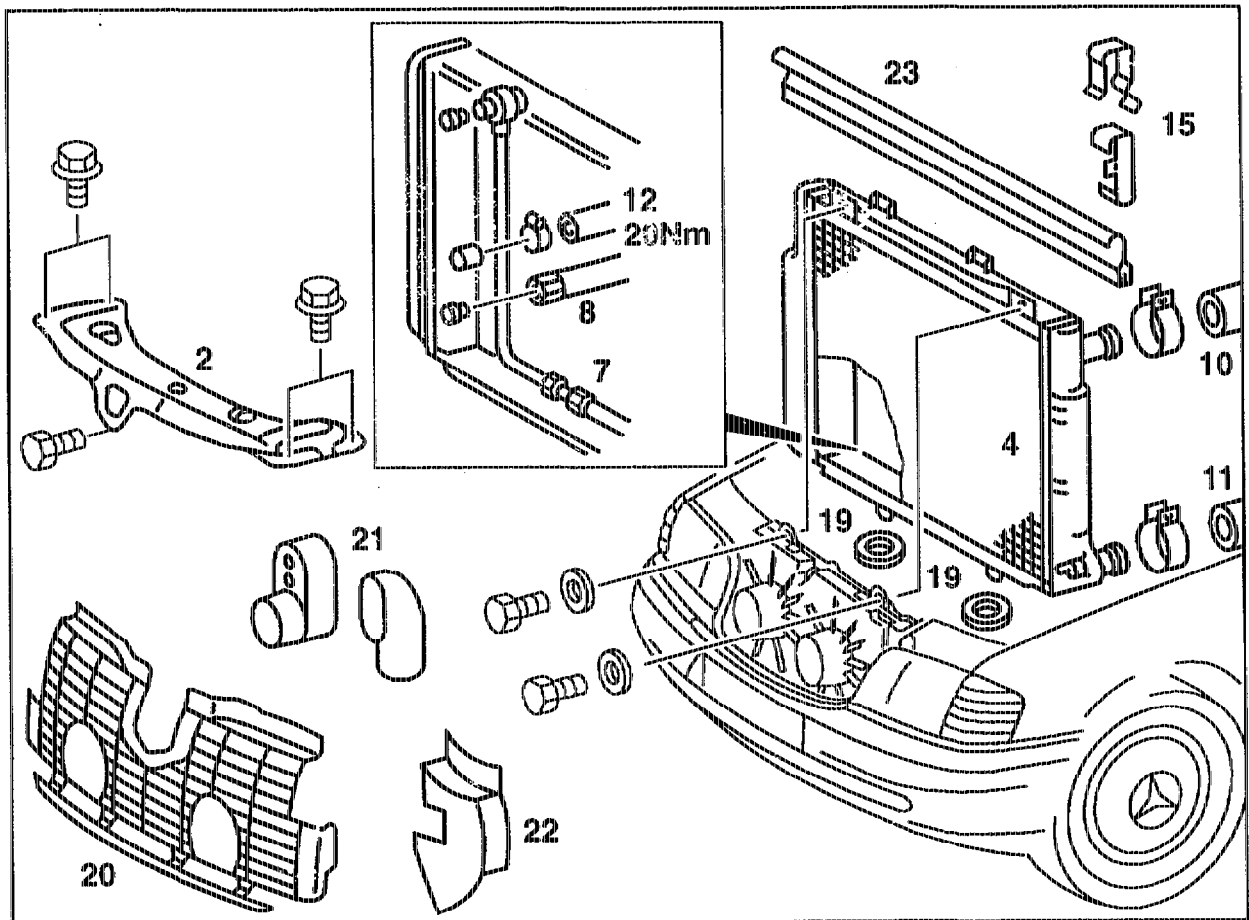
Preceding work:

Fan shroud removed (20-3400).

Model 210 with automatic transmission: viscous fan clutch removed (20-3120)

Operation no. of operation texts and work units or standard texts and flat rates:

20-3865-4535



P20-5318-57

Coolant at radiator	drain (20-0100).
Coolant hoses (10), (11) and (12)	take off, fit on.
If automatic transmission fitted:	unbolt oil pipes (7) and (8), bolt on (20 Nm). Plug oil pipes (7) and (8) with connection fitting, see note.
Fan grille (20)	remove, install.
Model 202:	remove radiator cover (22), install.
Flat shaped springs (15)	pull off upward, fit on.
Upper frame cross member (2)	unbolt, bolt on (9 Nm).

Model 210: detach Bowden cable of hood lock at upper frame cross member (2), attach.
 Model 202: pull off shaped rubber strip (23), fit on.

Intake air scoop (21) remove, install.
 If AC fitted: unbolt condenser at radiator (4), bolt on.
 Radiator (4) remove upward, install.

Note

The securing studs of the radiator must be inserted into the rubber pads (19) of the bottom cross member when installing.

Cooling system fill (20-0100).
 If automatic transmission fitted: check oil level, adjust to correct level.
 Cooling system check for leaks (20-0170).

Tightening torques in Nm

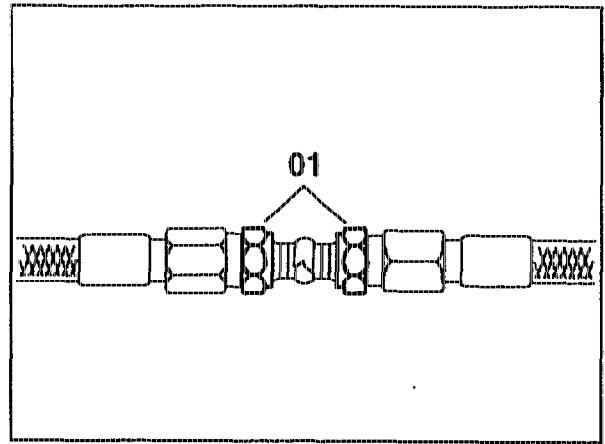
Hose of automatic transmission fluid to radiator (union nut)	20
Hose clips (reference value)	2.5
Drain plug of radiator (reference value)	1.5

Commercially available tool

7 mm socket wrench hexagon on flexible shaft for hose clip with worm drive	e. g. Hazet 42853 Remscheid Order no. 426-7
--	---

Note

Plug automatic oil pipes with connection fitting (01) (shop-made).



P20-5319-13