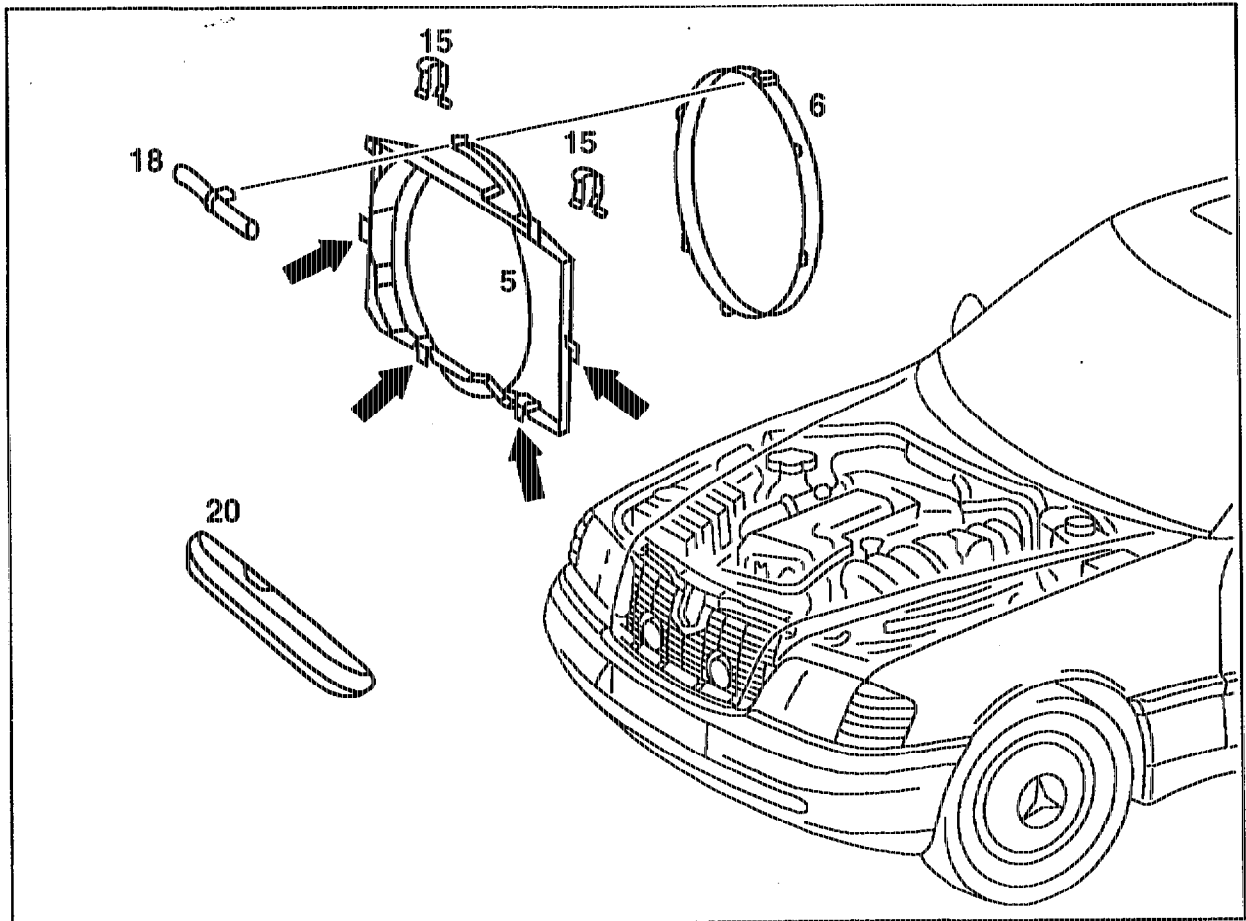


20-3400 Removing and installing, adjusting fan shroud


Preceding work:
Bottom engine compartment panel at front removed
(Maintenance Manual 6190).

Operation no. of operation texts and work units or standard texts
and flat rates:
20-6800

A. Models 124, 129, 202



P20-5316-57

Model 129:	remove trim panel (20) at top of radiator, install.
Model 202:	detach coolant line at fan shroud, fit on.
Locking pin (18)	remove, insert.
Fan shroud ring (6)	turn to the left, place over fan, install.
	
	When installing, ensure the engaging studs are correctly located in the fan shroud (5).
Flat shaped springs (15)	pull off upward, install.
Fan shroud (5) and fan shroud ring (6)	remove, install.

Note

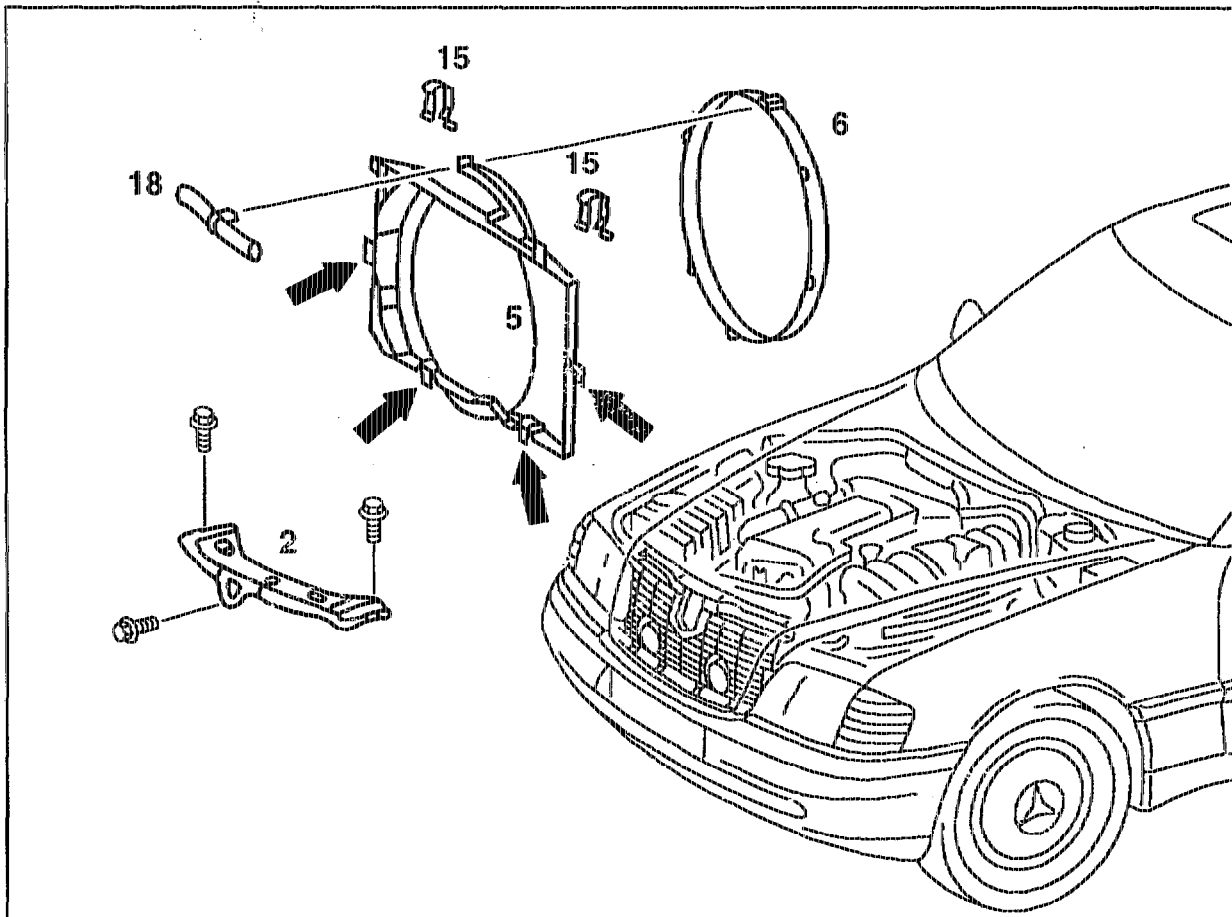
When installing, insert retaining plates (arrows) of fan shroud (5) into the mounts on the radiator.

Adjust fan shroud (5) relative to fan.

B. Model 140

Preceding work:
Bottom engine compartment panel at front removed
(Maintenance Manual 6190).

Operation no. of operation texts and work units or standard texts
and flat rates:
20-6800



P20-5317-57

Upper frame cross member (2)	remove, install.
Locking pin (18)	remove, insert.
Fan shroud ring (6)	turn to the left, place over fan, install.



When installing, ensure the engaging studs of the fan shroud ring (6) are properly located in the fan shroud (5).

Flat shaped springs (15)	pull off upward, install.
Fan shroud (5) and fan shroud ring (6)	remove, install.

Note

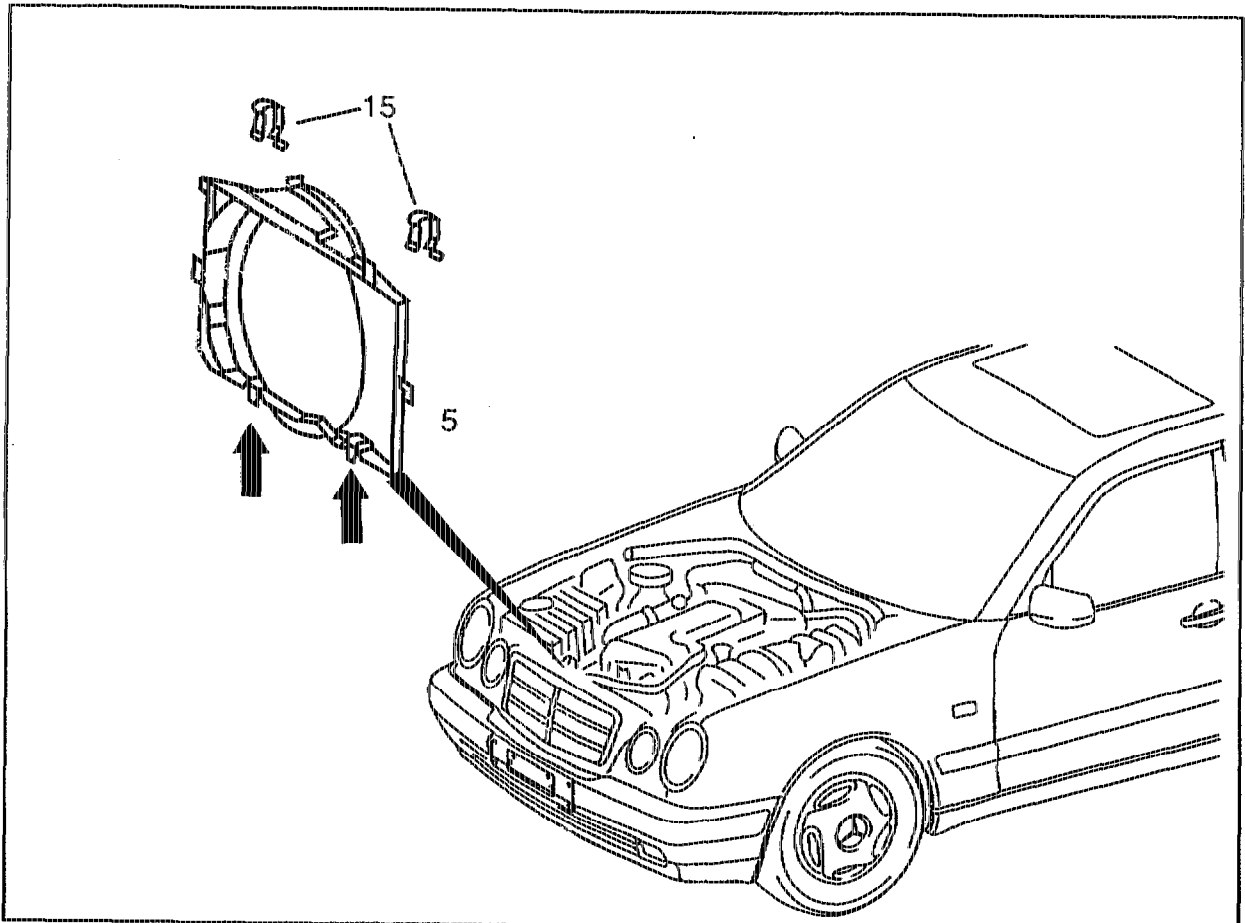
When installing, insert retaining plates (arrows) of the fan shroud (5) into the mounts on the radiator.

Adjust fan shroud (5) relative to fan.

C. Model 210

Preceding work:
Warning instructions when hood open

Operation no. of operation texts and work units or standard texts
and flat rates:
20-6800



P20.40-0219-57

Flat shaped springs (15)	pull off upward, install.
Fan shroud (5)	remove, install.

Note

When installing, ensure the retaining plates (arrows) of the fan shroud (5) are inserted into the mounts on the radiator.

Adjust fan shroud (5) relative to fan.

Models 124, 129

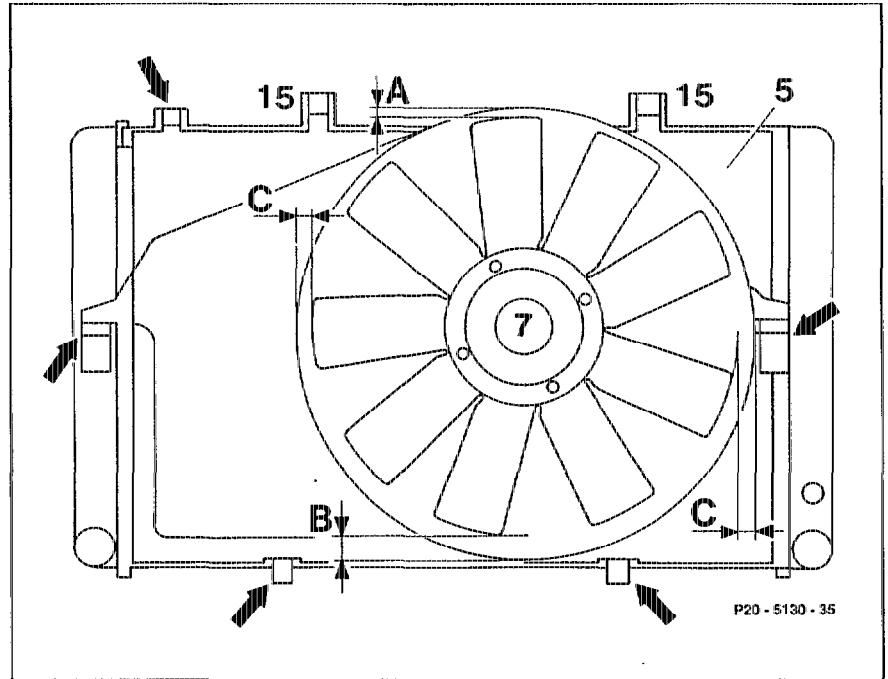
- A 16.5 – 19.5 mm
- B 25.5 – 28.5 mm
- C 19.5 – 25.5 mm

Model 140

- A 22 – 25 mm
- B 25 – 28 mm
- C 17 – 23 mm

Models 202, 210

- A 19 – 22 mm
- B 28 – 31 mm
- C 17 – 23 mm



Adjusting

- | | |
|---|--|
| Flat shaped springs (15) | pull off upward. |
| Fan shroud (5) with fan shroud ring | adjust relative to fan (7) according to the sizes (A), (B), (C). |
| Flat shaped springs (15) | install. |