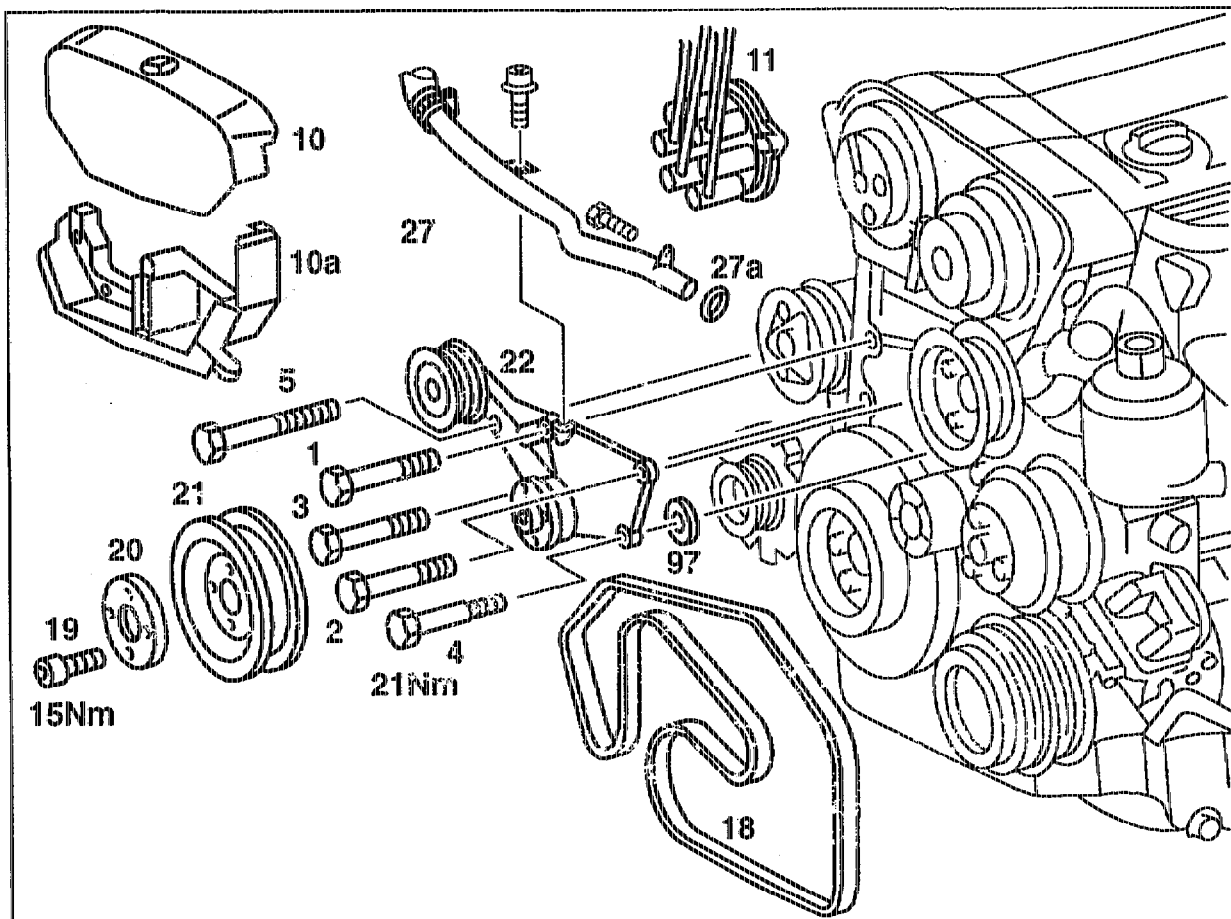


## 20-3140 Removing and installing bearing bracket of viscous fan clutch

Preceding work:  
Viscous fan clutch removed (20-3120).

Operation no. of operation texts and work units or standard texts  
and flat rates:  
20-5996

### A. Models 124, 129, 140



P20-5326-57

Shown on engine 104.98

- |   |                     |   |                                     |
|---|---------------------|---|-------------------------------------|
| 1 | M8×80 bolt + washer | 4 | Engine 104.98 M8×67 fit collar bolt |
| 2 | M8×65 bolt + washer |   | Engine 104.99 M8×65 bolt + washer   |
| 3 | M8×80 bolt          | 5 | M8×110 bolt + washer                |

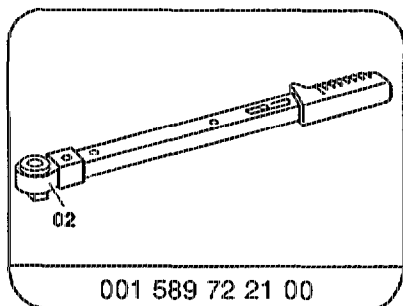
Cover (10)	remove, install.
Ignition cable (4) and connector of camshaft adjuster	unplug, plug in.
High voltage distributor (11) with ignition cable connected	unbolt, place to the side, bolt on.
Holder of cover (10a)	unbolt, bolt on.

Model 124, with level control: .....	unbolt high pressure expansion hose at holder of front cover, bolt on.
Model 140: .....	unclip vacuum line at holder of bearing bracket, clip in place (3 ×).
Bolts (19) of belt pulley (21) of fan .....	slacken, tighten (15 Nm).
Poly V-belt (8) .....	remove, install (13–1200).
Models 129, 140: .....	remove plate (20), install.
Belt pulley (21) .....	remove, install.
Models 124, 129 .....	open expansion reservoir cap, release pressure.
Models 124, 129: .....	unbolt heating water return line (27) at coolant pump and bearing bracket (22), bolt on, replace seal (27a).
Models 124, 129: .....	plug opening of coolant pump.
Bolts (1), (2), (3), (4) and (5) .....	unscrew, screw on (21 Nm).
Models 124, 129: .....	coat fit collar bolt (4) with sealant 002 989 00 20 10.
Bearing bracket (22) .....	remove, install.
Models 124, 129: .....	replace seal (97) in timing case cover.
Models 124, 129: .....	pour in coolant (20–0100).
Models 124, 129: .....	check cooling system for leaks (20–0170).

### Tightening torques in Nm

Bolts of high voltage distributor	10
Bolts of belt pulley of fan	15
Bolts of bearing bracket of viscous fan clutch	21

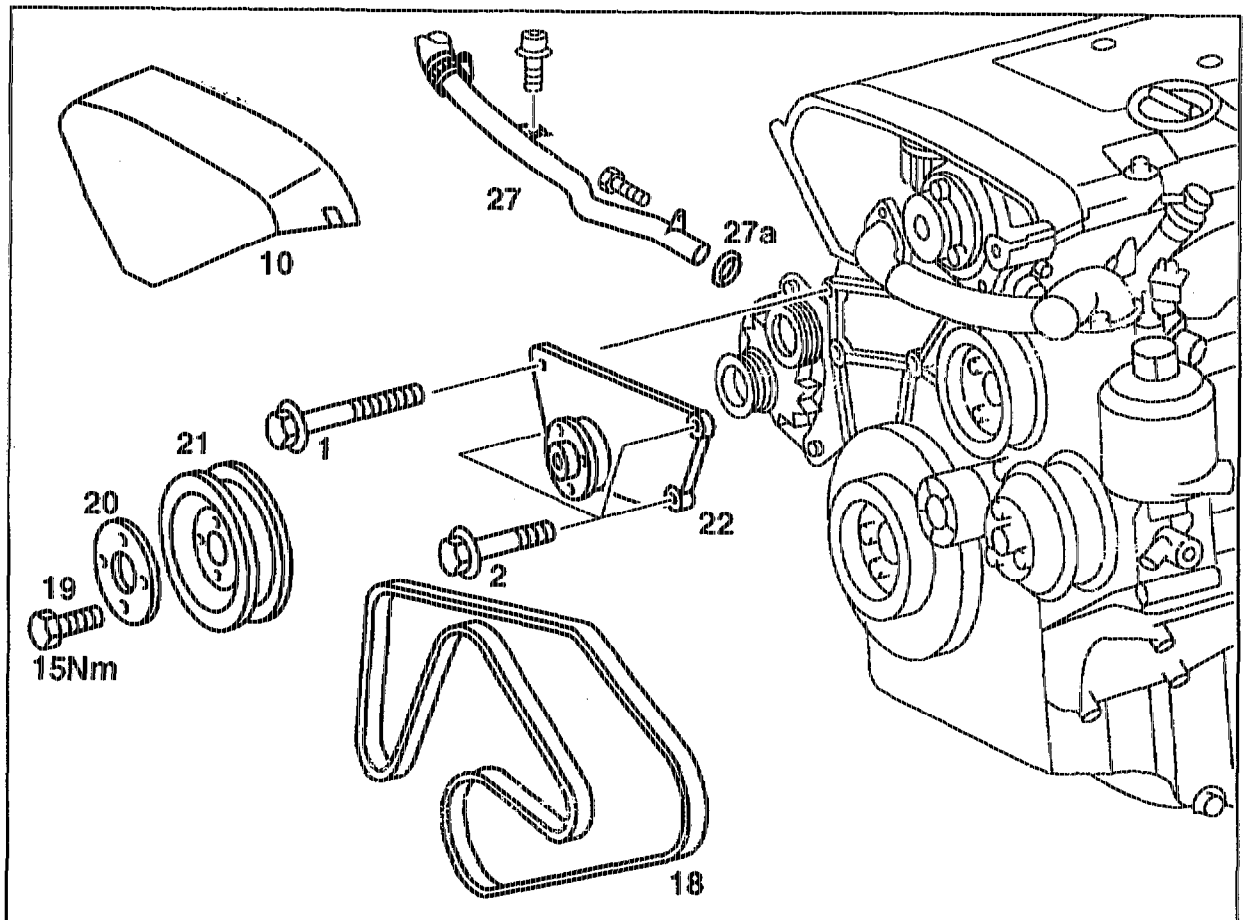
### Special tool



## B. Models 202, 210

Preceding work:  
Viscous fan clutch removed (20-3120).

Operation no. of operation texts and work units or standard texts  
and flat rates:  
20-5996



P20-5315-57

Cover (10) .....	pull off, fit on.
Bolts (19) of belt pulley (21) of fan .....	slacken, tighten (15 Nm).
Poly V-belt (18) .....	remove, install (13-1200).
Plate (20) and belt pulley (21) .....	remove, install.
Expansion reservoir cap .....	open, release pressure (20-0100).
Heating water return pipe (27) to coolant pump and bearing bracket (22) .....	unbolt, bolt on, replace seal (27a).
Opening of coolant pump .....	plug.
Bolts (1) and (2) .....	unscrew, screw on (21 Nm).
Fan carrier (22) .....	remove, install.
Coolant .....	pour in (20-0100).
Cooling system .....	check for leaks (20-0170).

**Tightening torques in Nm**

Bolts of belt pulley of fan	15
Bolts of bearing bracket of viscous fan clutch	21

**Special tool**

