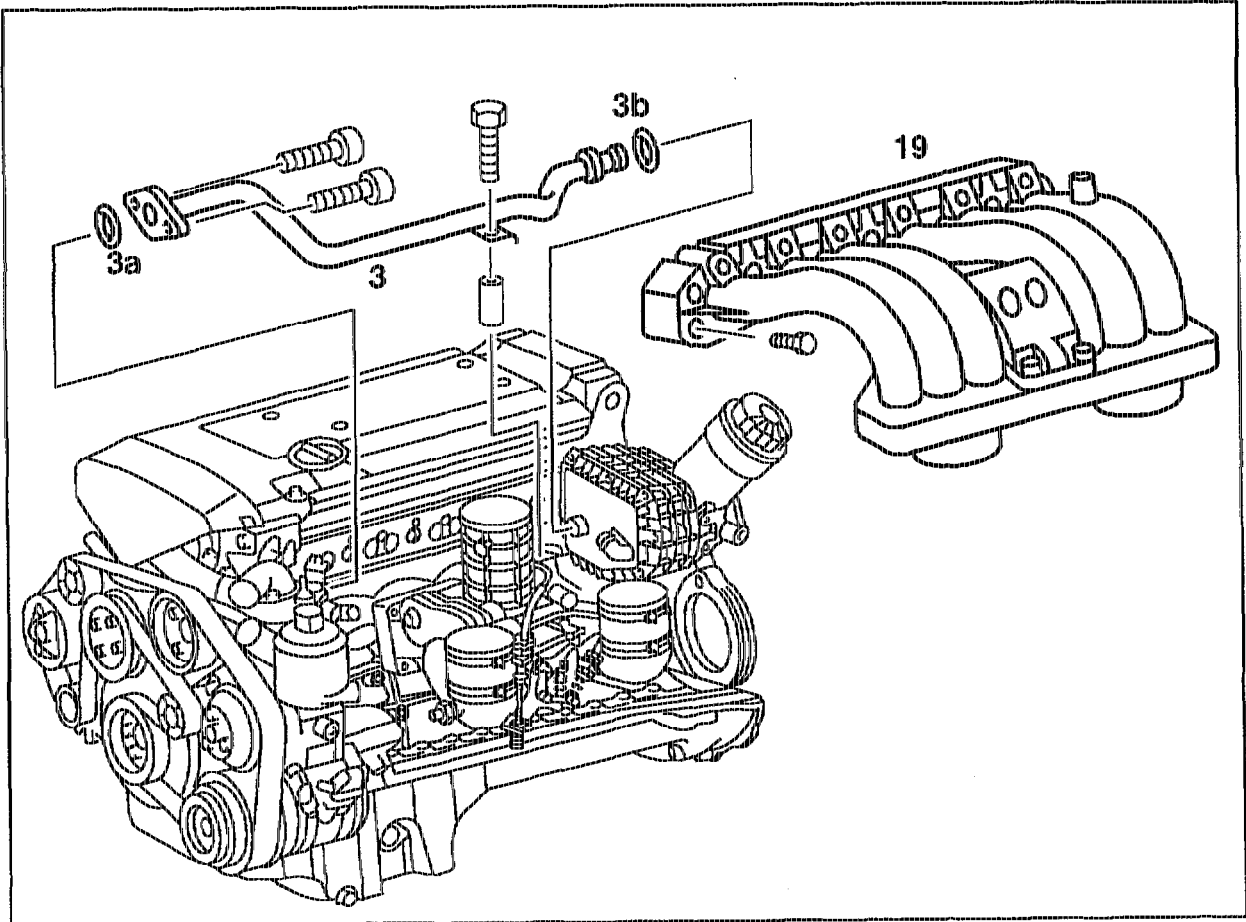


## 20-2300 Removing and installing coolant pipe from heat exchanger to coolant pump

Preceding work:  
Top part of resonance intake manifold removed  
(AR09.20-1310D)

Operation no. of operation texts and work units or standard texts  
and flat rates

### Engines with oil-coolant heat exchanger



P20-5313-57

Coolant at crankcase .....	drain (20-0100).
Coolant pipe (3) at coolant pump and at bottom part of resonance intake manifold .....	unbolt, remove, install.

#### Note

Replace O-rings (3a) and (4a) at coolant pump  
and at heat exchanger.

Coolant .....	pour in (20-0100).
Cooling system .....	check for leaks (20-0170).
Top part of resonance intake manifold (19) .....	install (AR09.20-1310D).