

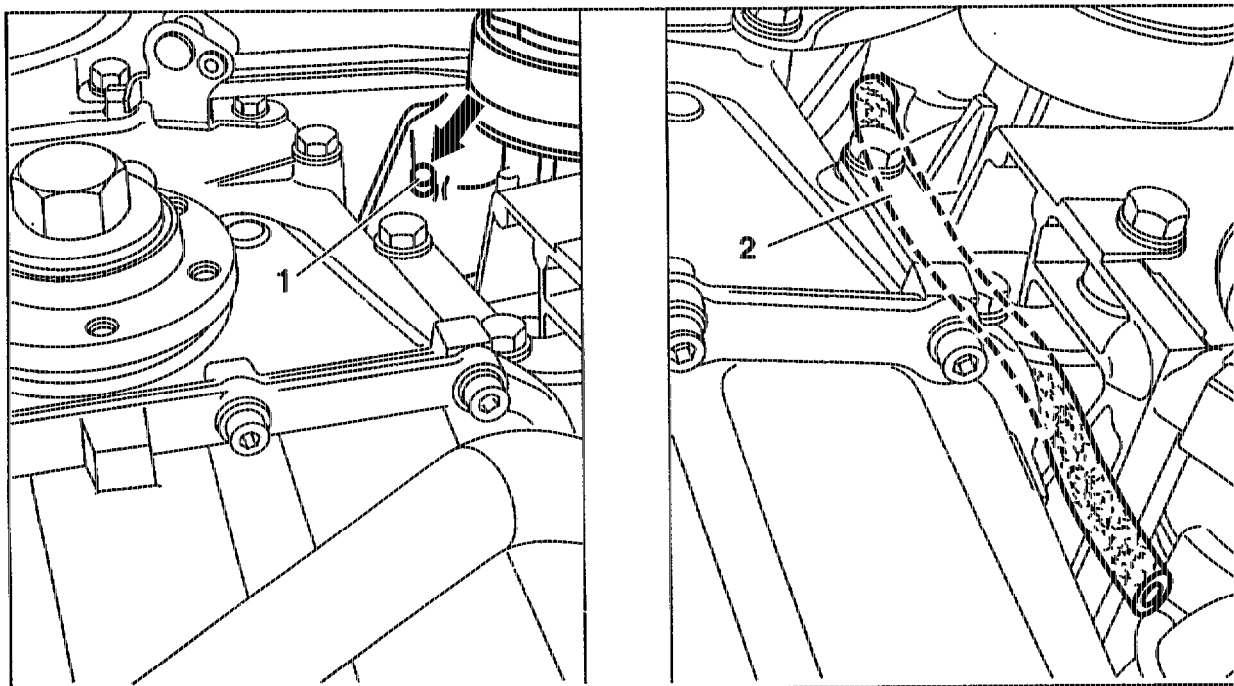
20-2255 Retrofitting coolant pump drain pipe

Preceding work:

Viscous fan coupling removed (20-3120).

Poly V-belt removed (13-3420).

Belt pulley/vibration damper removed (03-3420).



P20-5404-55

Belt pulleys at coolant pump and at fan bearing pedestal

remove, install (13-3450).

Shock absorber of tensioning device

remove, install (13-3450).

1st version (coolant pump with \varnothing 7.5 mm hole)

Connection fitting (1)

coat with adhesive.

Connection fitting (1)

knock in with insertion drift (shop-made tool).

Drainage pipe (2)

fit onto connection fitting (1) and run between crankcase and power steering pump support.

2nd version (coolant pump 103 200 37 01 with \varnothing 9.9 mm hole)

Drainage pipe (2)

coat with Loctite 648, 003 989 32 71.

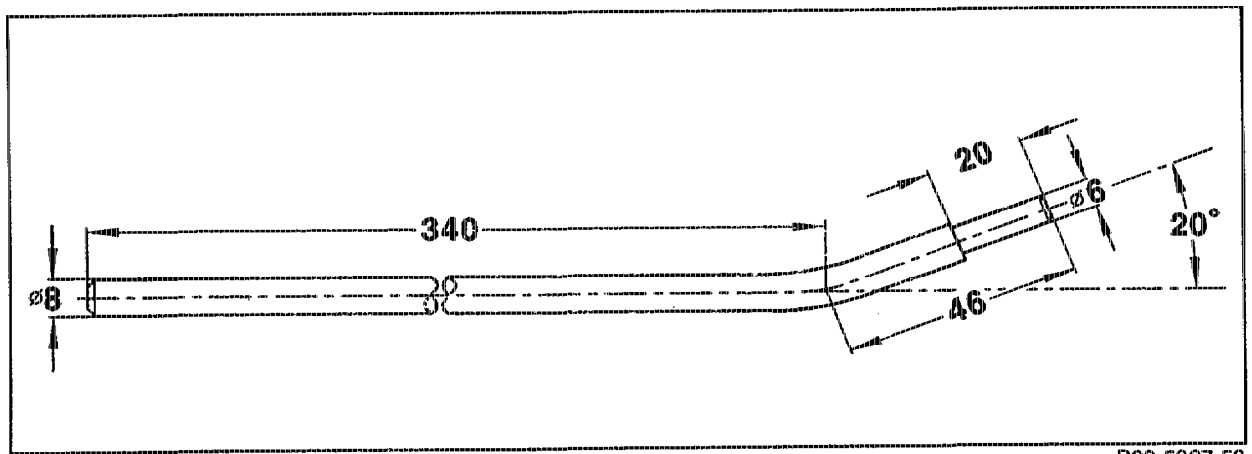
Drainage pipe (2)

insert into \varnothing 9.9 mm hole and run between crankcase and power steering pump support.

Shop-made tool

Insertion drift

Material: structural steel e.g. St.37-k



Parts

Designation	Part no.
Repair kit Ø 7.5 mm hole	103 200 20 52
Repair kit Ø 9.9 mm hole	104 203 08 02