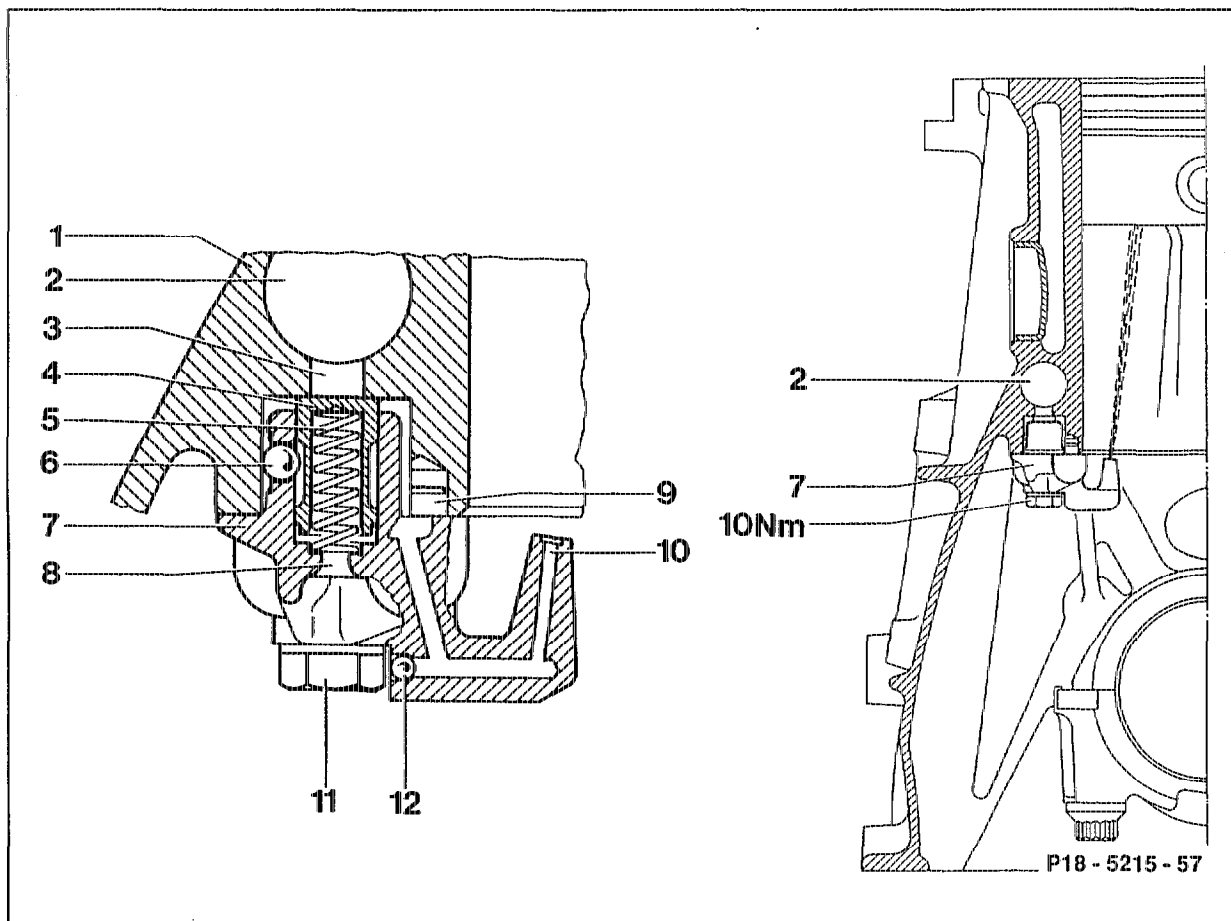


18-4000 Removing and installing oil spray nozzles for pistons

Preceding work:

Oil sump removed (01-3100).

Oil shield removed (18-2180).



1	Crankcase	8	Drain drilling for leak oil
2	Main oil gallery	9	Roll pin
3	Oil feed drilling	10	Nozzle opening
4	Piston	11	M6 x 22 mm bolt + washer
5	Compression spring	12	Ball, 2.5 mm dia.
6	Ball, 4 mm dia.		
7	Oil spray nozzle		

Piston of oil spray nozzle to be removed (7)
 Bolt (11)
 Oil spray nozzle (7)

position to TDC.
 unscrew, screw on (10 Nm).
 remove with suitable pliers, install.



The oil spray nozzles are discontinued as of 1/94.

The piston crowns are cooled through optimized drillings in the conrods and conrod bearings.