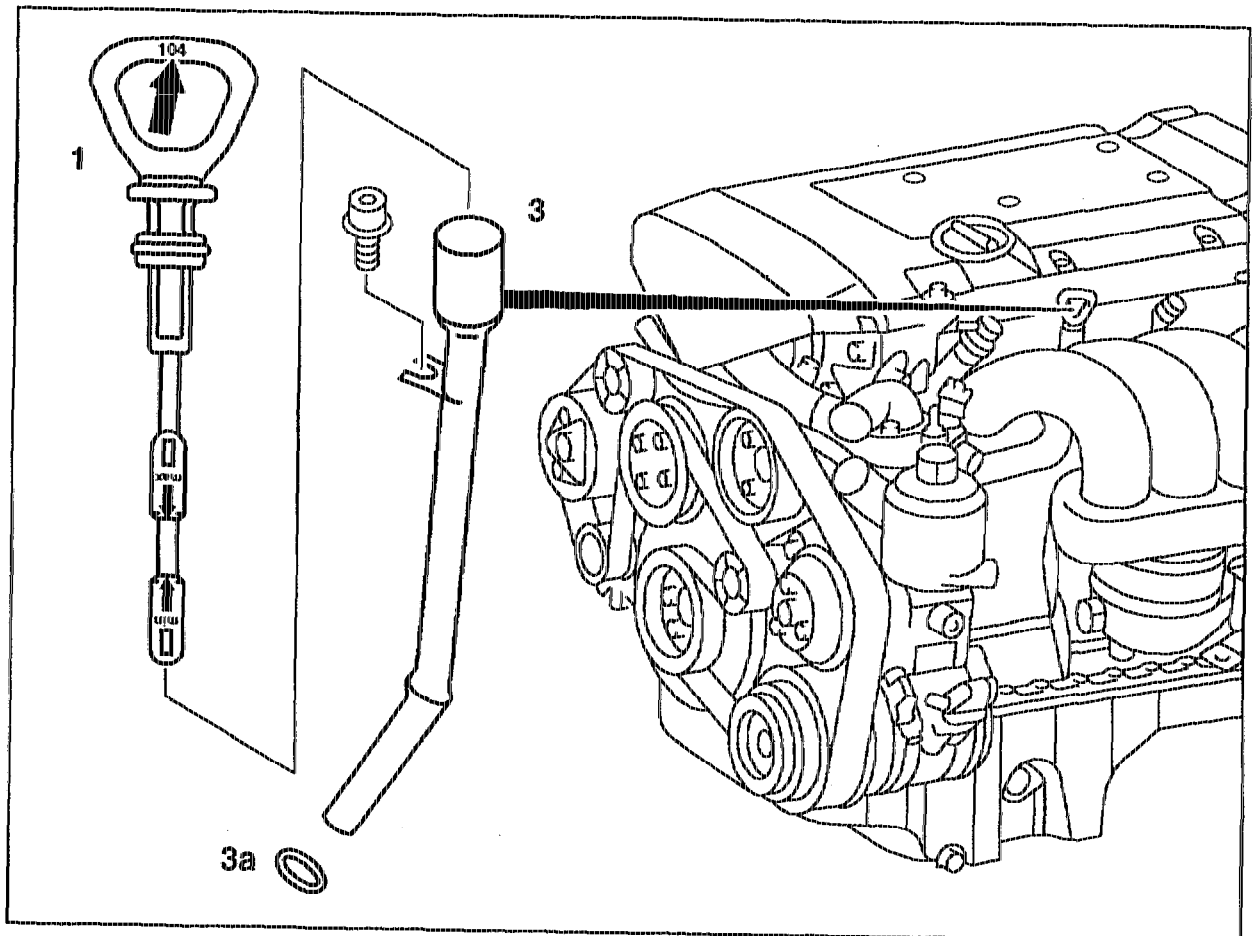


18-3510 Removing and installing dipstick guide tube, model 202



P18-5263-57

Dipstick (1)	remove, insert.
Dipstick guide tube (3)	unbolt at top part of resonance intake manifold, bolt on.
Dipstick guide tube (3)	remove upward, install.
Seal (3a)	replace according to condition.
Engine	run, check for leaks.