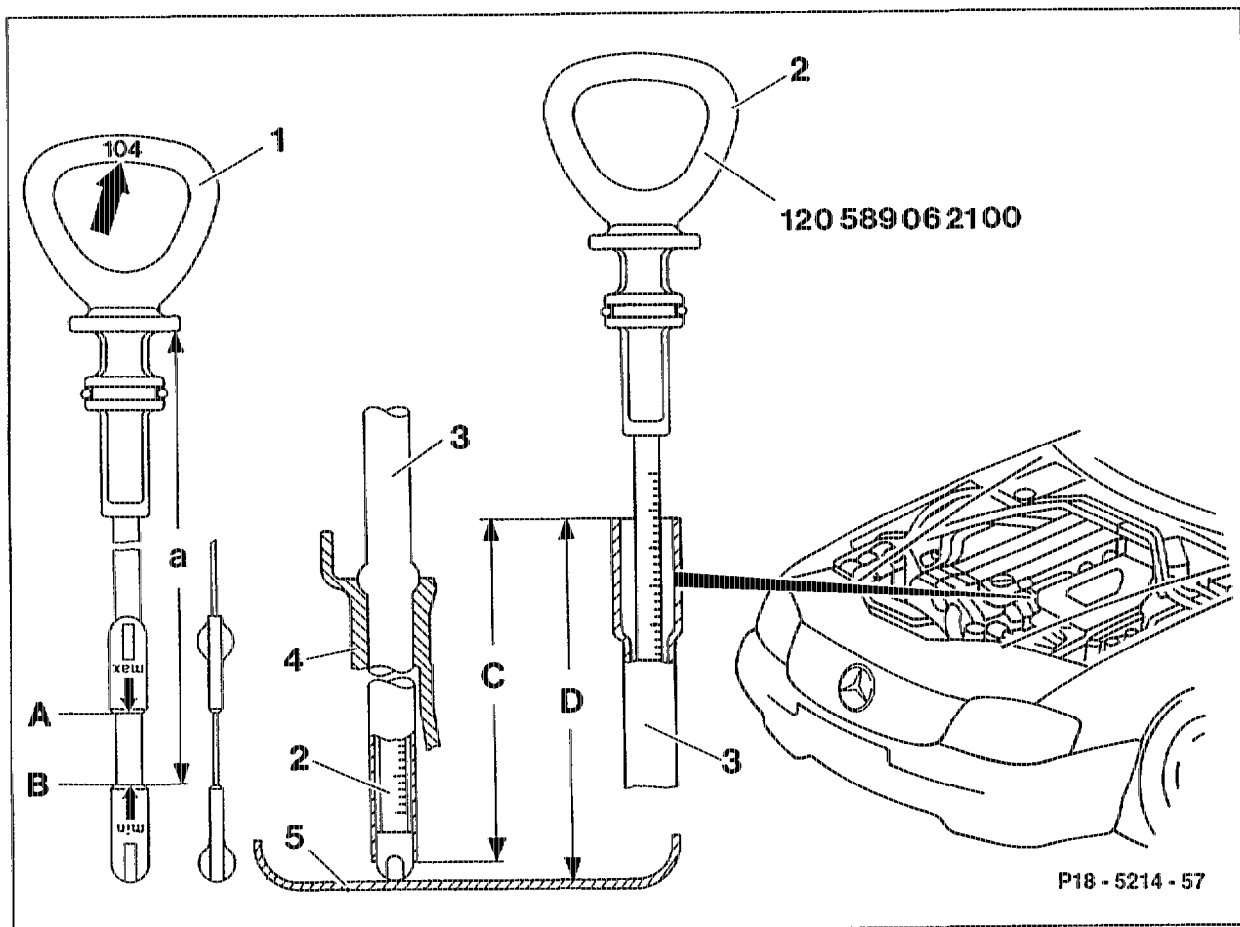


18-3500 Checking dipstick and guide tube



- | | | | |
|---|---------------------------|---|--------------------|
| 1 | Dipstick | 4 | Crankcase |
| 2 | Dipstick 120 589 06 21 00 | 5 | Bottom of oil sump |
| 3 | Dipstick guide tube | | |

Dipstick (1)	remove.
Code number (arrow) on dipstick (1)	check against table.
Dipstick (2) 120 589 06 21 00	insert with millimetre scale facing to front as far as flow of oil sump (5).
Size (D)	check against table.

Dipstick and guide tube

Engine	Model	A-B	a	C	D	Code no.
104.941	202.028	15	516	600	605	104 07
104.942	124.0	15	516	600	605	104 07
104.943	129.058	15	516	600	605	104 07
104.944	140.028	20	552	645	649	603 22
104.945	210.053	15	516	600	605	104 07
104.980	124.0	15	516	602	605	104 07
104.981	129.061	15	516	602	605	104 07
104.990	140.03	20	552	645	649	603 22
104.991	129.063	15	516	600	605	104 07
104.992	124	15	516	600	605	104 07
104.994	140.03	20	552	645	649	603 22
104.995	210.055	15	516	600	605	104 07
104.996	463.2	20	552	665	669	603 22

Special tool

