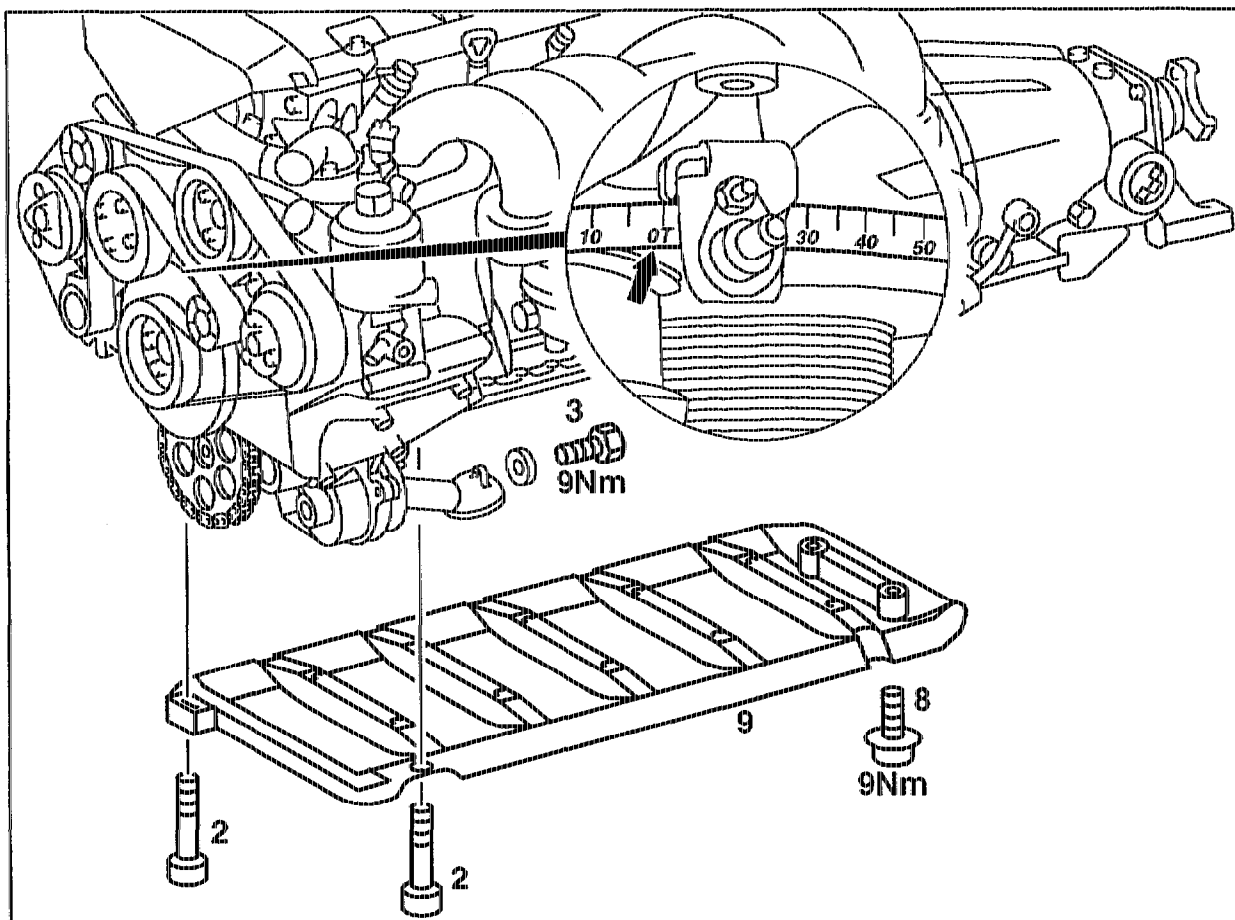


18-2180 Removing and installing oil shield at crankshaft

Preceding work:
Oil sump removed (01-3100)



P18-5261-57

- 2 M8 × 35 bolt + washer (hexagon socket)
- 3 M6 × 16 or M6 × 20 bolt + washer
- 8 M6 × 12 bolt (hexagon socket), 12 ea.

Piston of cylinder 1	position to TDC (arrow) so that the crank webs of cylinder 2 are facing up.
Bolts (2) of oil pump and bolt (3) of intake manifold support	unscrew, screw on. M6 9 Nm; M8 21 Nm.
Bolts (8)	unscrew, screw on (9 Nm).
Oil shield (9)	remove, install.