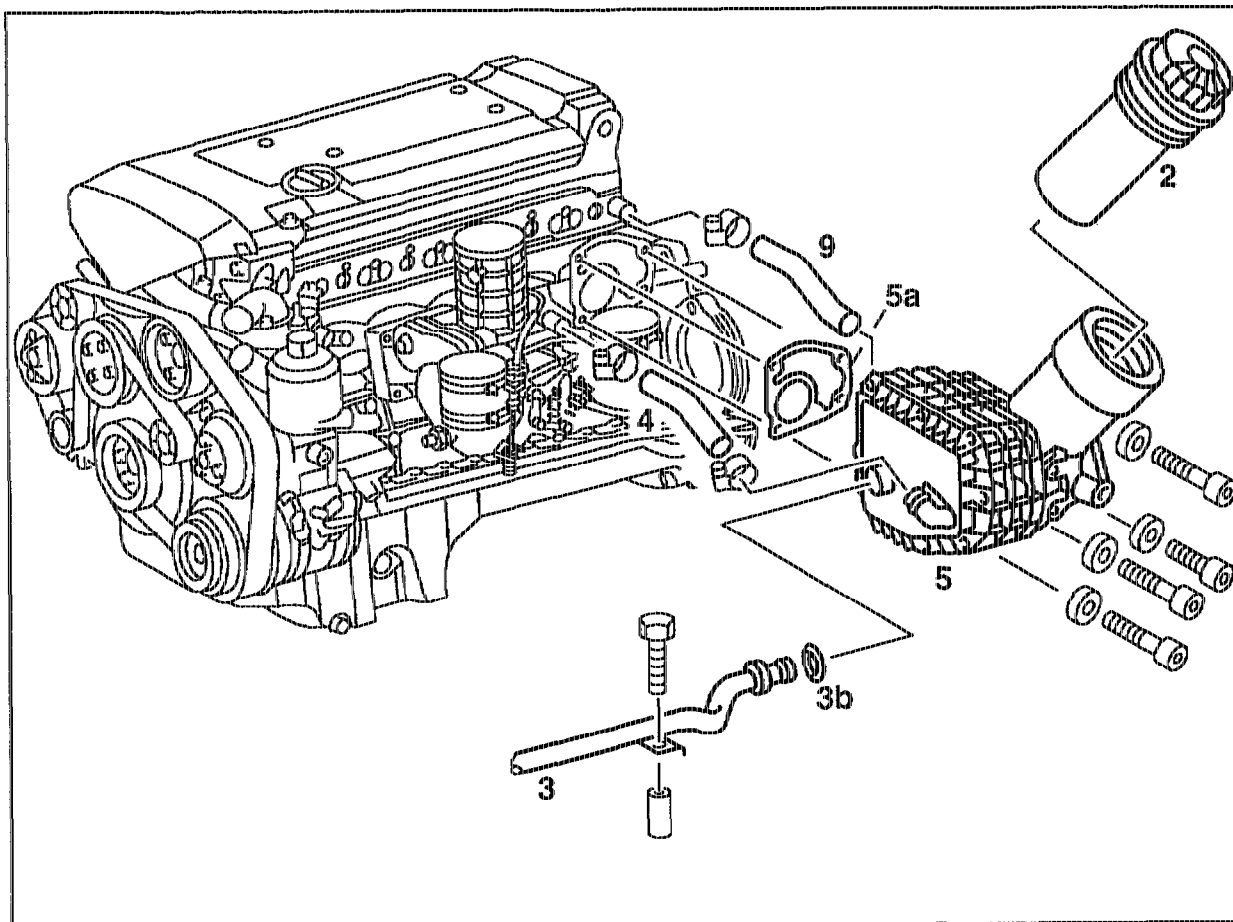


18-1320 Removing and installing oil-to-coolant heat exchanger

Preceding work:
Top part of resonance intake manifold removed
(AR09.20-1310D).

Operation no. of operation texts and work units or standard texts
and flat rates:
18-3090-3800



P18-5259-57

- | | |
|--|---|
| Screw cover (2) at oil filter (5) | unscrew, screw on so that the engine oil in the oil filter flows off into the sump (18-0020). |
| Coolant at crankcase | drain (20-0100). |
| Coolant hose (9) at rear of cylinder head | detach, fit on. |
| Coolant pipe (3) at bottom part of resonance intake manifold | unbolt, bolt on. |
| Note | |
| | Replace O-ring (3b) at heat exchanger. |
| Coolant hose (4) from crankcase to heat exchanger | take off, fit on. |

Coolant hose (4) from crankcase to heat exchanger take off, fit on.

 **Installation**

Models 124 and 129:

It is essential to maintain clearance of the hose clips to the solenoid switch of the starter! Install bottom single-ear hose clip only when oil filter removed. Pay attention to position of top and bottom hose clips so that accelerator control linkage does not get jammed.

Oil-to-coolant heat exchanger (5) at crankcase . . . unbolt, bolt on (21 Nm).

Sealing surfaces clean.

Gasket (5a) replace.

Oil-to-coolant heat exchanger (5) at oil filter unbolt, bolt on.

Note

If a leak is suspected, pressure-test oil-to-coolant heat exchanger (5) (18-1370).

Gasket replace.

Coolant pour in (20-0100).

Cooling system check for leaks (20-0170).

Oil level in engine check, adjust to correct level (18-0020).

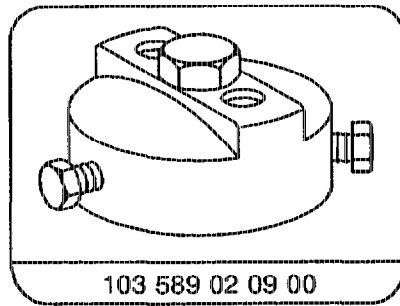
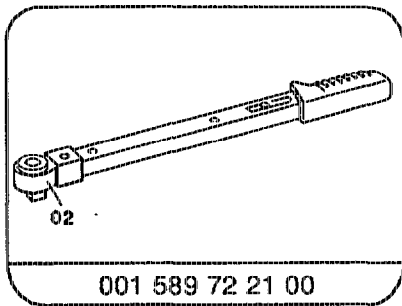
Engine run, and check for leaks.

Tightening torque in Nm

Oil-to-coolant heat exchanger to crankcase

21

Special tools



Commercially available tool

7 mm socket wrench hexagon on flexible shaft for hose clip with worm drive.

e.g. Hazet
42853 Remscheid
Order no. 426-7