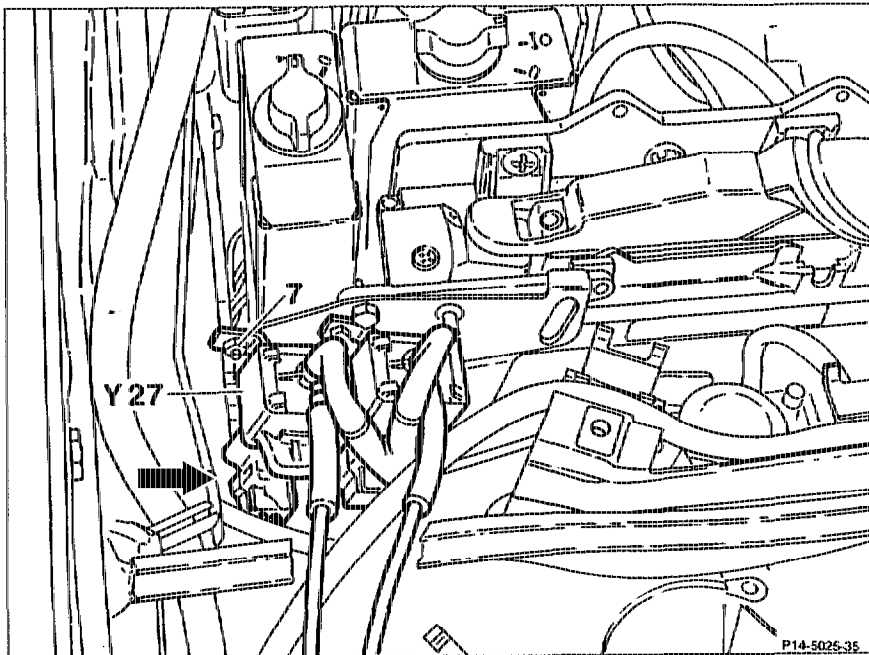


14-7692 Removing and installing exhaust gas recirculation switchover valve

Operation No. of operation texts and work units or standard texts
and flat rates:
14-7692

J USA



Accessories compartment cover	remove and install (model 129 only).
Electrical connector (arrow) at exhaust gas recirculation switchover valve (Y27)	unplug, plug in.
Vacuum hose (tr/vi/br)	detach, fit on.

Installation instruction

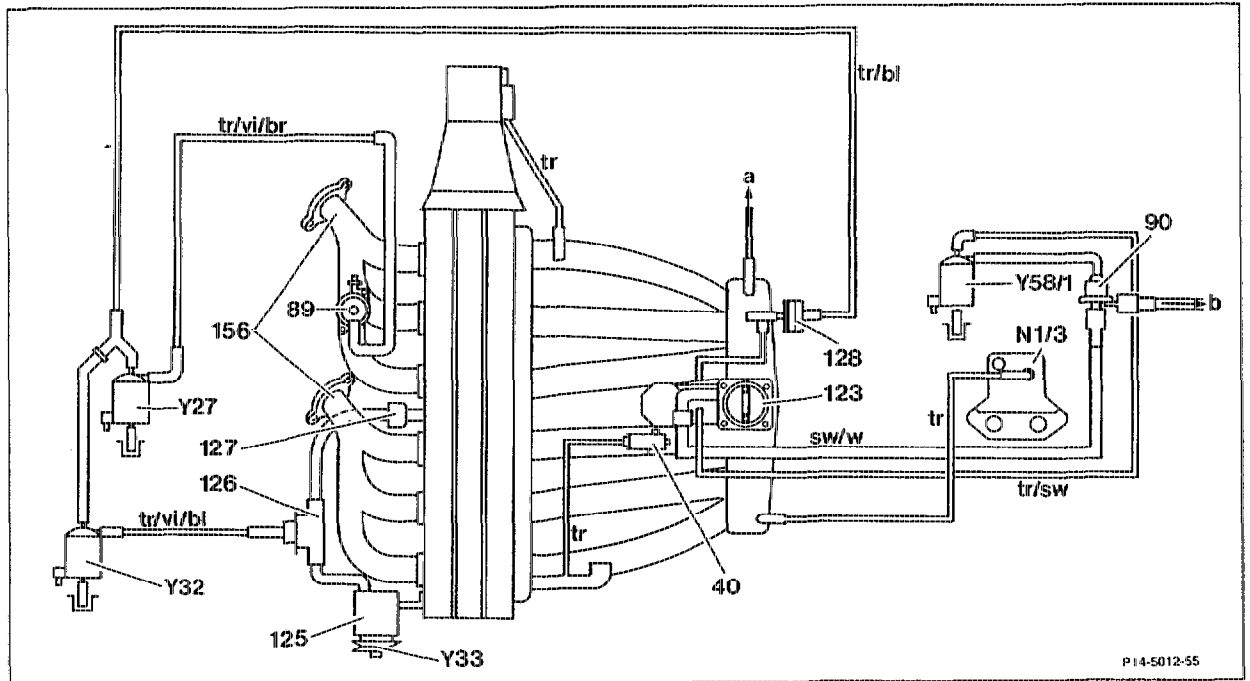
Pay attention to colour coding on vacuum hose
(see Function diagram air injection and exhaust
gas recirculation).

Vacuum hose for check valve	detach, fit on.
Bolt (7)	unscrew, screw in.
Exhaust gas recirculation switchover valve (Y27)	detach at carrier, attach.

CIS-E control unit fault memory read out, erase if necessary (see Diagnosis Manual Engine, Volume 2, Index 0).

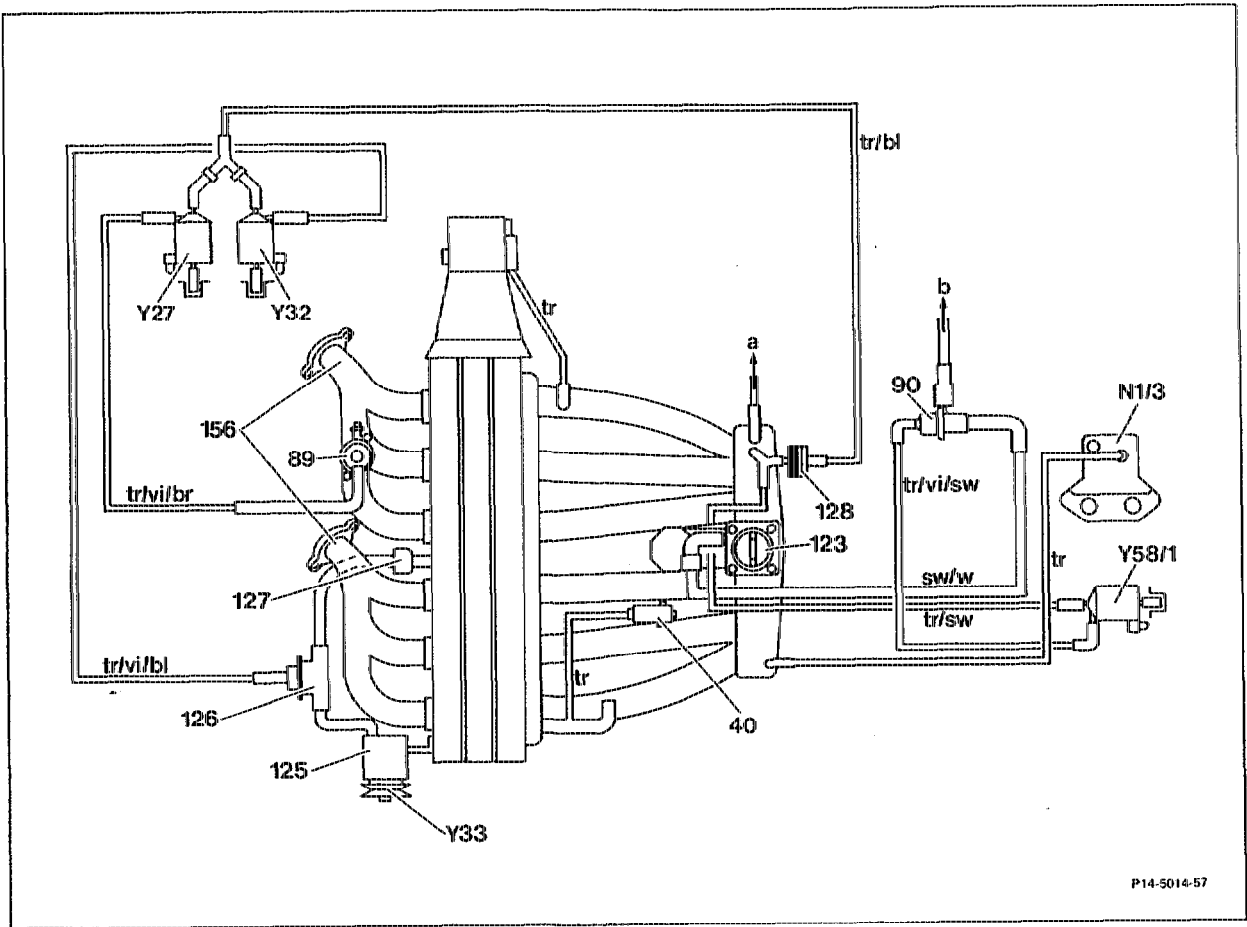
Note

Stored faults which may originate from test work resulting from cables being disconnected or from a simulation, must be erased in the fault memory after completing the work.



Function diagram of air injection and exhaust gas recirculation, model 124

40	Diaphragm pressure regulator	N1/3	EZL/AKR control unit
89	ARF valve	Y27	ARF switchover valve
90	Regeneration valve	Y32	Air injection switchover valve
123	Throttle valve assembly	Y33	Electromagnetic connector
125	Air pump	Y58/1	Regeneration switchover valve
126	Air shutoff valve		
127	Check valve (injection air)	a	to further accessories
128	Check valve (vacuum)	b	to charcoal canister
156	Exhaust manifold		



P14-5014-57

Function diagram of air injection and exhaust gas recirculation, model 129

40	Diaphragm pressure regulator	N1/3	EZL/AKR control unit
89	ARF valve	Y27	ARF switchover valve
90	Regeneration valve	Y32	Air injection switchover valve
123	Throttle valve assembly	Y33	Electromagnetic connector
125	Air pump	Y58/1	Regeneration switchover valve
126	Air shutoff valve		
127	Check valve (injection air)	a	to further accessories
128	Check valve (vacuum)	b	to charcoal canister
156	Exhaust manifold		