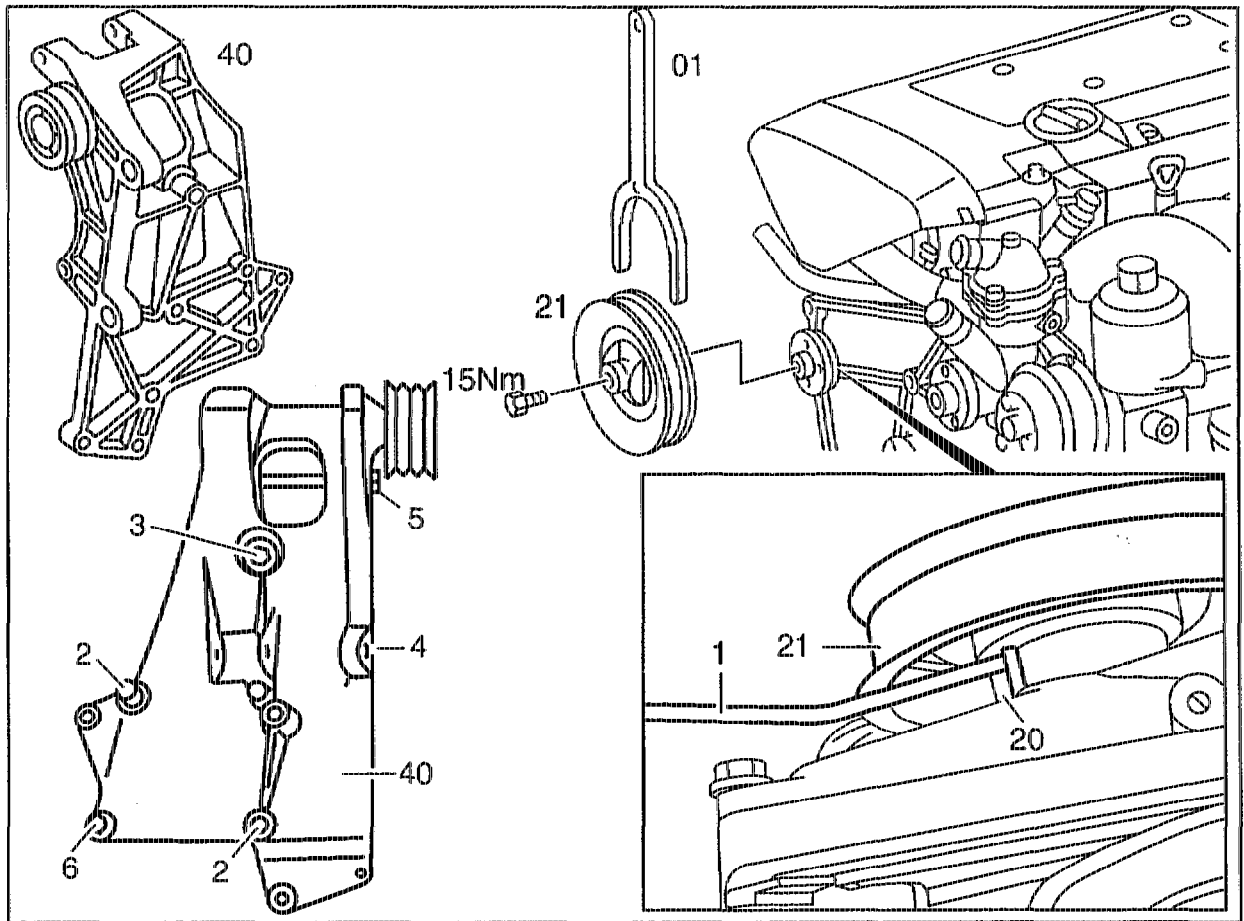


# 13-4200 Removing and installing carrier of air pump/generator, models 202, 210

Preceding work:  
 Generator removed (AR15.40-5032EA).  
 If secondary air injection fitted: Air pump removed (AR14.30-7251D). Viscous fan coupling removed (20-3120).

Operation no. of operation texts and work units or standard texts and flat rates



P01.60-0203-57

- 2 M8 x 30 hexagon socket bolt + washer
- 3 M8 x 40 hexagon socket bolt + washer
- 4 M8 x 70 hexagon socket bolt + washer

- 5 M8 x 80 bolt + washer
- 6 M8 nut

- 1st version: belt pulley of viscous fan (21) . . . . . hold with counter-holder (1) 103 589 00 40 00.
- 2nd version: belt pulley . . . . . hold with counter-holder (01) 120 589 02 01 00.
- Belt pulley of viscous fan (21) . . . . . unbolt, bolt on (15 Nm).
- Carrier of air pump/generator (40) . . . . . unbolt, bolt on (21 Nm).