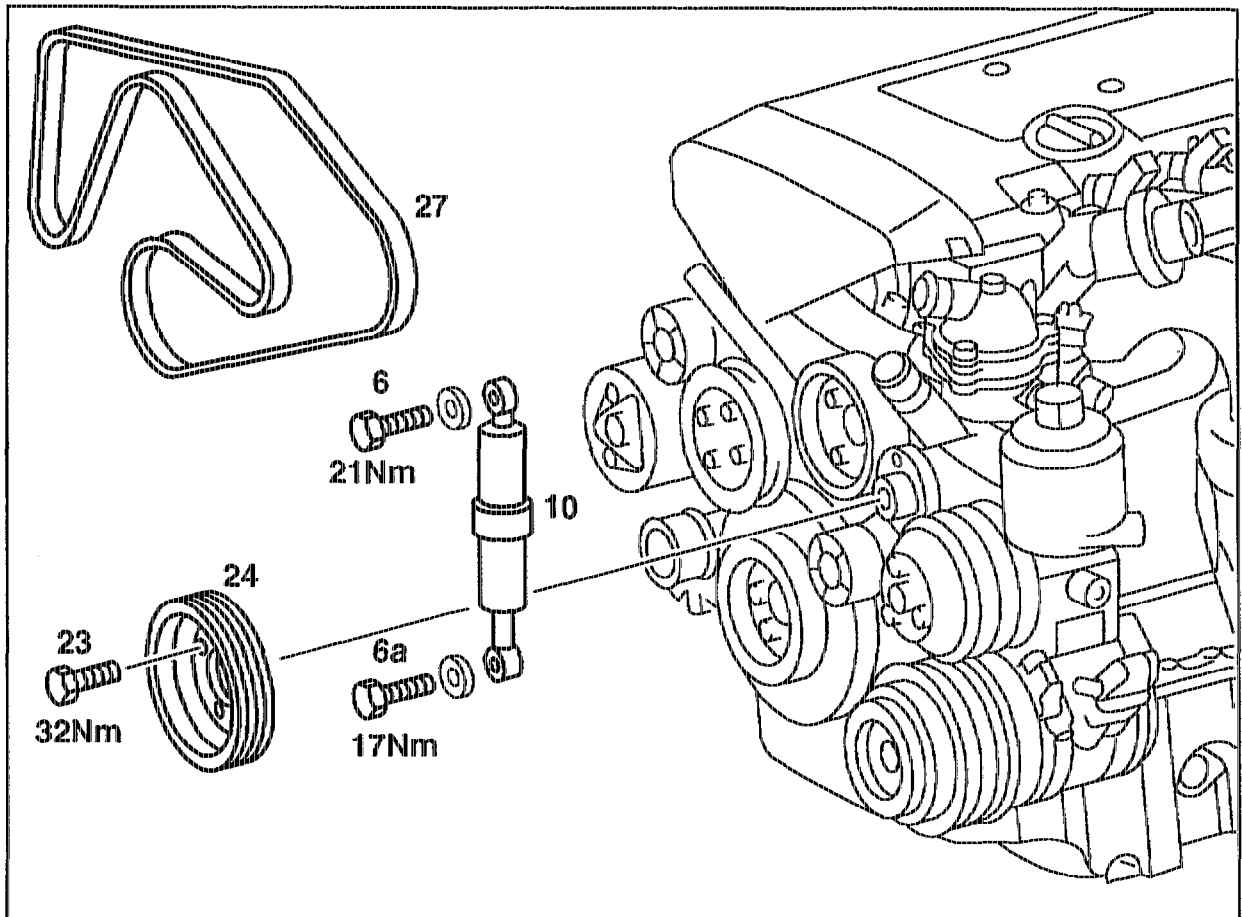


13-4000 Removing and installing shock absorber of tensioning device

Preceding work:
Viscous fan clutch removed (20-3120).

Operation no. of operation texts and work units or standard texts
and flat rates:
13-4000

Engines with tensioning device with external damper



P13-5105-57

- 6 M8 × 35 hexagon bolt with washer
6a M7 × 35 hexagon bolt with washer

Bolts (23) at belt pulley (24) of coolant pump . . .	slacken, tighten (32 Nm).
Poly V-belt (27)	remove, install (13-1200).
Belt pulley (24) of coolant pump	remove, install.
Shock absorber (10)	unbolt, bolt on (M7 17 Nm), (M8 21 Nm).

Tightening torques in Nm

Belt pulley of coolant pump M8	32
M8 bolt top of shock absorber	21
M7 bolt bottom of shock absorber	17

Special tool

