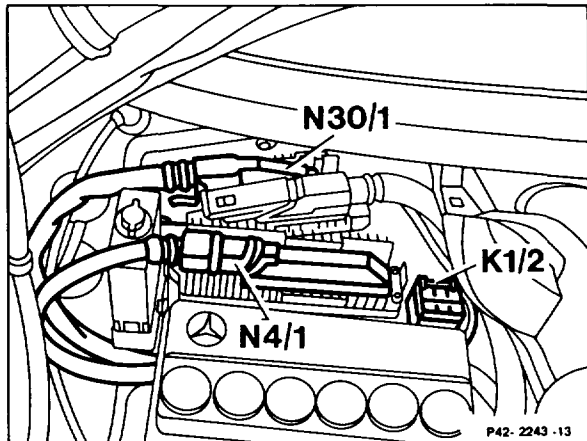
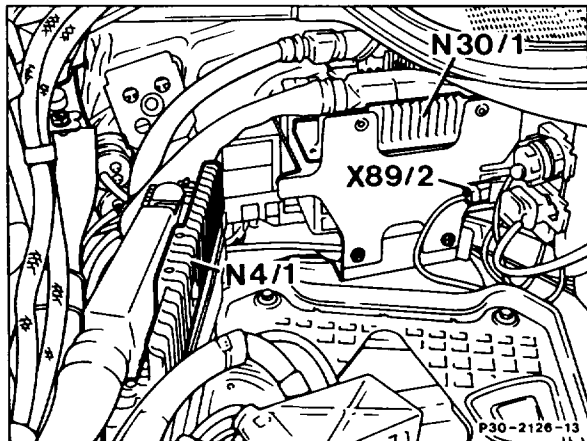


# 30-1151 Removing and installing electronic accelerator pedal control unit

Operation no. of operation texts and work units or standard texts and flat rates:  
30-1151.



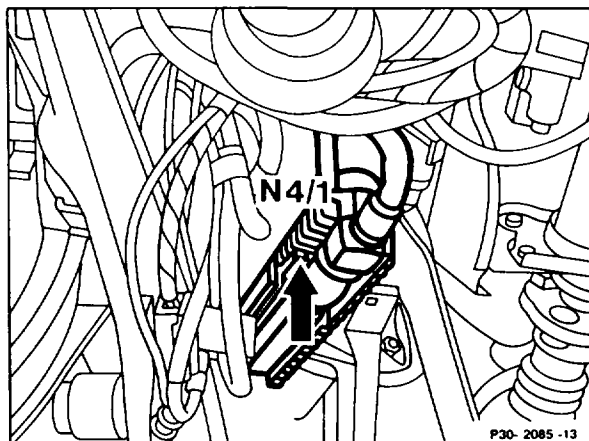
Models 124, 129



Model 201

Battery .....	disconnect, connect.
Coupling of wiring harness .....	unplug from electronic accelerator pedal control unit (N4/1), plug in.
Electronic accelerator pedal control unit (N4/1) ..	remove, install.

**Note**  
On model 126 the electronic accelerator pedal control unit (N4/1) is located in the left footwell. To remove and install, take off trim, insert.



Model 126