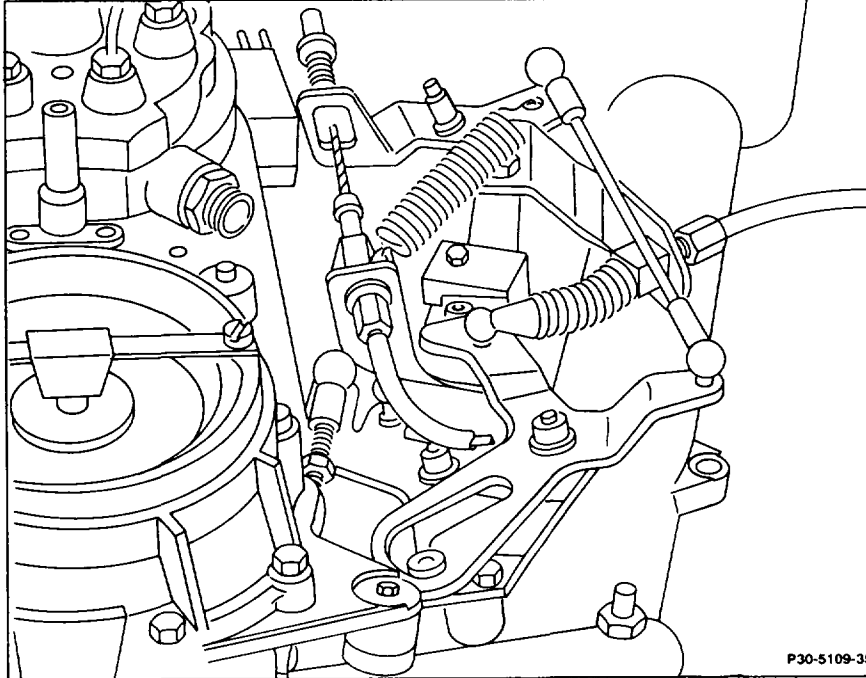


## 30-0010 Lubricating accelerator control linkage, checking ease of movement and wear (after engine wash)

---



### Lubricating

After each engine wash and preservation of the engine compartment, lubricate all bearing points, all accelerator control levers and joints of the accelerator control linkage with an oil can.

Following this, check ease of movement and wear.

The bowden cable is maintenance-free and does not need to be lubricated.

On vehicles in (USA) version only the following hydraulic oils may be used for this purpose:

Castrol DB Hydraulik Fluid

Mobil Aero HFA

Shell Aero Fluid 4