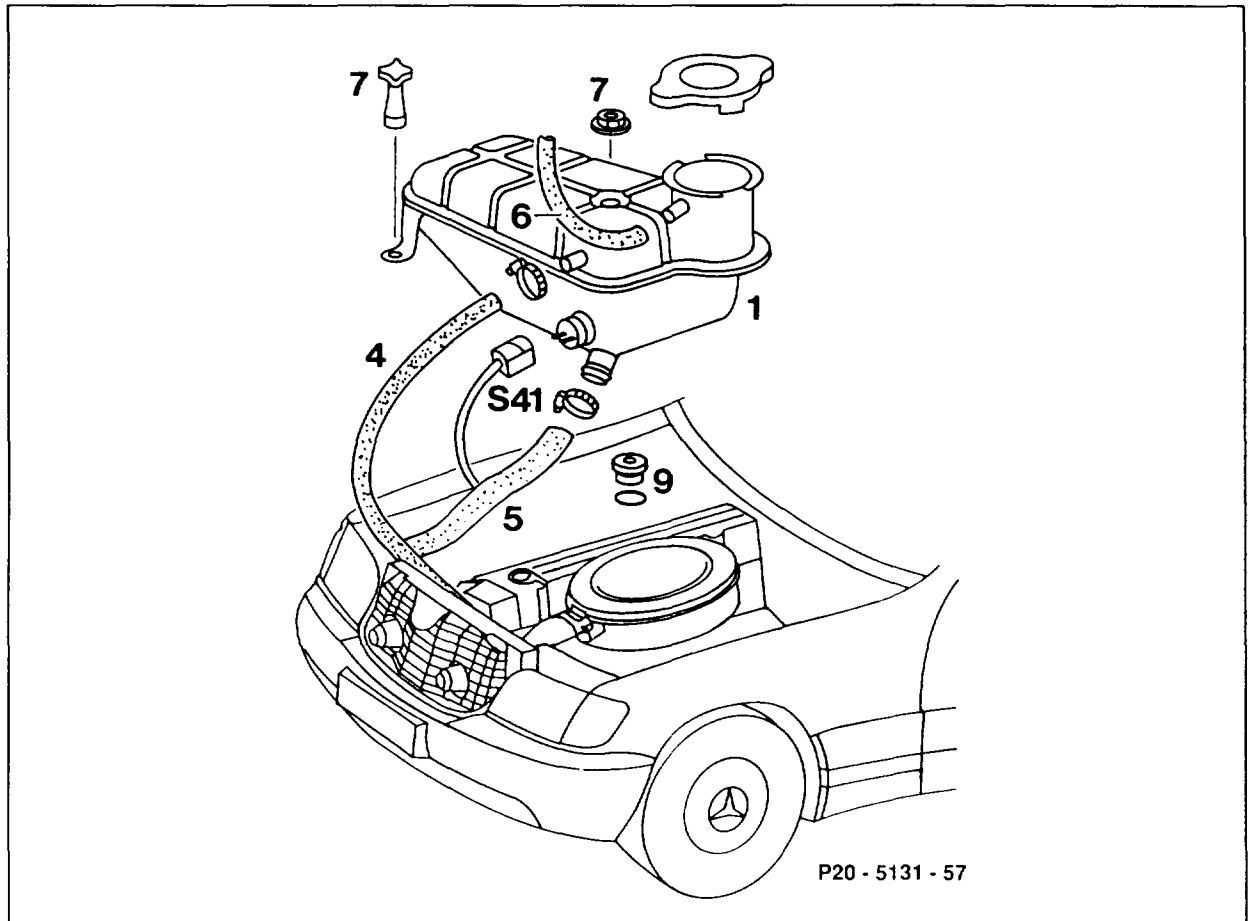


20-4500 Removing and installing expansion tank

Preceding work:
Warning instructions when hood open (01-0085).

Operation no. of operation texts and work units or standard texts
and flat rates

A. Models 124, 201

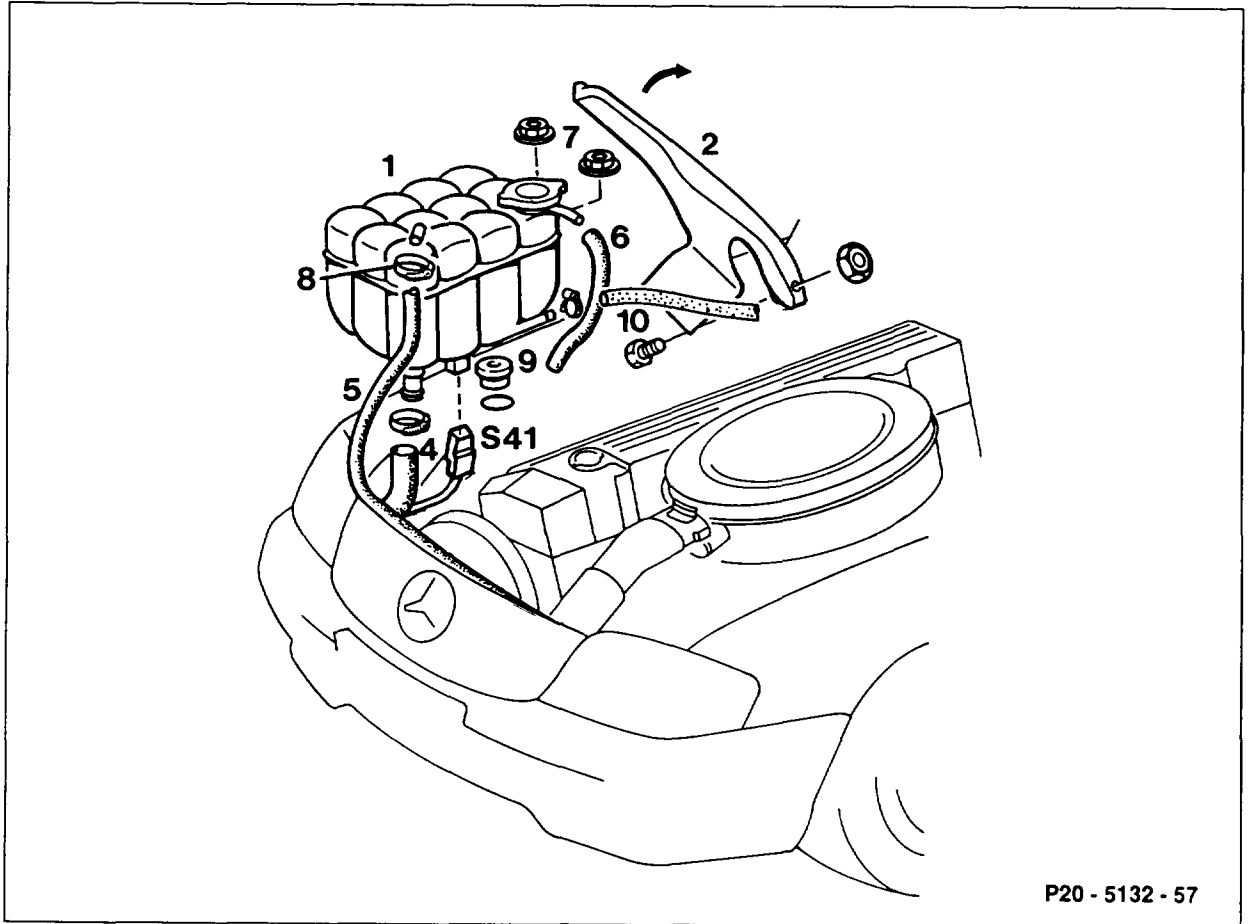


Cap of expansion tank (1)	open (release pressure).
Coolant	drain (until expansion tank is empty), pour into system (20-0100).
Connector of plug connection (S41) of coolant level gauge	unplug, plug in.
Coolant hoses (4), (5)	disconnect, connect.
Coolant hose (6) to overflow tank	detach, fit on.
Nuts (7) or lever nut, model 201	unscrew, screw on.
Expansion tank (1)	remove, install.



Pay attention to rubber mount (9) of expansion tank (1).

B. Model 129



P20 - 5132 - 57

Cap of expansion tank (1)	open (release pressure).
Coolant	drain (until expansion tank is empty), pour into system (20-0100).
Cover (2)	unscrew, lift up, install.
Connector of plug connection (S41) of coolant level gauge	unplug, plug in.
Coolant hoses (4), (5)	disconnect, connect.
Coolant hose (6) to overflow tank	detach, fit on.
Vent line (10) (if fitted)	take off, fit on, see note.
Nuts (7)	unscrew, screw on.

Expansion tank (1) remove, install.



Pay attention to rubber pad (9) of expansion tank (1).

Note

As of vehicle ident end no. 001 950 an expansion tank with the identification 129 500 03 49 (previously 129 500 01 49) on the top of the tank has been fitted.

This tank has a modified vent connection which ensures improved venting of the cooling system. When performing repairs, install this tank.

As of vehicle ident end no. 022 921 an expansion tank with a vent line to the heating system has been installed.