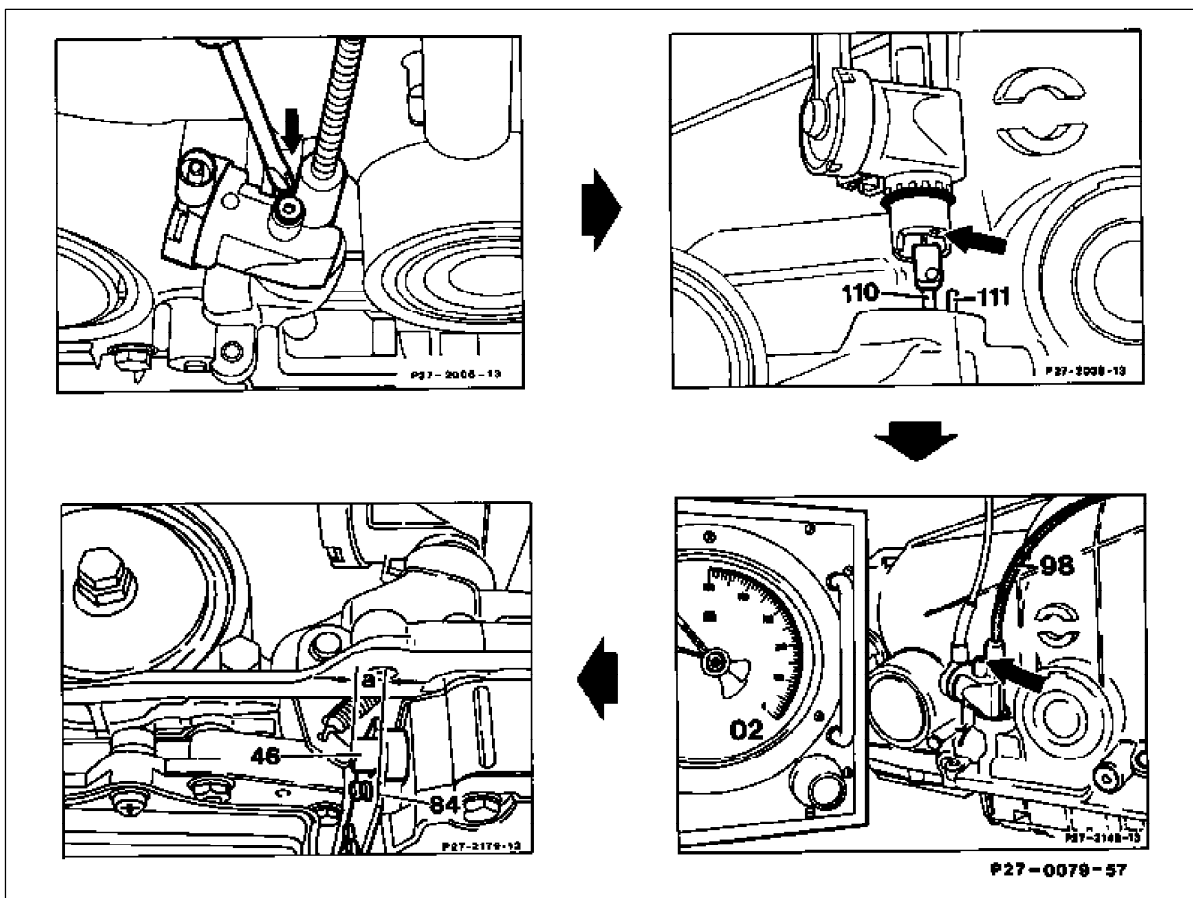


27-115 Removing, installing and adjusting control pressure cable with vacuum actuator

Operation number of the operation texts and work units or standard texts and flat rates:
27-6820

A. Vehicles with program selector switch



P27-0079-57

Note

On model 201 the control pressure cable with vacuum actuator can only be replaced with the transmission removed.

Control pressure cable lock (arrow) _____

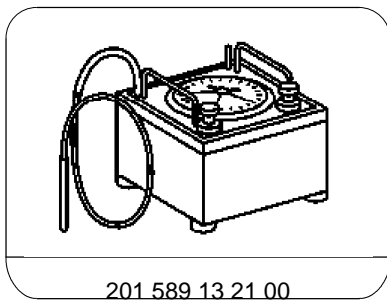
Unscrew with a screwdriver and detach from connecting rod (110). Remove transmission oil pan to install. Hook connecting rod (110) onto control pressure cable (98). Feed limiting rod (111) into bore (arrow) and insert control pressure cable. Rotate control pressure cable until lock engages.

Connect to vacuum actuator and apply vacuum.
 Pull control pressure cable as far as full-load stop.
 Measure between front face of control pressure valve (46) and closure plate (84).
 Specified value: 8 mm on 4-cylinder engines
 6 mm on 6-cylinder engines.
 Adjust distance "a" as necessary with hexagon socket bolt (arrow).

Distance "a" _____

Test step	Test connection:	Operation/Requirement	Specified value	Possible cause/remedy
Scope of test	Tester			
Checking vacuum at vacuum actuator for control pressure cable	Connect vacuum tester with Y-piece to vacuum actuator of control pressure cable	Engine at idle, Program selector switch at position "E"	Approx. 400 mbar	Transmission mode switchover valve (Y4) Transmission mode switch (S16/5) Vacuum line
		Position "S"	0 bar	

Special tool



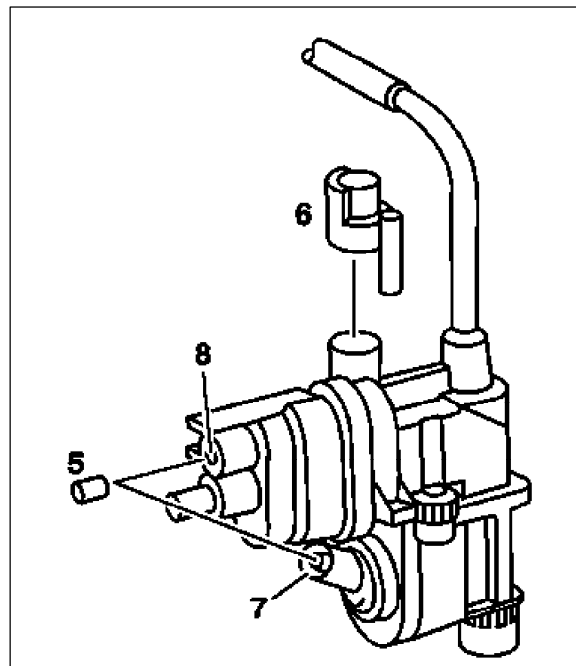
Note

Phased in as of 07/93, a standardized control pressure cable has been fitted in the body.

The control pressure cable with 2 vacuum actuators in the plastic housing is also used for the transmission which does not need the two vacuum actuators.

The upshift delay vacuum actuator (8) should be sealed with a blind plug (5) to prevent contamination. The vent connection is to be provided with a cap (6).

- 5 Blind plug
- 6 Cap
- 7 Vacuum actuator with selector program
- 8 Vacuum actuator with upshift delay



P27-5241-15