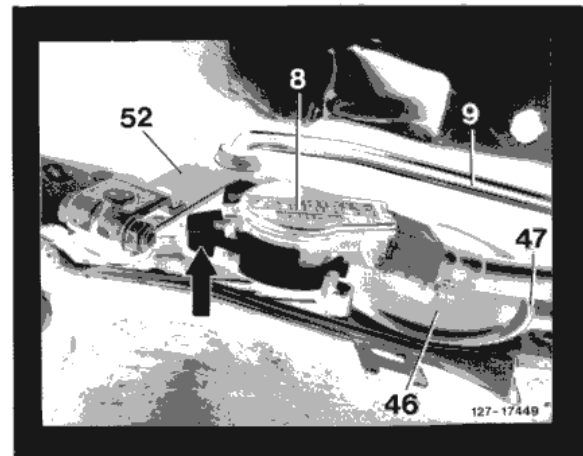


27-130 Removal, installation and adjustment of starter lockout switch

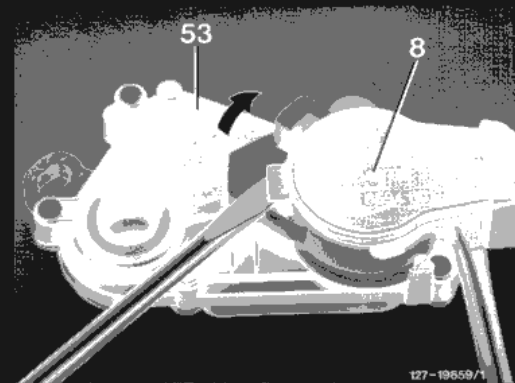
Removal

1 Loosen detent for plug of starter lockout switch (8), while turning white plastic ring (arrow) upwards in direction of arrow.

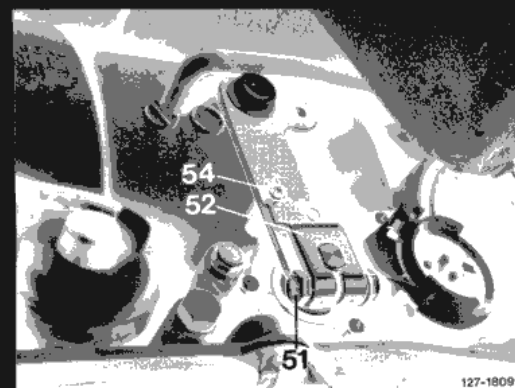
2 Disconnect shift rod (9).



3 Carefully push off plug at cable outlet end and at tongue by means of two screw drivers.



4 Unscrew hex. bolt (51) and pull off range selector lever (52).

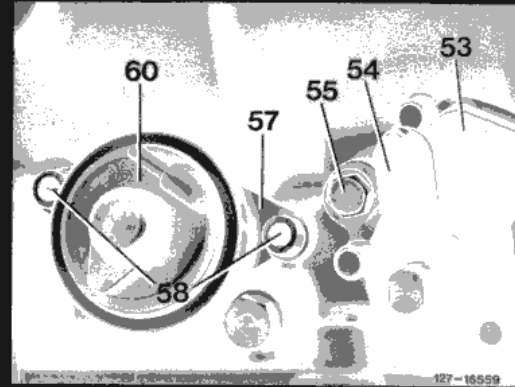


27.5-130/1 F2

5 Unscrew both screws and remove starter lockout switch (53).

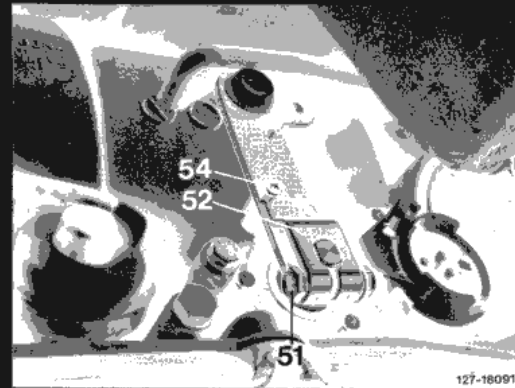
Installation

6 Position starter lockout switch (53), screw-in both fastening screws (55) but do not yet tighten.



7 Mount range selector lever (52) in such a manner that driver (54) engages. Set range selector lever to position "N".

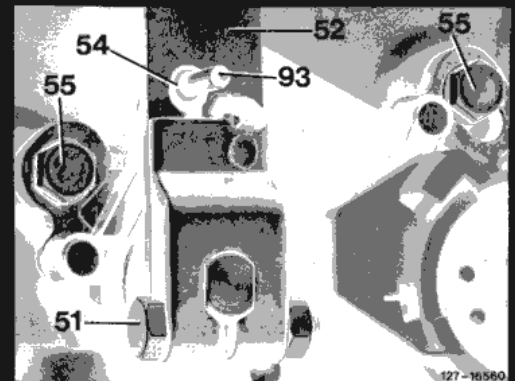
8 Insert hex. screw (51) and tighten.



Adjusting

9 Insert a 4-mm cotter pin or twist drill through driver (54) into locating bore in switch housing.

10 Tighten fastening screws (55), pull out locating pin (93).



11 Engage control rod (9) and secure with clip.

12 Push-on plug (8) and turn white plastic ring in downward direction (opposite to direction of arrow).

