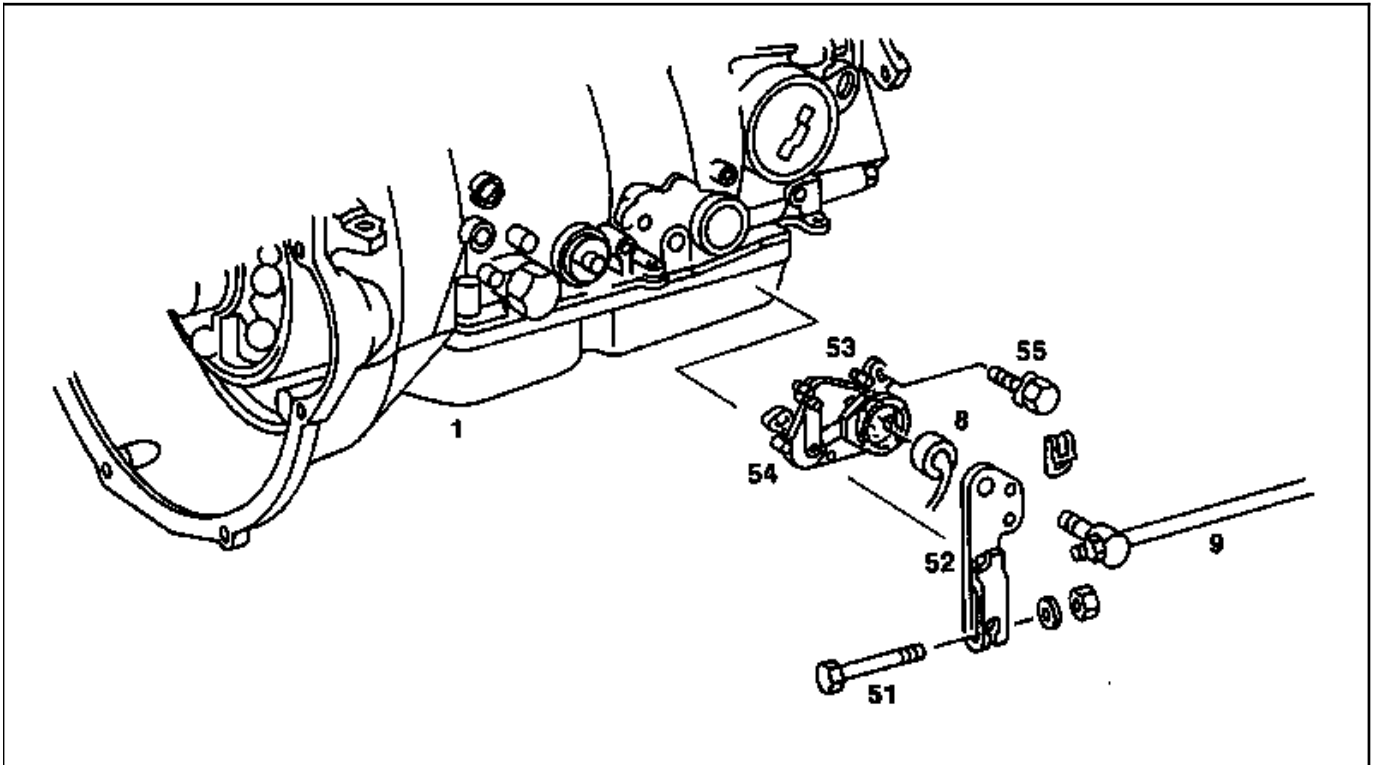


27-130 Removing, installing and adjusting starter lockout switch

Operation number of the operation texts and work units
or standard texts and flat rates:

27-1280

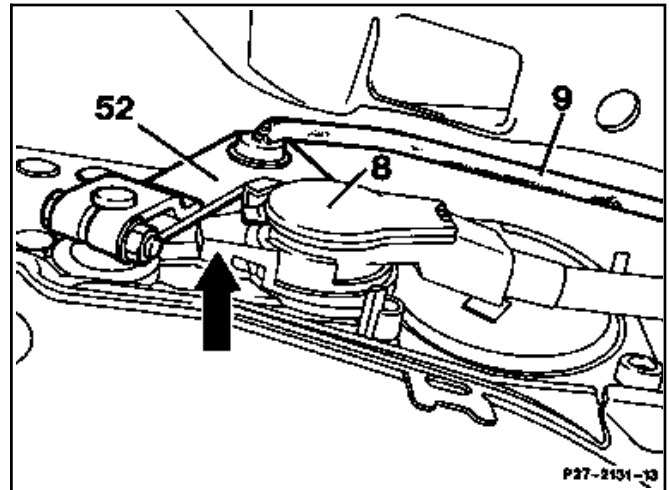


P27-5315-55

- | | |
|--|---|
| Plug of starter lockout switch (8) | Turn locking device upwards and press of carefully using two screwdrivers (items 1 and 2). |
| Shift rod (9) | Take off after removing locking clip (item 3). |
| Range selector lever (52) | Remove after unscrewing hexagon bolt (51). When installing, ensure that driver (54) engages in range selector lever (item 4). |
| Starter lockout switch (53) | To remove, unscrew hexagon bolts (55). When installing, insert drift (4 mm dia.) through driver (54) and locating bore in shift housing and locate starter lockout switch (item 5). |

Removing and installing

- 1 Release locking device for starter lockout switch plug (8) by turning white plastic ring (arrow) upwards in direction of arrow.
- 2 Carefully press off plug using two screwdrivers at the cable output and the tab.
- 3 Unhook shift rod (9) after removing the retaining clip.

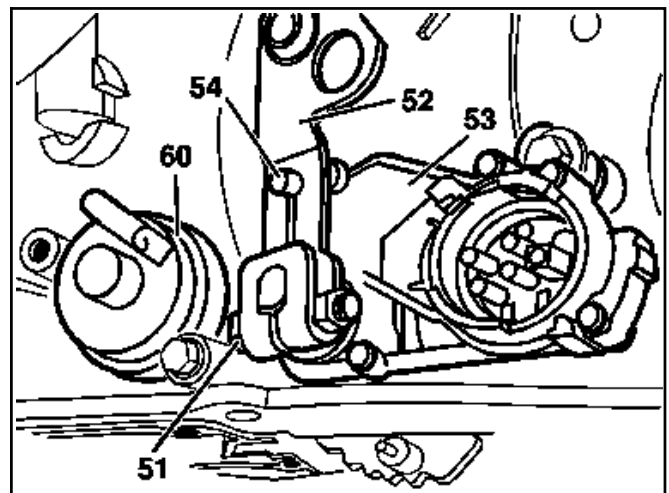


P27-2131-13

- 4 Unscrew hexagon bolt (51) and pull off range selector lever (52).

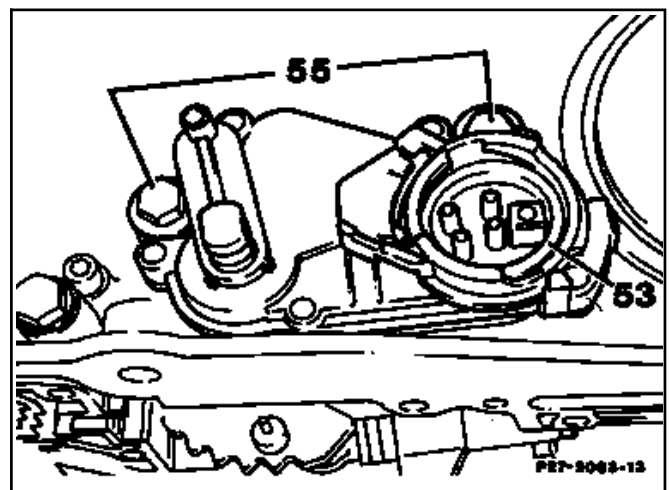
Installation note

Attach range selector lever in such a way that the driver (54) engages in the lever.



P27-5337-13

- 5 Unscrew both bolts (55) and remove starter lockout switch (53).



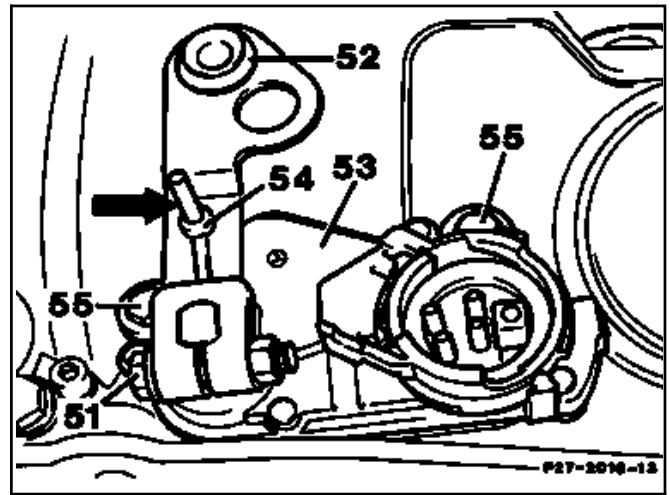
P27-2093-13

Installation note

Move range selector lever to position "N".

Insert splint or drill bit (4 mm dia.) through driver (54) into locating bore in shift housing, then tighten retaining bolts (55). Pull out locating pin (arrow).

6 Install in the reverse sequence.



P27-2016-13