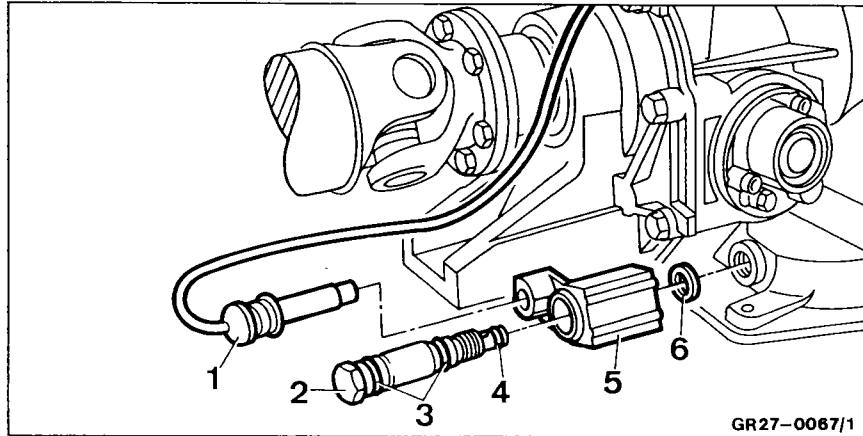


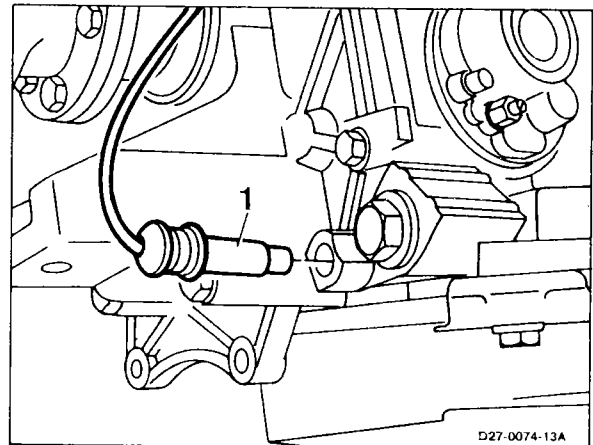
Tightening torques



Item no.	Designation	Nm
2	Kick-down solenoid valve	30

Removal and installation

1 Remove plug (1).



2 Unscrew kick-down solenoid valve (2) with solenoid (5), O-ring (3/4) and sealing ring (6).

Install in reverse sequence.

Note: Replace O-rings (3/4) and sealing ring (6). Tighten kick-down solenoid valve to 30 Nm.

