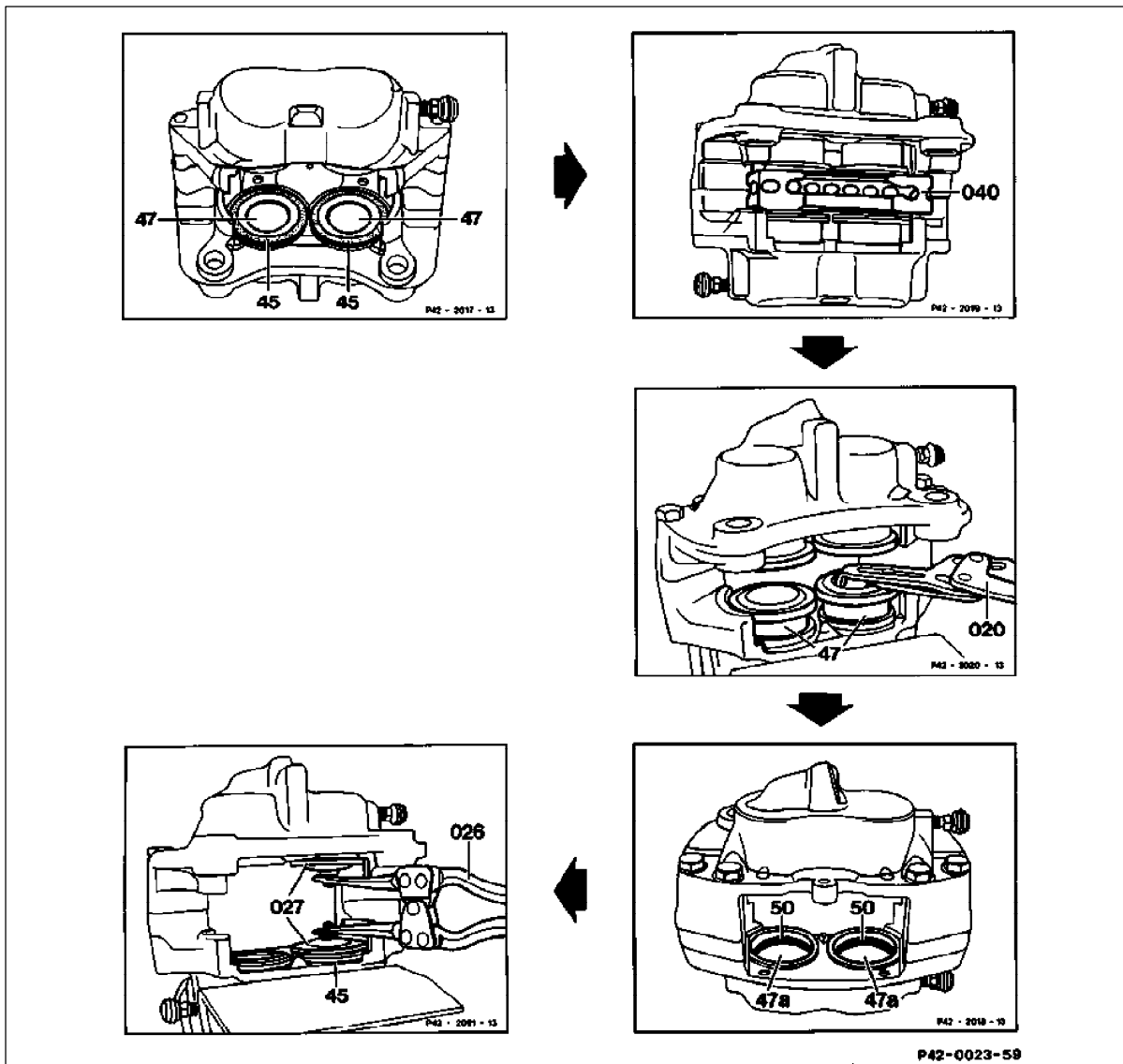


42-0150 Disassembly and assembly of fixed caliper, replacement of parts according to condition

Preceding work:
Remove brake pads (42-0160)
Remove fixed caliper on front axle or rear axle (42-0100 or 0120).

Operation no. of operation texts and work units or standard texts and flat rates
42-5183, 42-5185

A. Front axle



M

Do not separate the two halves of the fixed caliper, because the mounting bolts are tightened to a certain torque at the production plant. Failure to observe could result in leaking fixed calipers.

Dust cap (45) _____	press off housing with screwdriver.
Metal segment, 28 mm thick (040) _____	insert into fixed caliper, then carefully force pistons (47) out against stop with compressed air. A part of a brake disc may be used as the metal segment.
Piston (47) _____	remove with piston turning tongs (020) 000 589 50 37 00. If the pistons are seized due to rust, install new fixed caliper. Remove any deposits on the piston with a soft brass wire brush or rough cloth. Do not use polishing or emery cloth on the piston to prevent damaging the chrome-plated surface. If damage to the chrome plating is noticed, replace piston.
Piston seal (50) _____	remove out of groove in cylinder bore. Check cylinder bores in fixed caliper for signs of wear. If bores are scored or rusted, replace complete fixed caliper. Narrow, light rust spots in the bore can be removed with polishing cloth, more severe rust in front of the groove for the piston seal can be removed with fine emery paper (grain size 380 to 500). Lightly coat new piston seal with ATE brake cylinder paste and insert into groove in cylinder bore.
Piston (47) _____	insert into bore in fixed caliper (47a). Install dust cap (45) on piston and position at collar of fixed caliper.
Dust cap (45) _____	press onto collar of fixed caliper with pliers (026) 000 589 49 37 00 and appropriate discs (027).

Data

Model	Fixed caliper brand	Housing dia. new 1) <u>bottom</u> top	Shaft width for brake pads	Brake disc dia.	Brake disc thickness
124.036 5) 201.036	Teves Brembo 2)	37.98 - 38.03 41.98 - 42.03	100+0.15	300 ± 0.4	28

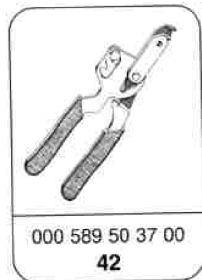
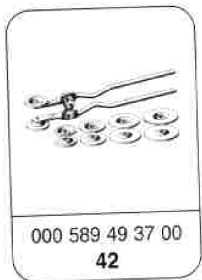
124.008 8)	124.029 8)	Teves	37.98 - 38.03	100+0.15	295-0.4	22
124.031	124.032 8)		41.98 - 42.03			
124.034 3)	124.051					
124.052 8)	124.061					
124.091	124.092 8)					
124.008 9)	124.029 9)	Teves	37.98 - 38.03	100+0.15	294 ± 0.4	25
124.032 9)	124.034 4)		41.98 - 42.03			
124.052 9)	124.066					
124.092 9)						
124.034 6)	124.036 7)	Girling	39.98 - 40.03	100+0.2	320 ± 0.4	30
		Lucas	43.98 - 44.03			

- 1) The housing diameter at the outer section of the bore may be exceeded by up to 0.1 mm by polishing with emery cloth for repair.
- 2) Light alloy brake caliper (models 124.036 up to 01/93 and 201.036 Evolution II only).
- 3) H I model year 92.
- 4) Up to 02/93, H I as of model year 93.
- 5) Up to 01/93 and H I .
- 6) As of 03/93, except H I .
- 7) As of 02/93, except H I .
- 8) Up to 10/92.
- 9) As of 11/92.

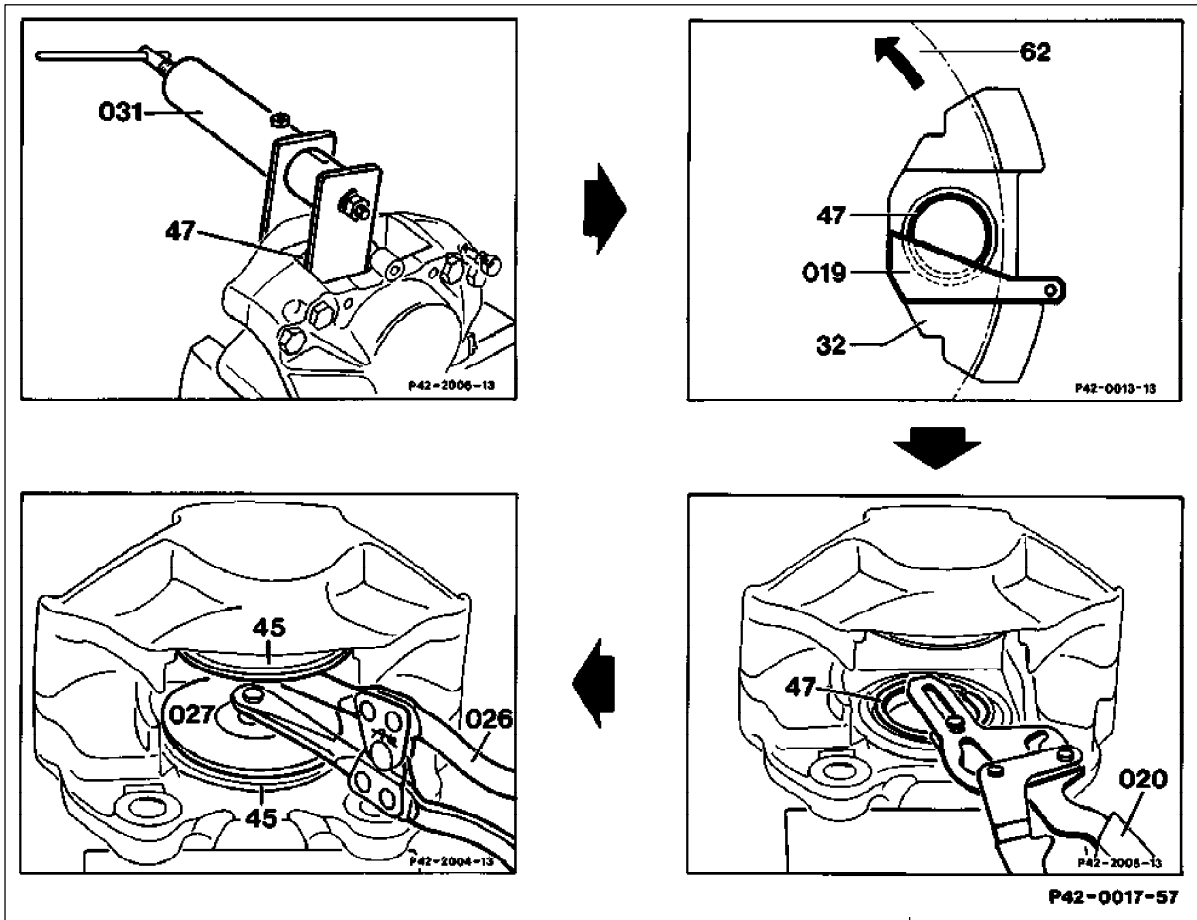
Lubricant

ATE brake cylinder paste

Special tools



B. Rear axle



M

Do not separate the two halves of the fixed caliper, because the mounting bolts are tightened to a certain torque at the production plant. Failure to observe could result in leaking fixed calipers.

Dust cap (45) _____ press off housing with screwdriver.

Piston (47) _____ hold with resetting tool (031) 000 589 52 43 00. Then carefully press out opposing piston with compressed air, remove piston with turning tongs (020) 000 589 50 37 00 if necessary. If the pistons are seized due to rust, install new fixed caliper. Remove any deposits on the piston with a soft brass wire brush or rough cloth. Do not use polishing or emery cloth on the piston to prevent damaging the chrome-plated surface. If damage to the chrome plating is noticed, replace piston.

Piston seal _____ remove out of groove in cylinder bore. Check cylinder bores in fixed caliper (32) for signs of wear. If bores are scored or rusted, replace complete fixed caliper. Narrow, light rust spots in the bore can be removed with polishing cloth, more severe rust in front of the groove for the piston seal can be removed with fine emery paper (grain size 380 to 500). Lightly coat new piston seal with ATE brake cylinder paste and insert into groove in cylinder bore.

Piston (47) _____ insert piston into bore in fixed caliper (32) so that the elevated section (marked black) on the piston points upward when the fixed caliper (32) is installed. The elevated section ensures one-sided contact of the brake pads during braking. This reduces the tendency to squeak. For this purpose insert gauge (019) 000 589 35 23 00 and turn piston with piston turning tongs (020) 000 589 50 37 00. Install dust cap (45) on piston and position at collar of fixed caliper (32).

Dust cap (45) _____ press onto collar of fixed caliper with pliers (026) 000 589 49 37 00 and appropriate discs (027).

Data

Model	201.01 201.02 201.1	124.01 124.020 124.021 124.022 124.023 124.026 124.028 124.030 124.04 124.050 124.120 124.125 124.126 124.128 124.13 124.226 124.230 124.33 201.034 201.035	124.092 5)	124.003 124.004 124.007 124.027 124.031 124.032 124.051 124.052 124.06 124.07 124.08 124.090 124.10 124.127 124.129 124.18 124.19 124.29 124.39 201.036	124.034 124.036 2)	124.008 124.029 124.091 124.092 4)	124.036 3)
Brand and version	ATE 35, Bendix fixed caliper for lining thickness of 13.5 mm	ATE 35, Bendix fixed caliper for lining thickness of 15.5 mm	ATE 36 Fixed caliper	ATE 38 Fixed caliper	ATE 38 Fixed caliper	ATE 42 Fixed caliper	Bendix 46 Fixed caliper

Housing dia., new 1)	34.98 35.03	34.98 35.03	35.99 36.03	37.99 38.03	37.99 38.03	41.99 42.03	45.99 46.03
Shaft width for brake pads	62+0.2	62+0.2	62+0.2	62+0.2	62+0.2	62+0,2	62+0.2
Brake disk thickness	9	9	10	9	24	20	22
Brake disk dia.	258±0,4	258±0,4	290±0,4	278±0,4	278±0,4	278±0,4	300±0,4

- 1) The housing diameter at the outer section of the bore may be exceeded by up to 0.1 mm by polishing with emery cloth for repair.
- 2) Up to 01/93 and H I .
- 3) As of 02/93, except H I .
- 4) Up to 03/95
- 5) As of 04/95

Lubricant

ATE brake cylinder paste

Special tools

