

P35.10-0223-09

Fig. item etc.	Work instructions		
Installation	Replace self-locking nuts and bolts		
Danger!	Risk of death caused by vehicle slipping or toppling off of the lifting platform.	Align vehicle between columns of vehicle lift and position four support plates at vehicle lift support points specified by vehicle manufacturer.	AS00.00-Z-0010-01A
	Assembly attachment		*140589016200
1a	Remove/install front rubber mount in rear axle mount	Extraction and insertion tool Lubricant paste	AR35.10-P-0040-02C *210589014300 *BR00.45-Z-1002-06A
1b	Remove/install rear rubber mount in rear axle mount	Extraction and insertion tool Lubricant paste	AR35.10-P-0040-03C *210589014300 *BR00.45-Z-1002-06A
1c	Front bolt, rear axle mount	Installation: Recut thread on frame floor with tap. Nm	*BA35.10-P-1001-01A
1d	Rear bolt, rear axle mount	Installation: Recut thread on frame floor with tap. Nm	*BA35.10-P-1002-01A
105c	Exhaust shielding plate		
105e	Rear muffler rubber rings		
127	Bracket for seat belt anchorage	Nm Only detach on the right side.	*BA91.40-P-1008-01A

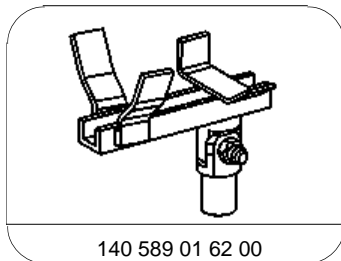
Rear axle carrier

Number	Designation	Model 210
BA35.10-P-1001-01A	Self-locking bolt, front rear axle carrier rubber mount to frame floor	Nm 90

		with bolt Flange Ø 24 mm	Stage 1	Nm	-
			Stage 2	Δ°	-
		with bolt flange Ø 26 mm	Stage 1	Nm	-
			Stage 2	Δ°	-
BA35.10-P-1002-01A	Self-locking bolt, rear axle carrier rear rubber mount to frame floor	-		Nm	90
		with bolt Flange Ø 24 mm	Stage 1	Nm	-
			Stage 2	Δ°	-
		with bolt flange Ø 26 mm	Stage 1	Nm	-
			Stage 2	Δ°	-

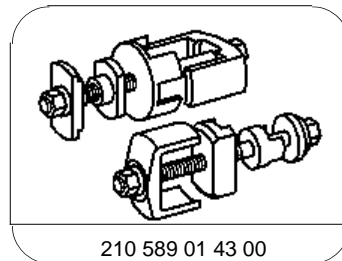
Nm Seat belts/emergency tensioning retractors

Number	Designation	Model 210
BA91.40-P-1008-01A	Nut for bracket holding safety belt anchorage to floorpan	Nm 280



140 589 01 62 00

Assembly attachment



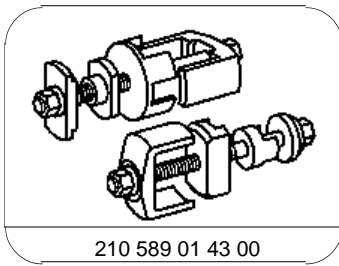
210 589 01 43 00

Extraction and insertion tool

Repair materials

Number	Designation	Order number
BR00.45-Z-1002-06A	Lubricating paste, rubber parts 2.5 kg, DB supply specification 6867.00	A 000 989 01 60

AR35.10-P-0040-02C	Remove, install front rubber mount in rear axle mount		
--------------------	---	--	--



210 589 01 43 00

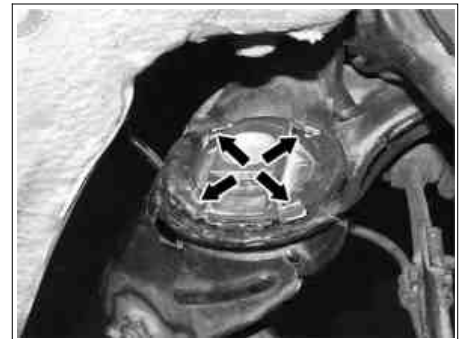
Removal and installation tool

Repair materials

Number	Designation	Order number
BR00.45-Z-1002-06A	Lubricating paste, rubber parts 2.5 kg, DB supply specification 6867.00	A 000 989 01 60

Removing rubber mounts

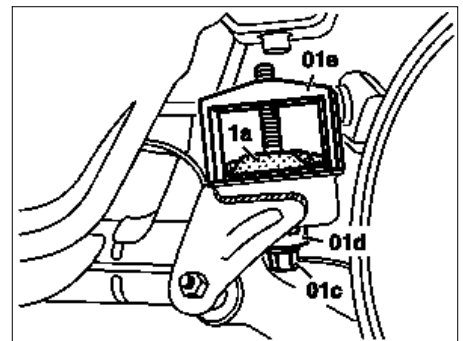
- 1 Bend up all four tabs at rubber mount (arrows) using a suitable tool.



P35.10-2073-01

- 2 Attach puller tool (01c, 01d, 01e) for rubber mount (1a) to rear axle carrier.

- 1a Rubber mounts
- 01c Hexagon bolt
- 01d Thrust piece, part 02
- 01e Puller, part 01



P35.10-0225-01



If glycol oil is still in rubber mount, cover rubber mount with a suitable cloth or rag (arrow) (wear safety glasses).

- 3 Press inner core of rubber mount out of rear axle carrier using puller tool.



P35.10-2069-01

4 Remove puller tool and inner core of rubber mount (arrow).



Wipe away any glycol oil that has flowed out of rear axle carrier.



P35.10-2070-01

5 If possible press out rubber mount jacket (arrows) using a suitable tool



P35.10-2071-01



If the rubber mount jacket cannot be pressed out of the rear axle carrier, press in rubber mount jacket forcefully from outside and lever out at lower edge (arrow) using a suitable tool (assembly lever).



Ensure that rear axle carrier is not damaged near rubber mount seat.



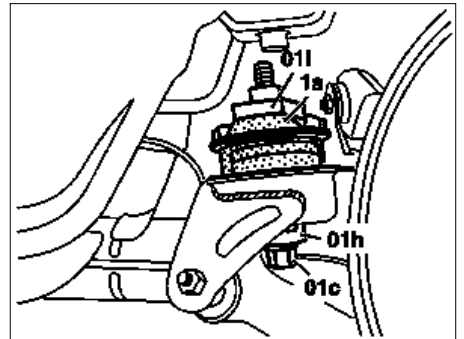
P35.10-2072-01

Installing rubber mounts

6 Grease rubber mount (1a) around circumference with lubricant.

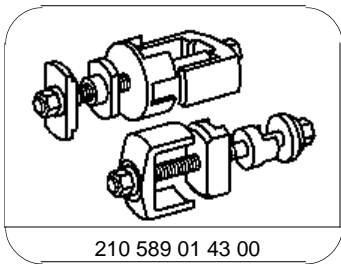
7 Install rubber mount (1a) using insertion tool (01c, 01h, 01i).

- 1a Rubber mounts
- 01c Hexagon bolt
- 01h Insertion tool, lower part 04
- 01i Thrust piece, part 03



P35.10-0226-01

AR35.10-P-0040-03C	Removing and installing rear rubber mounts of rear axle		
--------------------	---	--	--



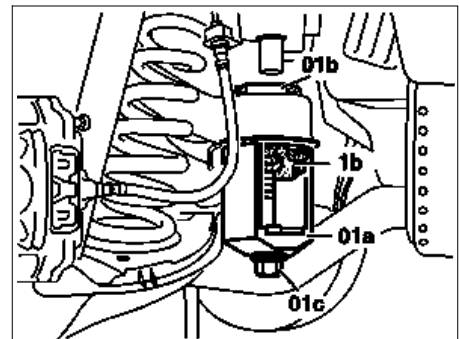
Removal and installation tool

Repair materials

Number	Designation	Order number
BR00.45-Z-1002-06A	Lubricating paste, rubber parts 2.5 kg, DB supply specification 6867.00	A 000 989 01 60

Removing rubber mount

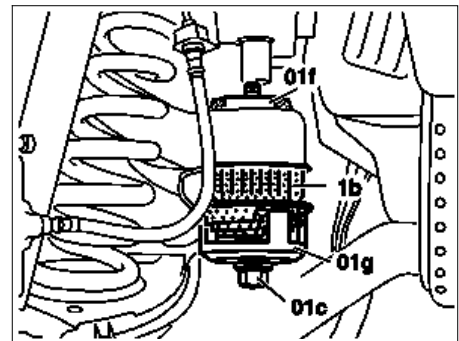
- 1 Press rubber mount (1b) out of rear axle carrier using extractor (01a-01c).



P35.10-0227-01

Installing rubber mount

- 2 Smear periphery of rubber mount (1b) with lubricant.
- 3 Pull in rubber mount (1b) using installation tool (01c, 01f, 01g).



P35.10-0228-01