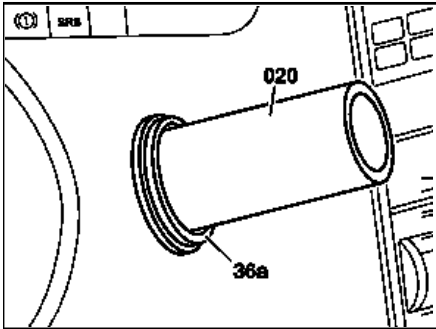
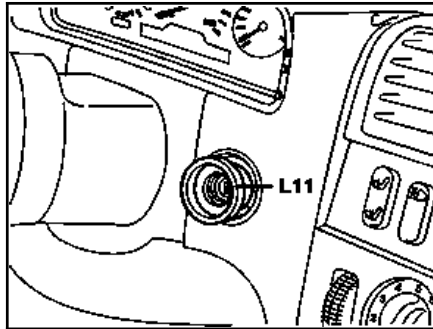


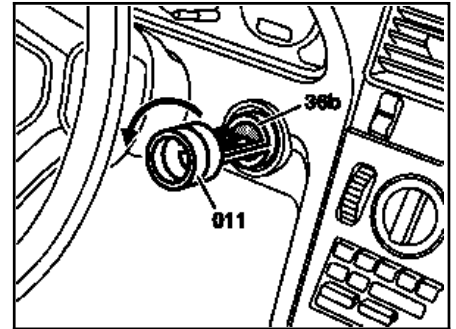
MODEL 129, 140 as of 1.9.95,  
210



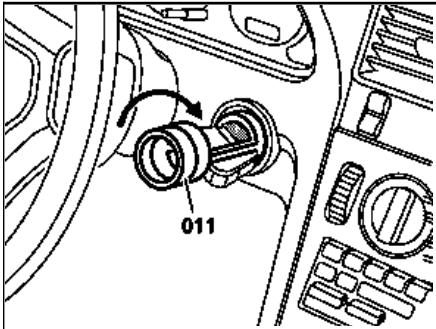
P46.10-0301-01



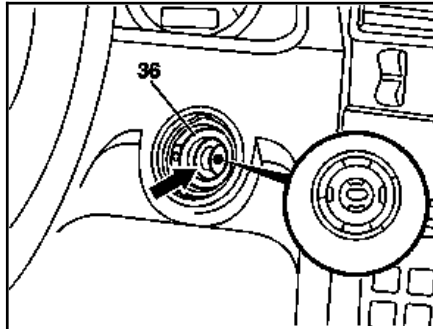
P46.10-0378-01



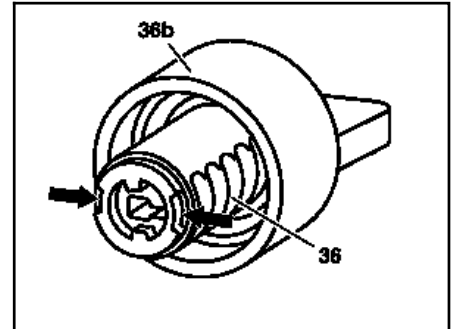
P46.10-0274-01



P46.10-0278-01



P46.10-0389-01

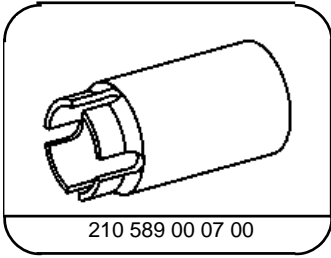


P46.10-0275-01

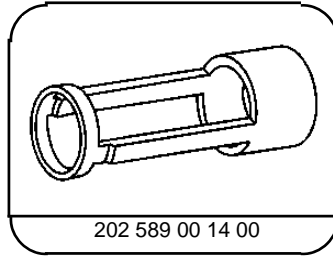
	<b>Removing</b>		
<b>Before removal</b>	If lock cylinder/key is notchy or jamming, spray lock cylinder with lock cylinder grease	If it is not possible to eliminate the complaint, replace lock cylinder <b>and key</b>	
<b>BR</b>		Grease	<a href="#">*BR00.45-Z-1079-06A</a>
1.1	Unscrew escutcheon (36a) from instrument panel using a claw-type wrench (020)	Vehicles without drive authorization system	<a href="#">*210589000700</a>
2.1	Pull transponder coil (L11) off lock cylinder	Vehicles with drive authorization system Removing transponder coil Refer to: ↓ Models 129, 140 Model 210	<a href="#">AR80.30-P-4515CA</a> <a href="#">AR80.30-P-4515F</a>
3	Push sleeve (011) onto the cap (36b) and turn lock cylinder to position "1" with the key		<a href="#">*202589001400</a>
4	Unlock the lock cylinder by turning the cap (36b) counter-clockwise through 90° and remove.		
	<b>Installing</b>		
<b>BR</b>	Spray the outside of the lock cylinder (36) with lock cylinder grease and insert in the cap (36b)	Grease	<a href="#">*BR00.45-Z-1079-06A</a>
6	Push the key through the cap (36b) as far as the stop in the lock cylinder (36)	The tumblers must be fully retracted.	
7	Push lock cylinder (36) into the steering lock	The recesses (arrow) in the lock cylinder (36) must align with the recesses in the steering lock (arrow)	
8	Turn cap (36b) with sleeve (011) clockwise approx. 90° until it can be felt or heard to lock in position		<a href="#">*202589001400</a>
9	Turn key to position "0" and pull out/remove with sleeve (011)		
10.1	Screw escutcheon (36a) into the instrument panel using a claw-type wrench (020)	Vehicles without drive authorization system	<a href="#">*210589000700</a>
11.1	Press transponder coil (L11) onto the lock cylinder	Vehicles with drive authorization system Installing transponder coil Refer to: ↓ Models 129, 140	<a href="#">AR80.30-P-4515CA</a>

## Repair materials

Number	Designation	Order number
BR00.45-Z-1079-06A	Grease	A 001 989 26 51 10



Claw-type wrench for trim ring on  
ignition/starter switch



Sleeve