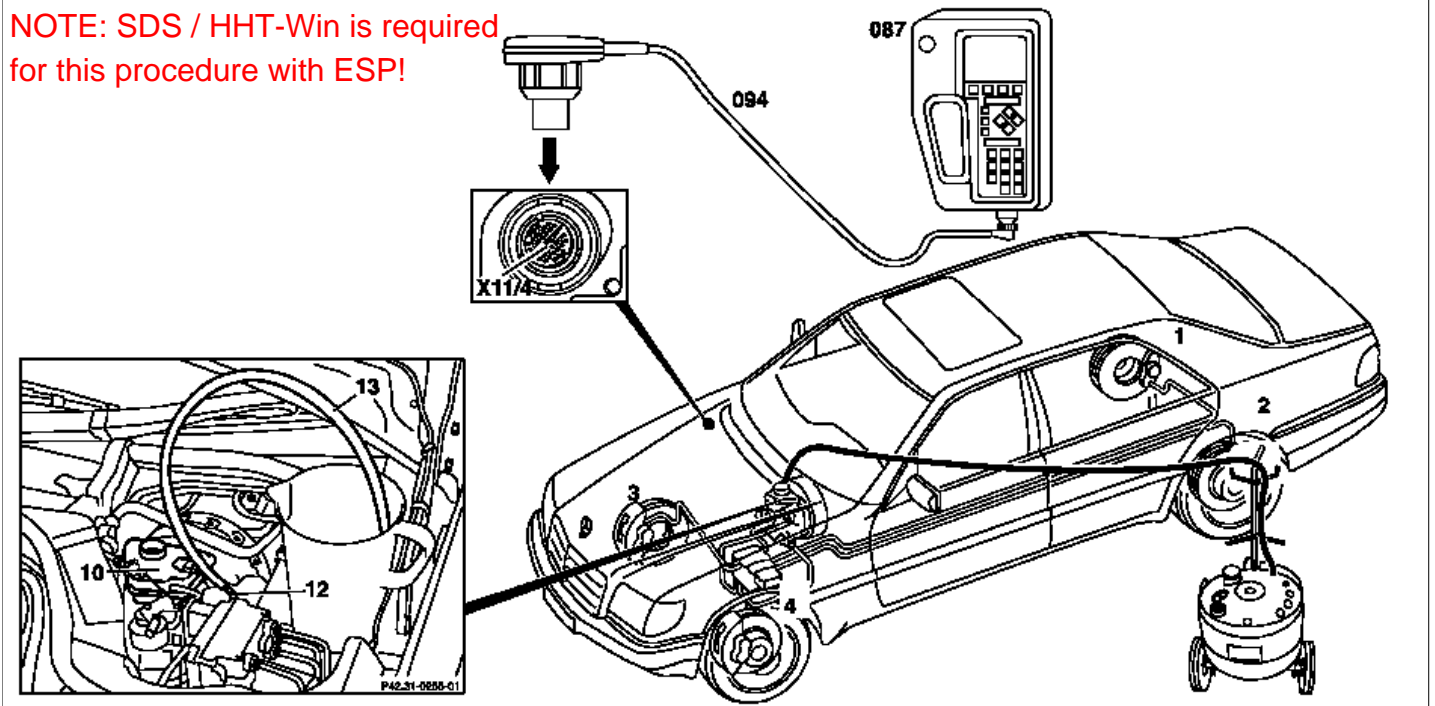


MODEL 129 with ENGINE 119, 120 with CODE (472) Electronic Stability Program (ESP)

MODEL 140 with CODE (472) Electronic Stability Program (ESP)

MODEL 210 with ENGINE 119 with CODE (472) Electronic Stability Program (ESP)

NOTE: SDS / HHT-Win is required for this procedure with ESP!



P42.31-0254-09

- 1 Right rear brake caliper
- 2 Left rear brake caliper
- 3 Right front brake caliper
- 4 Left front brake caliper
- 10 Reservoir

- 12 Return flow pipe
- 13 Hose piece
- 087 Hand-held tester
- 094 Test cable
- X11/4 Diagnostic socket (38-pin)

Picture item, etc.	Work instructions		
Danger!	Risk of poisoning caused by swallowing brake fluid. Risk of injury caused by brake fluid coming into contact with skin and eyes.	Only pour brake fluid into suitable and appropriately marked containers. Wear protective clothing and eye protection when handling brake fluid.	AS42.50-Z-0001-01A
	Brake fluid notes	All models	AH42.50-P-0001-01A
	Notes on repairs to brake system	All models	AH42.00-P-0003-01A
1	Note fluid level of brake fluid reservoir (10).		
2	Unscrew cap		
3	Empty chambers in the brake fluid reservoir (10) so that the base is still covered	Do not drain brake fluid reservoir (10) completely.	
4	Fill up reservoir (10) with new brake fluid	Takes ~300cc to refill empty reservoir	
5	Disconnect return line (12) from reservoir (10)	Small tube at top corner of reservoir	
6	Connect hose fitting (13) to return line		
7	Connect handheld tester (087) with test cable (Multiplexer) (094) to the diagnostic data link connector (X11/4)	Handheld tester (087) Test cable (multiplexer) (094)	
8	Switch on ignition		
9	Actuate precharging pump with handheld tester (087) and pump brake fluid out of the precharging circuit into a vessel until the reservoir (10) is emptied so that the base is still covered	NOTE: This is Activation #08 in HHT-Win menu. Each cycle will purge ~150cc of fluid.	
10	Connect brake fluid changing equipment	Follow the operating instructions for brake fluid changing equipment. Brake fluid change unit gotis://B_42/43.2_01	This is in HHT-Win main menu, "Bleed Brakes"

		Brake fluid	*BF42.10-P-1001-01A
11	Carry out the bleeding process as per the instructions in the handheld tester display: Bleed menu item brake system	Allow approx. 80 cm ³ to flow out of each brake cylinder.	
		Front axle, model 129, 140: Bleed screw to brake caliper Front axle model 210: Bleed screw to brake caliper Rear axle, model 129, 140: Bleed screw to brake caliper Rear axle model 210: Bleed screw to brake caliper Brake fluid	*BA42.10-P-1002-10I *BA42.10-P-1002-10F *BA42.10-P-1002-12I *BA42.10-P-1001-12F *BF42.10-P-1001-01A
12	Brake fluid changing equipment, and check brake fluid level, fill up if necessary in accordance with the level noted beforehand		

Front axle brake caliper

Number	Designation		Model 129	Model 140 without special protection	Model 140 with special protection
BA42.10-P-1002-10I	Bleed screw to brake caliper	Nm	7	7	7

Front axle brake caliper

Number	Designation		Model 210
BA42.10-P-1002-10F	Bleed screw to brake caliper	M8 Nm	7

Rear axle brake caliper

Number	Designation		Model 129	Model 140
BA42.10-P-1002-12I	Bleed screw to brake caliper	Nm	7	7

Rear axle brake caliper

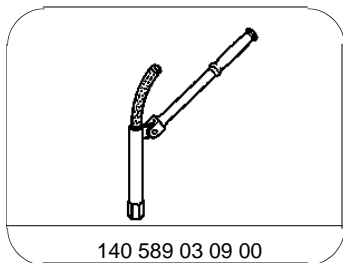
Number	Designation		Model 210
BA42.10-P-1001-12F	Bleed screw to brake caliper	Nm	7

 Brake fluid

Number	Designation	Model 129	Model 140
BF42.10-P-1001-01A	Brake fluid	Filling capacity	Liters
		≈0.45 to 0.6	≈0.7...0.9
		Sheet	Sheet
	Specifications for Operating Fluids	BB00.40-P-0330-01 A	BB00.40-P-0330-01 A
		Sheet	Sheet
		BB00.40-P-0331-00 A	BB00.40-P-0331-00 A

 Brake fluid

Number	Designation	Model 210
BF42.10-P-1001-01A	Brake fluid	Filling capacity
		Liters
		≈0.45 to 0.6
	Specifications for Operating Fluids	Sheet
		BB00.40-P-0330-01 A
		Sheet
		BB00.40-P-0331-00 A



140 589 03 09 00

Socket wrench