



Installation instructions

Fire extinguisher

86.1

Model 124

Revision: New fastening parts and new fire extinguisher

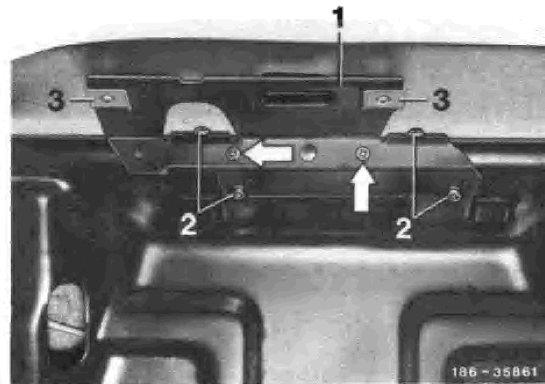
The mounting bracket for fire extinguisher is fastened to driver's seat cushion frame of lefthand driver's seat on lefthand steering vehicles by means of a fastening angle, or of righthand driver's seat on righthand steering vehicles.

1 Remove driver's seat.

2 Screw fastening angle to driver's seat cushion frame. The two fastening holes (arrow) on driver's seat cushion frame are standard and in place. Drill remaining fastening holes to 3.2 mm dia., using the existing holes in fastening angle as template.

3 Mount clip nut on fastening angle.

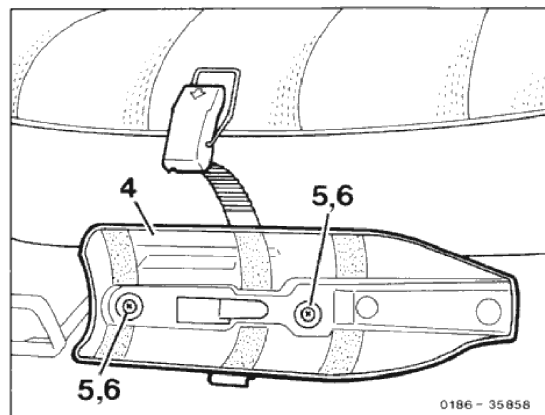
- 1 Fastening angle
- 2 Screw B 4.2 x 13
- 3 Clip nut



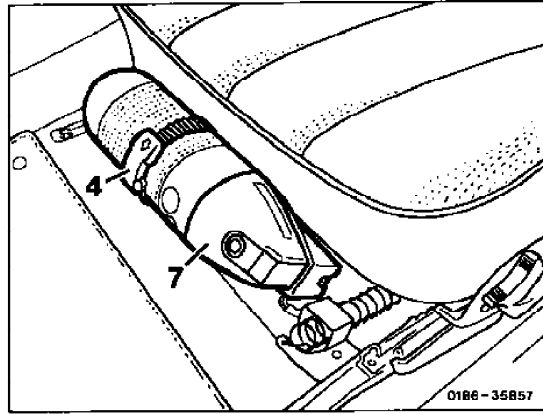
4 Screw mounting of fire extinguisher to fastening angle.

5 Reinstall driver's seat.

- 4 Mounting
- 5 Screw B 4.8 x 16
- 6 Countersunk sheet metal washer



6 Fasten fire extinguisher to mounting.



How-to-order note

The parts required for installation are shown in the following spare parts data:

Fire extinguisher and fastening members

SA 56.073

Available from: Plant 50 (PEW Sindelfingen)

