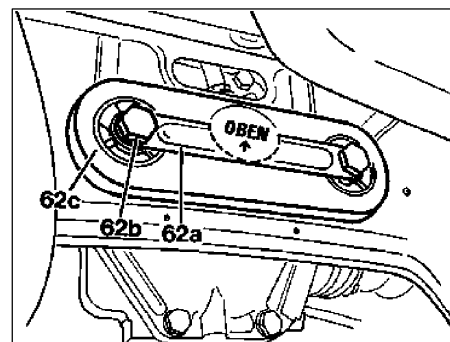


MODEL 124.026 /030 as of 18.3.91 up to 18.3.91,  
 124.036,  
 124.05 as of 18.3.91 up to 18.3.91,  
 124.09,  
 124.128 as of 18.3.91 up to 18.3.91,  
 124.133 /19 /23 /29

## Revisions

21.4.95	Remedy and table in parts ordering note modified		
---------	--------------------------------------------------	--	--

Damage code	Cause	Remedy	
41 001 20	Vibration in drive train.	1 Balance propeller shaft in vehicle.  ↓ If complaint is still present:  ↓	ra41001070080x
		2 Screw vibration damper (62c) on rear mount for rear axle center assembly, see table for tightening torque.	



P41.10-0036-01

## Nm Rear axle center assembly housing

Number	Designation		Model 124
BA35.31-P-1004-02A	Retaining screw for fastening vibration damper and rear axle housing to rear axle carrier	Nm	150

## Parts ordering note

Part no.	Designation	Quantity
124 350 06 75	Vibration damper	1