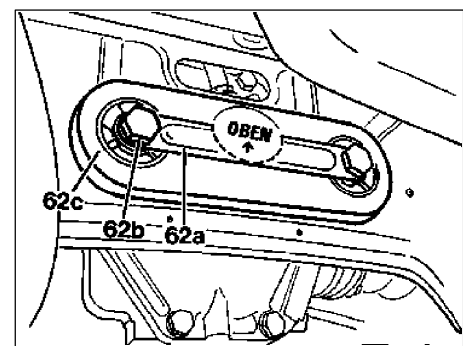


MODEL 124 as of 1.9.89 up to 31.12.89

Parts ordering note

| | | | |
|---------|--------------------|--|--|
| 1.12.97 | References changed | | |
|---------|--------------------|--|--|

| Damage code | Cause | Remedy | |
|-------------|--------------------------|----------------------------------------------------------------------------------------------------------------|----------------|
| 41 001 20 | Vibration in drive train | 1 Remove three-arm flange for propeller shaft on transmission side. | ra4100107b050x |
| | | 2 Turn three-arm flange for propeller shaft 120° to right. | |
| | | 3 Reinstall three-arm flange for propeller shaft on transmission side. | ra4100107b050x |
| | | ↓ | |
| | | If complaint is still present: | |
| | | ↓ | |
| | | 4 Repeat steps 1-3 again. | |
| | | ↓ | |
| | | If complaint is still present: | |
| | | ↓ | |
| | | 5 Remove three-arm flange for propeller shaft on rear axle side. | ra4100107b050x |
| | | 6 Turn three-arm flange for propeller shaft 120° to right. | |
| | | 7 Reinstall three-arm flange for propeller shaft on rear axle side. | ra4100107b050x |
| | | ↓ | |
| | | If complaint is still present: | |
| | | ↓ | |
| | | 8 Balance propeller shaft in vehicle. | ra41001070080x |
| | | ↓ | |
| | | If complaint is still present: | |
| | | ↓ | |
| | | 9 Install vibration damper (62c) on rear mount for rear axle center assembly, see table for tightening torque. | |



P41.10-0036-01

Nm Rear axle center assembly housing

| Number | Designation | Model 124 |
|--------|-------------|-----------|
| | | |

| | | | |
|--------------------|--------------------------------------------------------------------------------------------|----|-----|
| BA35.31-P-1004-02A | Retaining screws for fastening vibration damper and rear axle housing to rear axle carrier | Nm | 150 |
|--------------------|--------------------------------------------------------------------------------------------|----|-----|

Parts ordering note

| Part no. | Designation | Quantity |
|---------------|----------------------------------------------------------------|----------|
| 124 350 06 72 | Vibration damper | 1 |
| 124 478 22 40 | Holder for fuel pump or fuel shut-off valve (on T-models only) | 1 |