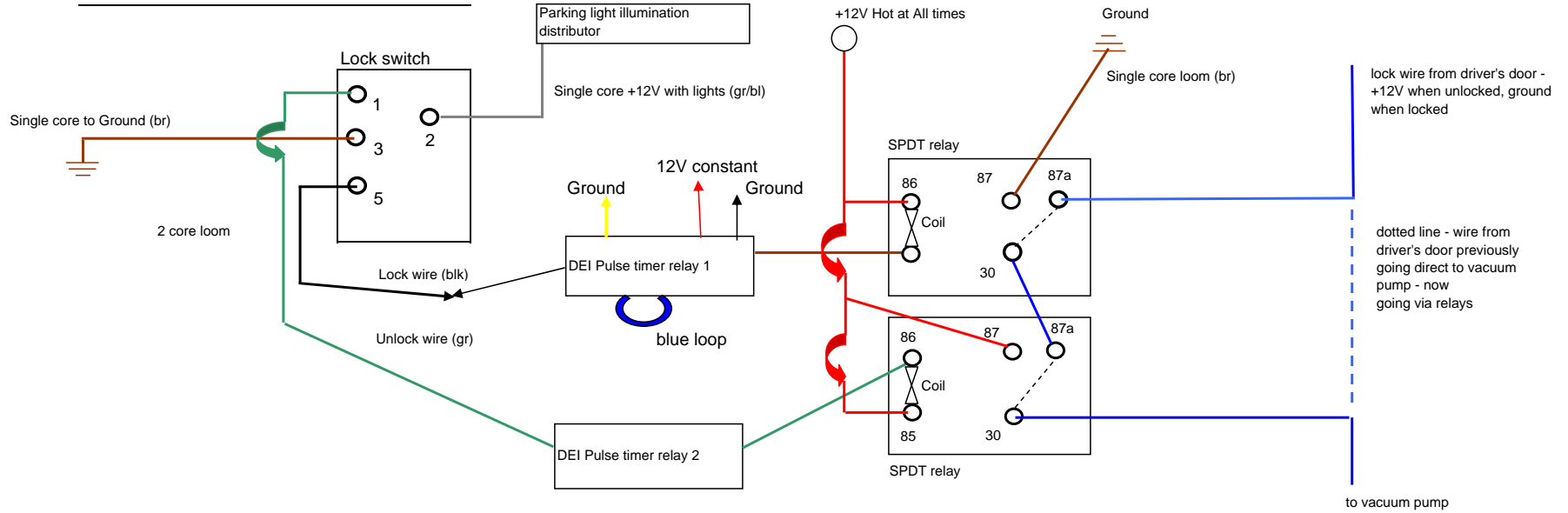
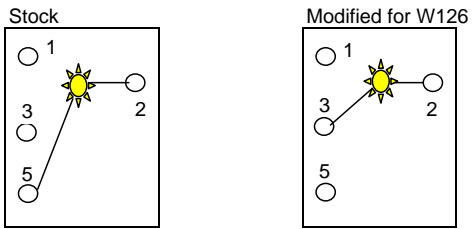


## Lock schematic



## Internal switch rewiring of illumination LED



Re-solder wire from LED at terminal 5 to terminal 3, which is ground at all times