

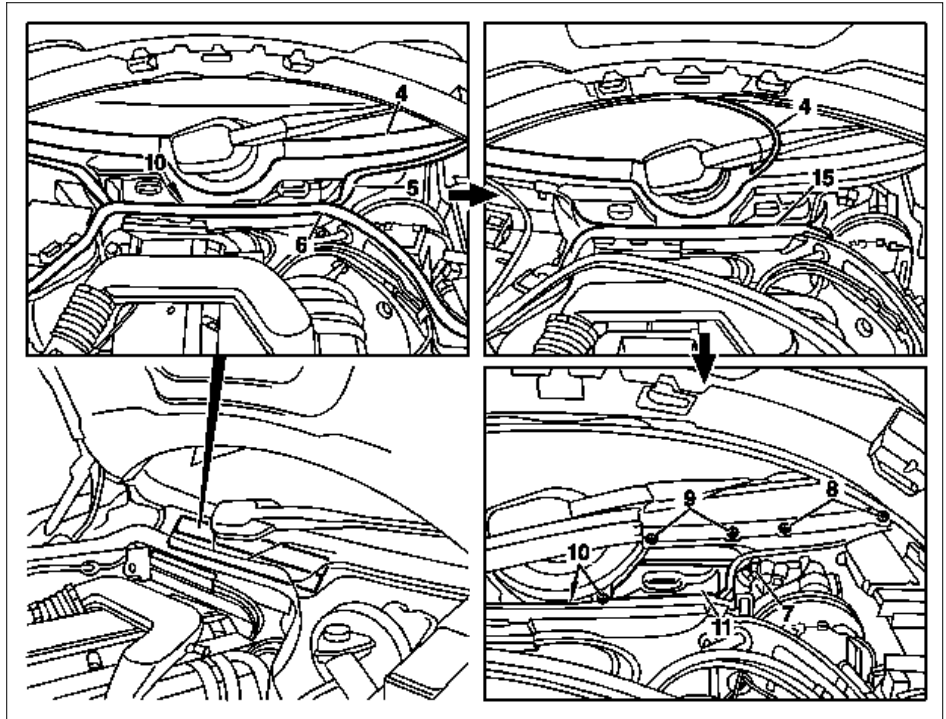
MODEL 124

with CODE (305a) Dust filter

with CODE (580) Air conditioning or Tempmatic for USA

with CODE (581a) Air conditioning (Automatic)

- 4 Seal
- 5, 6 Lip seal
- 7 Clips
- 8, 9, 10 Screws
- 11 Air inlet
- 15 Center section

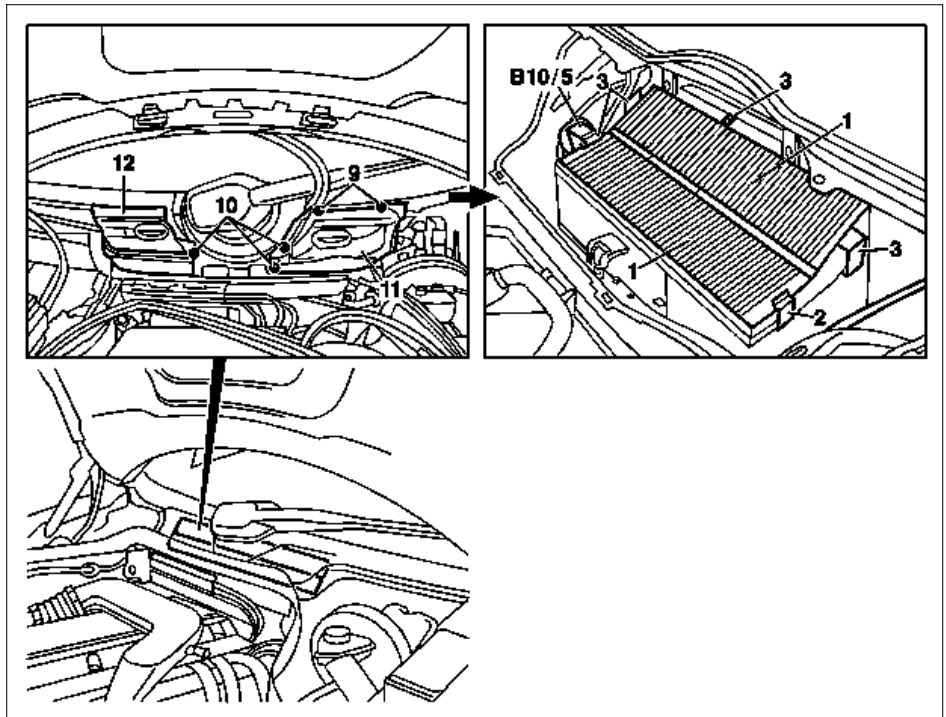


P83.25-0245-06

- 1 Dust filter
- 2, 3 Clips
- 9, 10 Screws
- 11, 12 Air inlet

Note

Illustrated with windshield wiper removed



P83.25-0246-06

☒ ☒	Removal, installation		
1	Pull off seal (4) up to windshield wiper		
2	Pull off lip seals (5, 6)		
3	Remove center section (15) (2 clips)		
4	Remove left water drain (clips 7, screws 8)		

5	Remove air inlet (1) upward (screws 9, 10)		
6	Remove air inlet (12) screws (10) and remove upward		
7	Fold over clips (2)		
8	Lift dust filter (1) pull out to left	i If necessary help through right opening	
9	Pull dust filter (1) forward, then pull out to left	i Installation: When installing the dust filter halves ensure that clips 2 and 3 are properly seated. Both halves of the dust filter must catch properly at the separation point.	
10	Reinstall in reverse order		