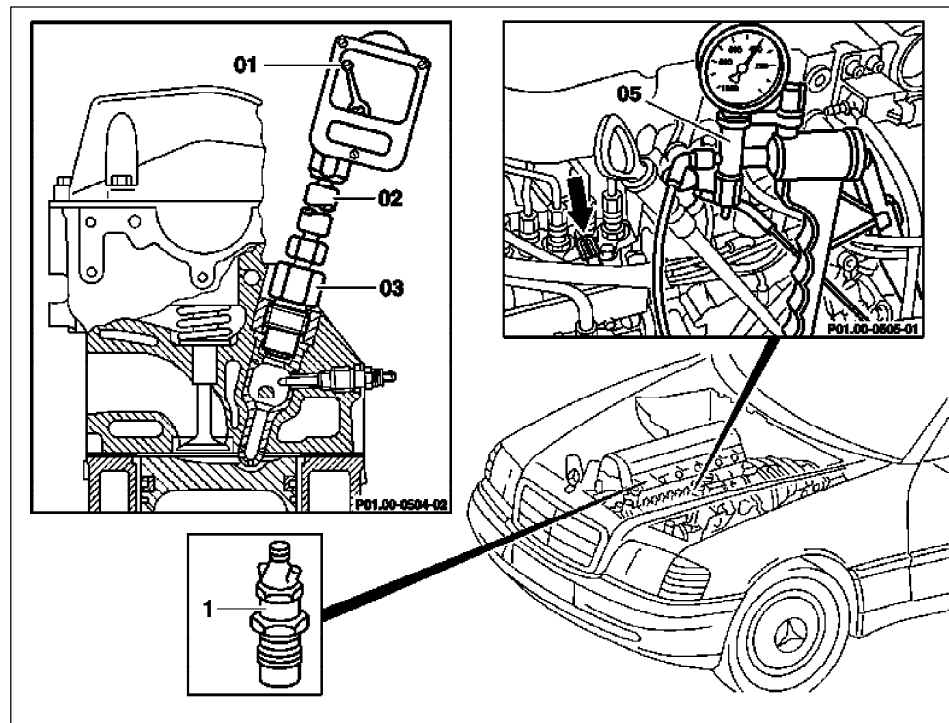


ENGINE 601 in MODEL 124, 201, 202

ENGINE 602 in MODEL 124, 201

ENGINE 603 in MODEL 124, 126, 140

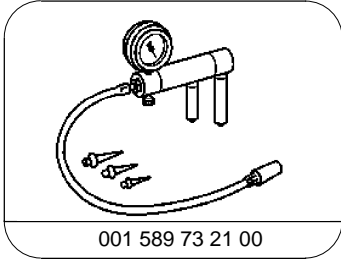


P01.00-0506-06

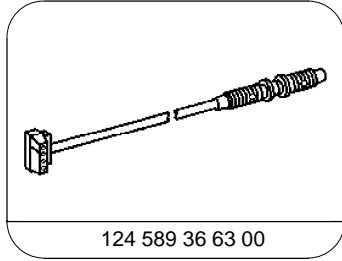
	Removing, installing		
1	Warm engine up to operating temperature	Test compression pressure only when engine is at normal operating temperature	
2	Remove injection nozzles (1)	Naturally aspirated engine Turbo engine	ra07016010230x ra07016026810x
3.1	Remove windscreen washer fluid reservoir	Model 202	
4	Connect vacuum pump (05) to stop unit and pressurize with approx. 400 mbar.	This prevents fuel being injected.	*001589732100
5	Crank engine several times with ignition/starter switch for cleaning. The transmission must be shifted into neutral for this step.		
6	Screw compression recorder (01) with appropriate connector (03) and flexible connection piece (02) into the prechamber of the cylinder to be tested	Use connector on engines with oblique injection 	*602589006300 *124589366300 *001589762100
7	Test compression pressure. Crank engine at least 9 revolutions with ignition/starter switch with transmission in neutral and vacuum pump connected.	Test compression pressure of the remaining cylinders in the same way	*BE01.00-P-1001-01A *BE01.00-P-1002-01A
8	Compare measurements obtained with the specified pressures.	If the pressure is below the minimum compression pressure at one or several cylinders, determine cause, inspect cylinders for leaks if necessary. Inspecting cylinders for leaks	*BE01.00-P-1003-01A ra01006010015x

Compression pressure

Number	Designation	Engine 601, 602 except 602.98, 603 with compression recorder 001 589 47 21 00	Engine 601, 602 except 602.98, 603 with compression recorder 001 589 78 21 00
BE01.00-P-1001-01A	Compression pressure installation tolerance or value when new	bar 26...32	29...35
BE01.00-P-1002-01A	Compression pressure wear limit or limit value	bar ≈ 18	≈ 18
BE01.00-P-1003-01A	Compression pressure permissible difference between individual cylinders	bar ≤ 3	≤ 3



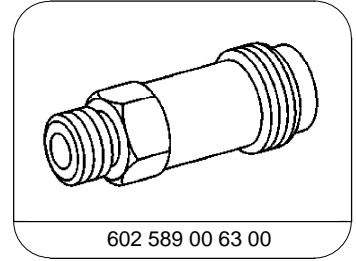
Hand vacuum pump



Adapter line



Compression recorder



Connector