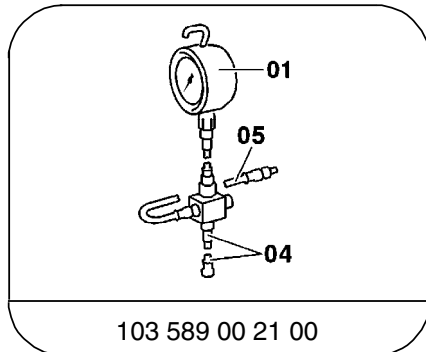


Hydraulic Test Program - Preparation for Test (Fuel System Pressure and Internal Leakage Test)

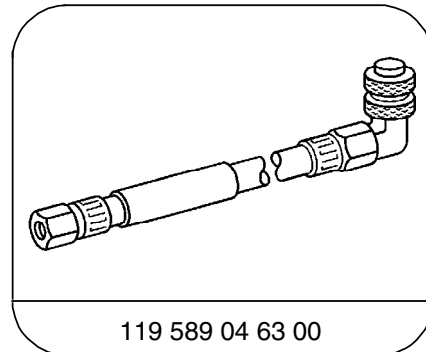
- Connect pressure gauge to test connection
- After completing test, using measurement glass (055), release fuel pressure and allow residual fuel to drain into glass (see Figures 1 and 2).

Special Tools



103 589 00 21 00

Tester



119 589 04 63 00

Pressure hose

Hydraulic Test Program - Preparation for Test (Fuel System Pressure and Internal Leakage Test)

Connection Diagram Engine 104

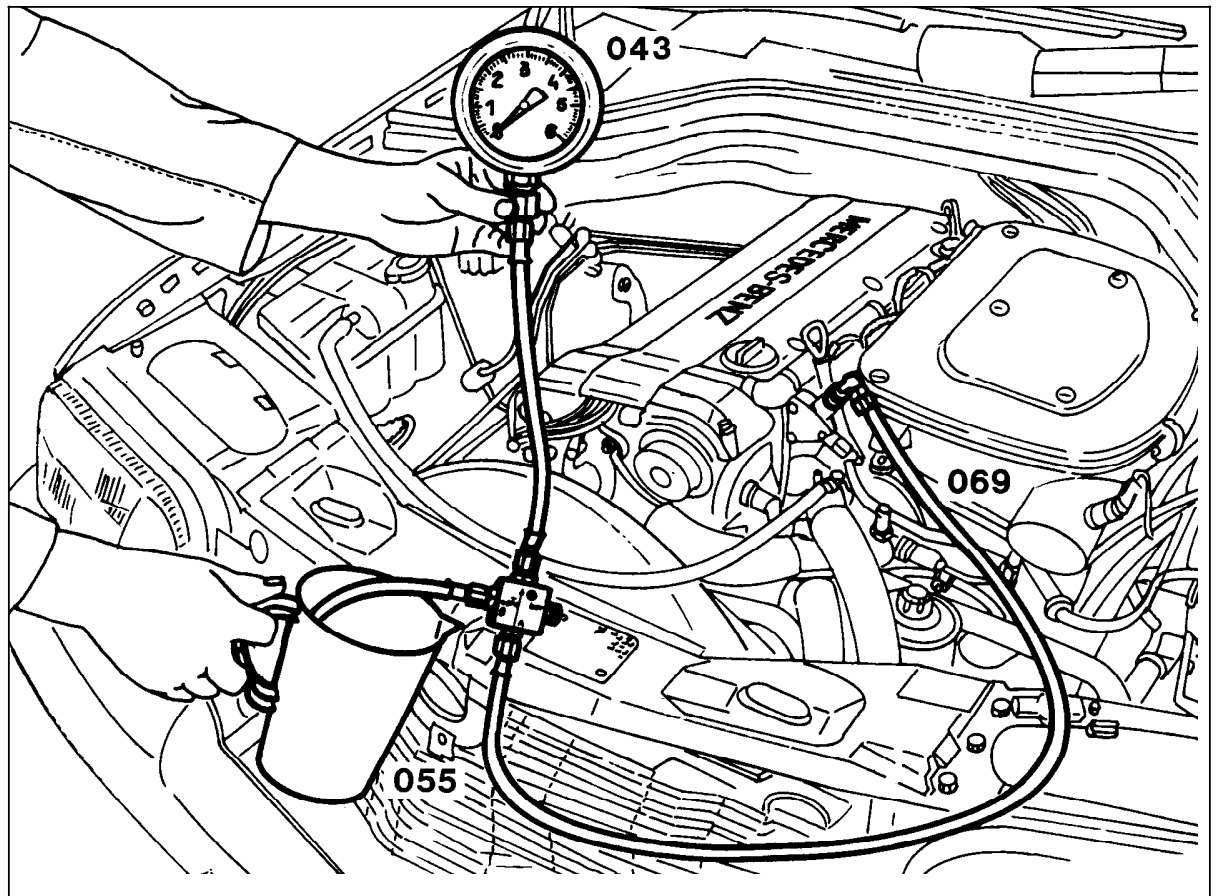


Figure 1

- 043 Pressure gauge (103 589 00 21 00)
- 055 Measurement glass
- 069 Pressure hose (119 589 04 63 00)

P07-2640-57

Hydraulic Test Program - Preparation for Test (Fuel System Pressure and Internal Leakage Test)

Connection Diagram
Engine 119

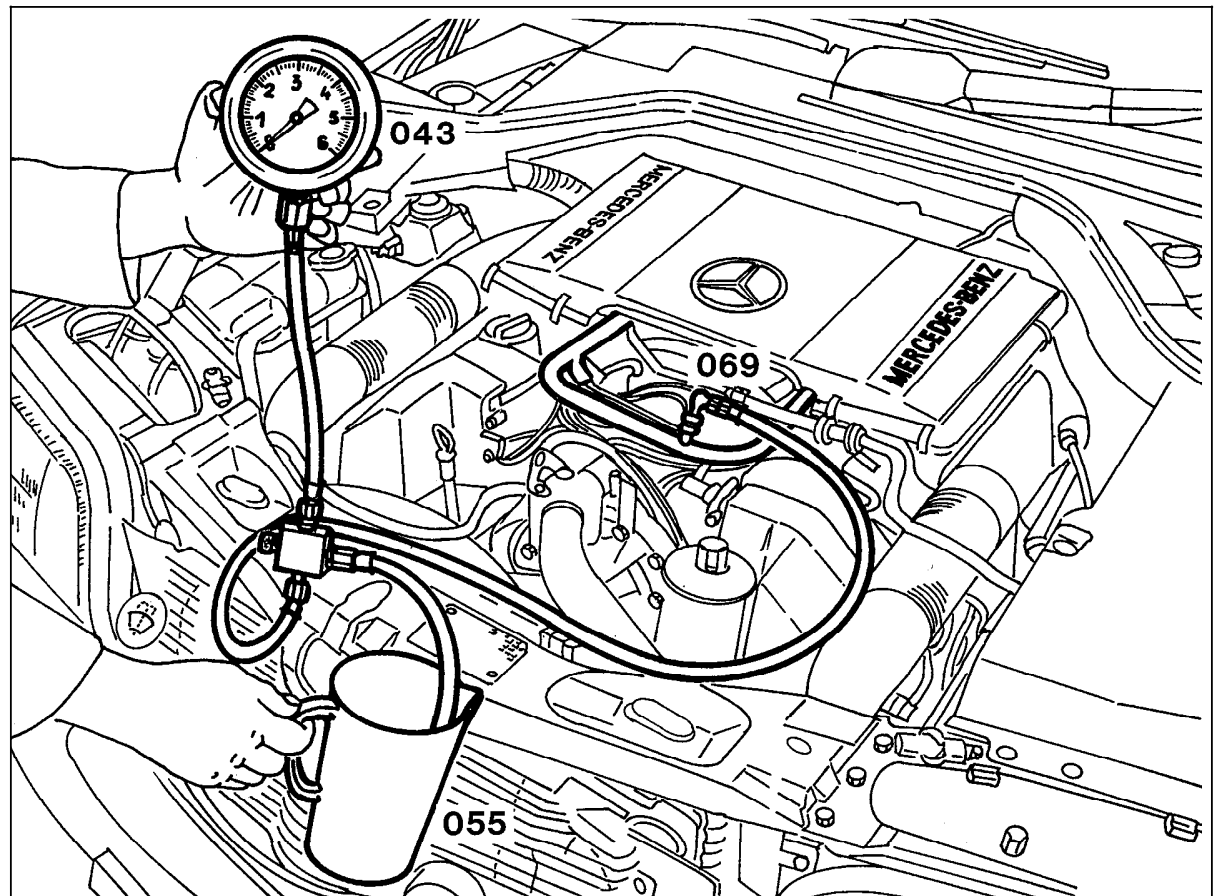


Figure 2

- 043 Pressure gauge (103 589 00 21 00)
- 055 Measurement glass
- 069 Pressure hose (119 589 04 63 00)

P07-2641-57