

Electrical components, part 1

Figure 1

N16/1 Base module (BM)

F1 Fuse, voltage supply, ABS (N30) or ASR (N30/1), ASD (N30/2) control modules, ASD/ASR stop lamp switch (S9/1)

F2 Fuse, voltage supply

Engines 104, 119

CHECK ENGINE indicator lamp (A1e26 (USA) (J)), LH-SFI control module (N3/1), diagnostic module (N59, California MY 92), fuel pumps relay (K27)
Engines 104, 119 up to approx. 08/92

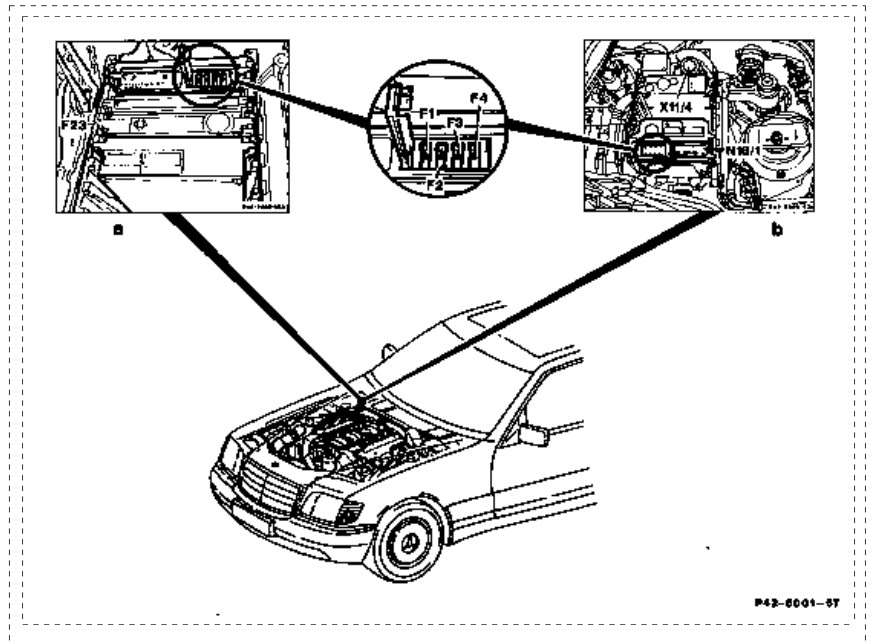
DI/KSS control module (N1/3), air injection relay (K17), transmission shift point retard relay (K29), shift point retard solenoid valve (Y3/2), exhaust gas recirculation (ARF) switchover valve (Y27), electromagnetic actuator, adjustable camshaft timing (Y49, Y49/1, Y49/2), regeneration switchover valve (Y58/1), fuel injection valves (Y62)
Engines 104, 119 as of approx. 09/92

DI/KSS control module (N1/3, as of approx. 06/91), fuel injection valves (Y62)
Engine 120

CHECK ENGINE indicator lamp (A1e26 (USA)), right DI/KSS control module (N1/5, as of approx. 06/91), right LH-SFI control module (N3/3), diagnostic module (N59, (USA), MY 92), air injection relay (K17), relays 1 and 2 for fuel pumps 1 and 2 (K27/1, K27/2), shift point retard solenoid valve (Y3/2), EGR switchover valve (Y27/3), electromagnetic actuator, right adjustable camshaft timing (Y49/2), right regeneration switchover valve (engine left-side) (Y58/3), right fuel injection valves (Y64)
Engine 603

EDS control module (N39), EGR switchover valve (Y27), EGR vacuum transducer (Y31/1), boost pressure control vacuum transducer (Y31/4), boost pressure cut-off switchover valve (Y31/6)

- a Location, models 129, 140
- b Location, model 124



Electrical components, part 2

Figure 2

N16/1 Base module (BM)

F3 Fuse, voltage supply for control modules: speed-sensitive power steering (SPS) (N49/1), adaptive damping system (ADS) (N51), 5-speed automatic transmission (N15/1)

F4 Fuse, voltage supply

Engines 104, 119 (as of approx. 09/92)

Air injection relay (K17), fuel pumps relay (K27), transmission shift point retard relay (K29), shift point retard solenoid valve (Y3/2), EGR switchover valve (Y27), electromagnetic actuator, adjustable camshaft timing (Y49, Y49/1, Y49/2), regeneration switchover valve (Y58/1)
Engine 120

CHECK ENGINE indicator lamp (A1e26, (J)), left DI/KSS control module (N1/4, as of approx. 06/91), left LH-SFI control module (N3/2), relays 1 and 2 for fuel pumps 1 and 2 (K27/1, K27/2), left EGR switchover valve (Y27/2), electromagnetic actuator, left adjustable camshaft timing (Y49/1), left regeneration switchover valve (Y58/2), left fuel injection valves (Y63)

- a Location, models 129, 140
- b Location, model 124

