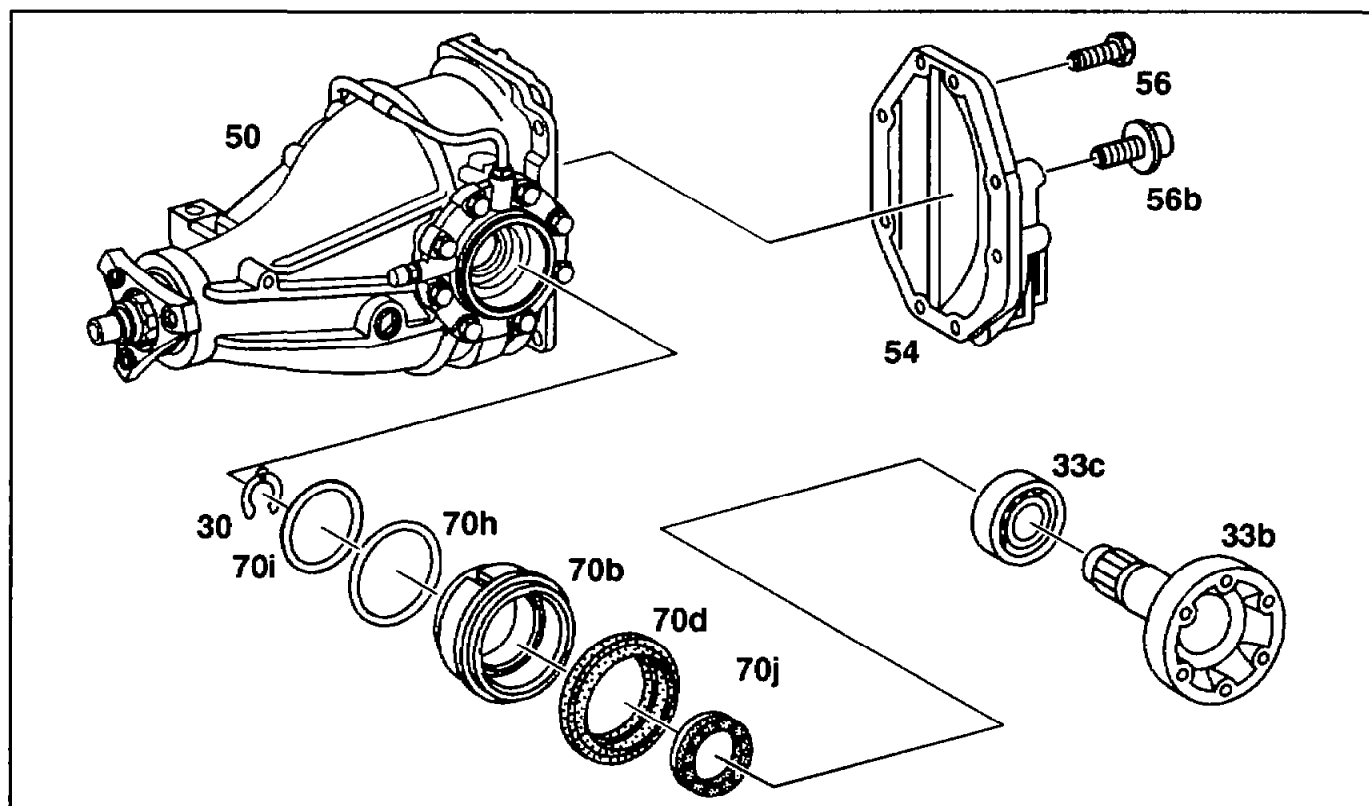






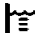

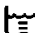








N3	AR35.41-P-0545D	Repairing ASD ring cylinder	17.6.96
----	-----------------	-----------------------------	---------

**MODEL 124.008 /028 /029 /031 /032 /034 /036 /051 /052 /061 /066 /088 /091 /092,
129.058 up to 31.5.94,
129.061,
129.063, 140.028 /032 /033 up to 31.5.94,
140.1 with CODE (211a) Rear axle with automatic locking differential (ASD)
210 mm dia. rear axle center assembly**

- 30 Circlip
- 33b Connecting flange
- 33c Deep-groove ball bearing
- 50 Rear axle center assembly
- 54 End cover
- 56 Bolts
- 56b Collared bolts
- 70b Annular piston
- 70d Rubber boot
- 70h O-ring (72x3)
- 70i O-ring (63x2.5)
- 70j Radial seal ring



	Removing, installing		
1  BT	Remove rear axle center assembly (50) Speed sensor tapped hole on rear axle housing relocated	Model 124 Model 129 Model 140 Models 124, 129, 140	RA35-0520 AR35.31-P-0520C AR35.31-P-0520A BT35.31-P-0004-01A B18
2	Drain rear axle oil	 Installation: ↓  Oil drain screw  124  129  140  Oil filler screw	BA35.31-P-1003-02A BF35.31-P-1001-01B BF35.31-P-1001-01C BF35.31-P-1001-01A BA35.31-P-1002-02A
3	Detach end cover (54)	 Installation: Clean sealing surface and smear with sealing compound  Replace collared bolts (56b)  Collared bolts (56b), bolts (56)	BR00.45-Z-1011-01A BA35.31-P-1001-02A
4	Pull off circlip (30)	 Installation: Replace circlip	AR35.31-P-0540-01A P13
5	Pull out connecting flange (33b)	 Installation: Check contact surface for the radial seal ring on connecting flange, if severely scored: ↓ Replace connecting flange	



BT	Connecting flange with centering	No axial play adjustment is required on vehicles with ASD Models 124, 129, 140	BT35.31-P-0009-01A A18
6	Pull off deep-groove ball bearing (33c)		AR35.31-P-0540-04A M13
	Dismantling, assembling		
7	Repair ring cylinder	Replace radial seal ring and smear sealing lip with Universal hypoid transmission fluid: ↓ Universal hypoid transmission fluids (SAE 85 W-90) Replace O-rings and smear with hydraulic fluid: ↓ Hydraulic fluids (Specification 343.0)	AR35.41-P-0545-04D P15 BB00.40-P-0235-07A BB00.40-P-0343-00A
8	Install in reverse order		
9	Bleed ASD hydraulic system	Model 124 Model 129 Model 140	RA35-05 19 AR35.41-P-0519C K3 AR35.41-P-0519A G3



 **Rear axle center assembly housing**

Number	Designation		Model 124	Model 129	Model 140
BA35.31-P-1001-02A	Collared bolt, end cover to rear axle center assembly	Nm	50	50	50
BA35.31-P-1002-02A	Oil filler screw, rear axle center assembly	Nm	50	50	50
BA35.31-P-1003-02A	Oil drain screw, rear axle center assembly	Nm	50	50	50

 **Rear axle center assembly**

Number	Designation		Models 140.02/03 with (code 211) ASD up to 05/94
BF35.31-P-1001-01A	Filling quantities	Rear axle center assembly	Liters 1.3
		Specifications for Service products	Sheet -
			Sheet 235.7

 **Rear axle center assembly**

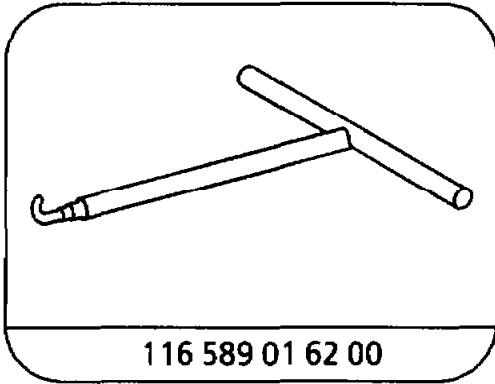
Number	Designation		Model 140.1 with (code 211) ASD
BF35.31-P-1001-01A	Filling quantities	Rear axle center assembly	Liters 1.3
		Specifications for Service products	Sheet -
			Sheet 235.7


 Rear axle center assembly

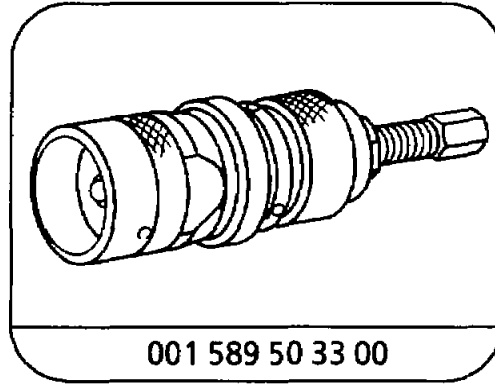
Number	Designation			Models
BF35.31-P-1001-01B	Filling quantities	Rear axle center assembly	Liters	1,3
		Specifications for Service products	Sheet	235.7
			Sheet	-

 Rear axle center assembly

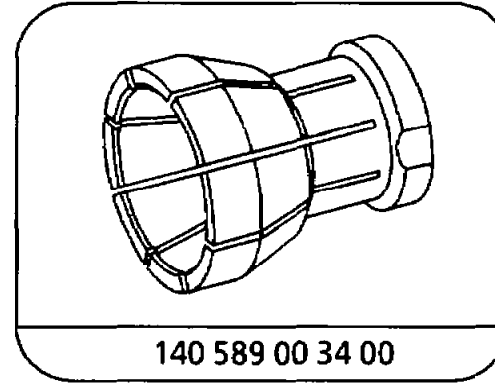
Number	Designation			Models
BF35.31-P-1001-01C	Filling quantities	Rear axle center assembly	Liters	1.3
		Specifications for Service Products	Sheet	-
			Sheet	235.7



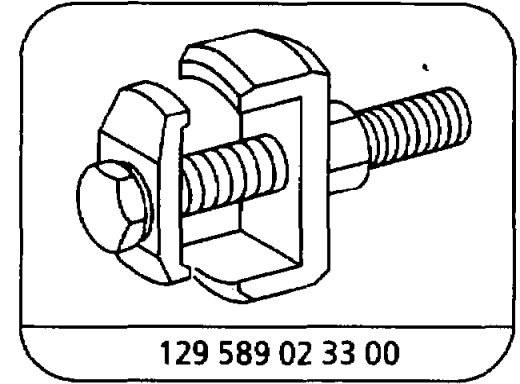
Removal and installation tool



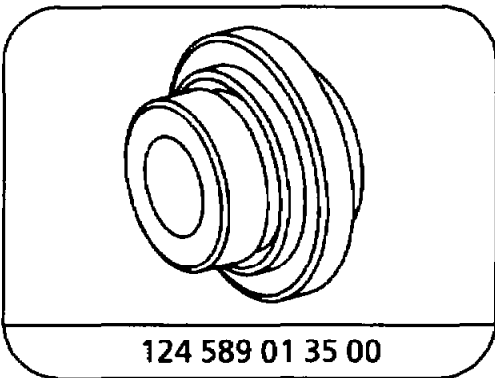
Puller



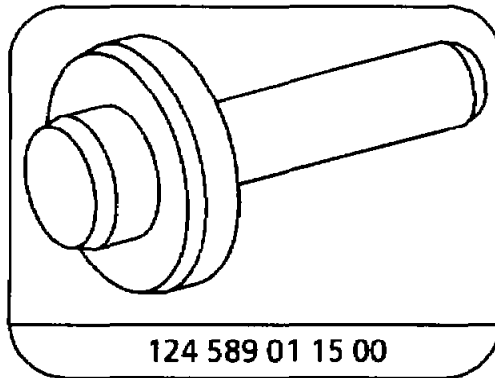
Spring collet



Extractor



Pressing-in tool



Drift punch

**Repair product**

Number	Designation	Order number
BR00.45-Z-1011-01A	Hylomar sealing agent	001 989 25 20