

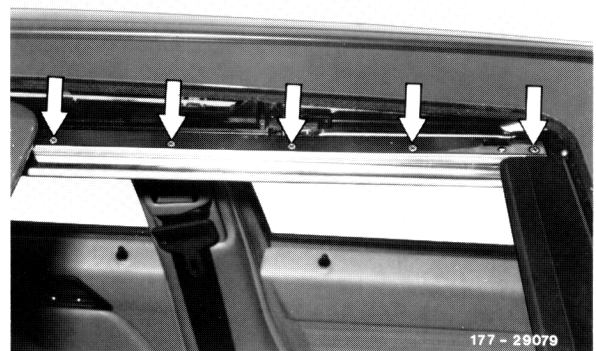
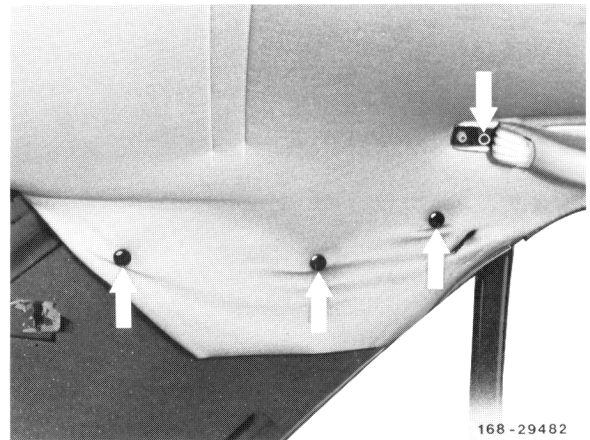
A. Sedan, coupe (stretch lining)

Note

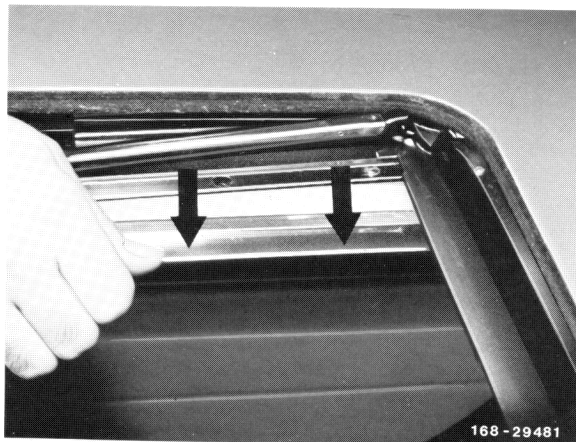
Coupe models without sliding-lifting roof are provided with a prefab lining. Removal and installation is described under section B.

Removal

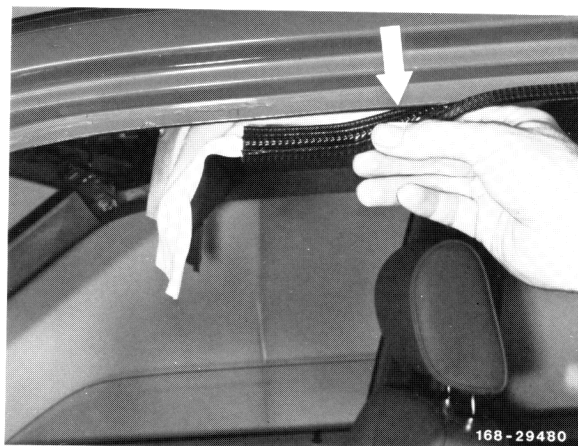
- 1 Remove trim on roof frame, front (68-400).
- 2 Remove trim on center pillar left and right (68-470).
- 3 Remove trim on rear pillar left and right (68-449).
- 4 Pull off chafing strip in range of headlining.
- 5 Unscrew hand grips and force out fastening clips at front and rear.
- 6 Open sun roof, unscrew slide rails and remove.
- 7 Remove sun roof headlining (77-050).



8 Remove chrome-plated covering strips on sun roof cutout left and right.

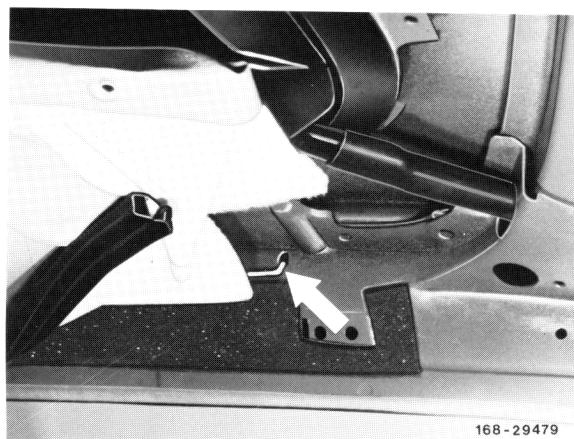


9 Disengage headlining on door cutout.

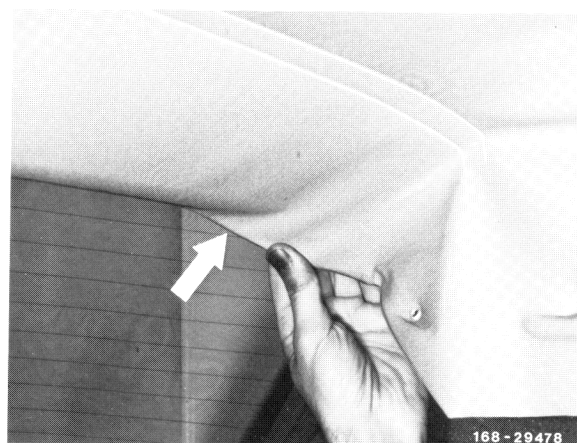


10 Disengage lateral bows on roof frame.

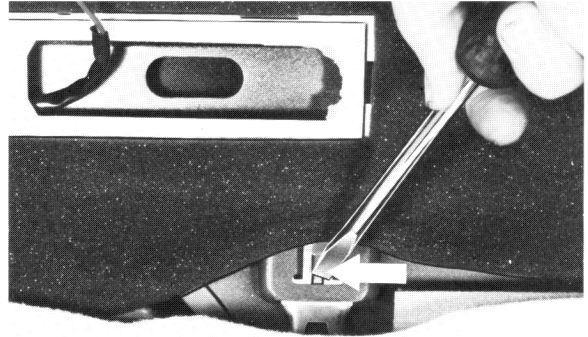
11 Force out rear lamp unit and pull off electrical connection.



12 Disengage headlining from holding strip on back window, top.



13 Force out holding clips on rear bow and disengage bow laterally.



168 - 29477

14 Disengage headlining on sun roof cutout laterally and at the rear and remove.



168-29476

Installation

15 Hook headliner into rear of sliding roof cut-out (on vehicles without sliding roof hook headliner into retaining lugs at front of roof frame).

16 Reinstall in opposite order.

Note

Remove glue residues on headliner carefully with naphtha (with high flash point) with doors opened in well-ventilated room; do not use MB spot remover, nitro-cellulose solvent, etc.



Observe applicable safety regulations when working with naphtha.

Dirty headliners can be cleaned with MB plastic cleaner, neutral dry foam cleaner, solution of soap and water, etc.



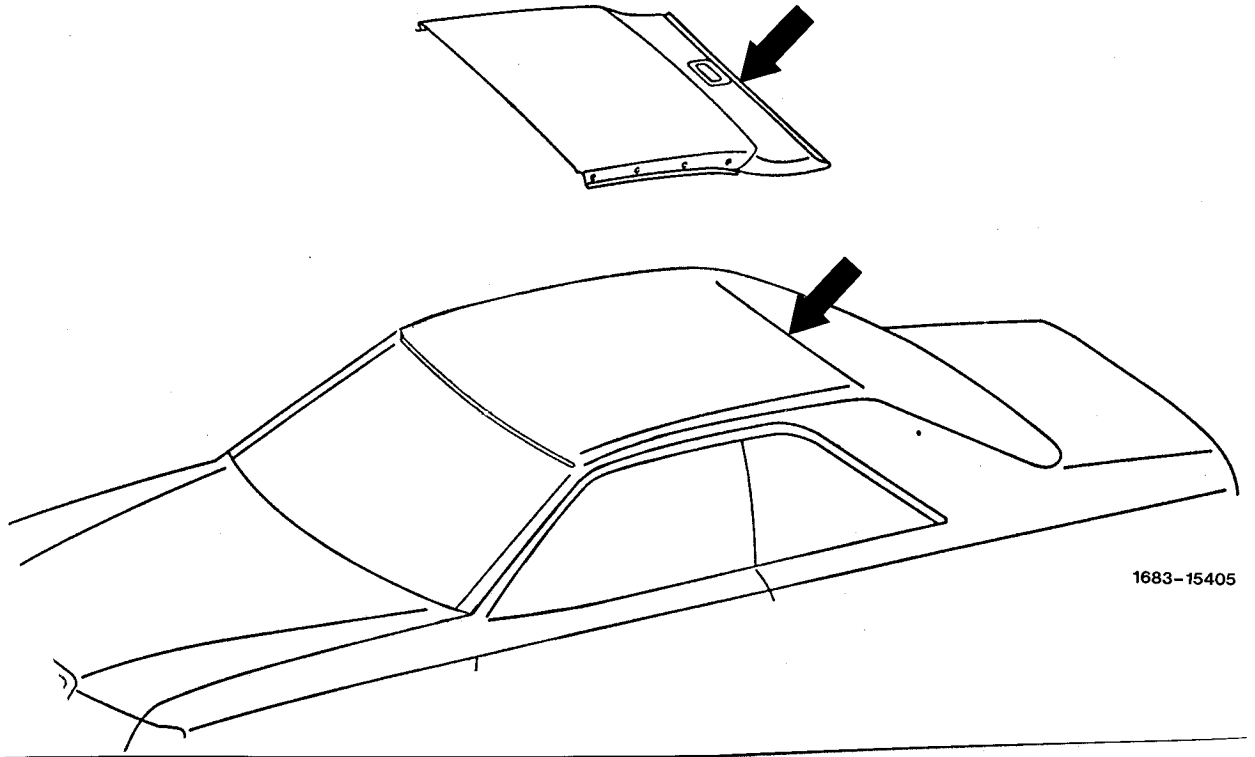
168-29475

B. Coupe (prefabricated headliner)

Preliminary work:

Trim on roof frame, front, removed (68-400).

Trim on rear pillar left and right removed (68-449).



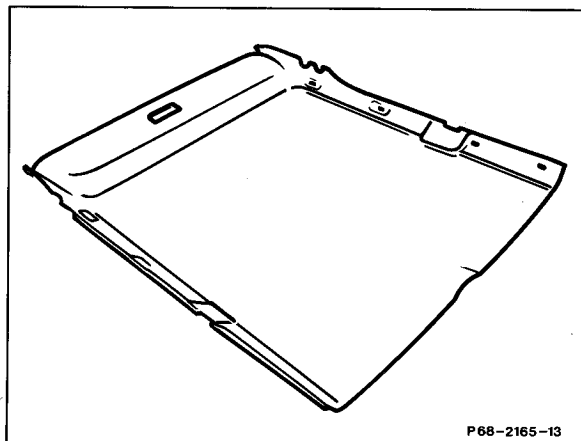
Chafing strip in range of prefab headlining	pull off
Interior lighting in rear compartment	remove
Hand grips	remove
Prefab headlining on back window top toward the rear	disengage (arrows)
Prefab headlining	remove

C. Sedan (prefabricated headliner)

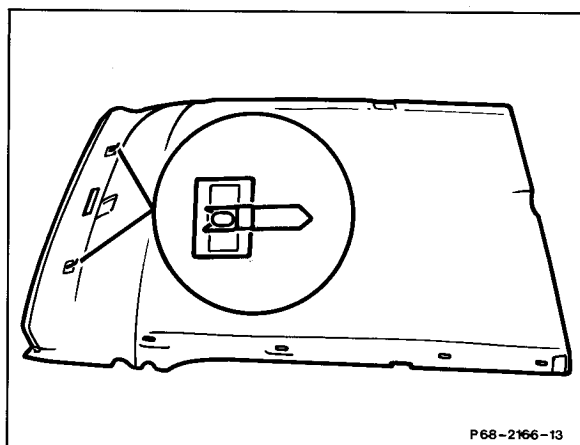
Note

As of vehicle ident. end no. B 171734 (January 1990) a prefabricated headliner was installed instead of the stretch headliner. On vehicles with sliding roof the prefabricated headliner was installed as of vehicle ident. end no. B 437327 (January 1993). The prefabricated headliner is available in three colors and can be removed and installed through the passenger door.

- 1 Remove door edge protector at front and rear.
- 2 Remove window moulding at side of windshield (68-405).
- 3 Remove trim at front of roof frame (68-400). Remove trim toward front.
- 4 Remove trim on center pillar on left and right (68-470).
- 5 Remove trim on rear pillar left and right (68-449).



- 6 Screw off grab handles on inside and remove rear illumination.
- 7 Move front seats all the way back and put backrests on driver's seat down against stop. Move gearshift lever or selector lever to front position.
- 8 Unhook prefabricated headliner at rear of roof frame by pulling prefabricated headliner toward rear (two retaining lugs).



- 9 Remove prefabricated headliner through passenger door opening.
- 10 Reinstall in opposite order.

