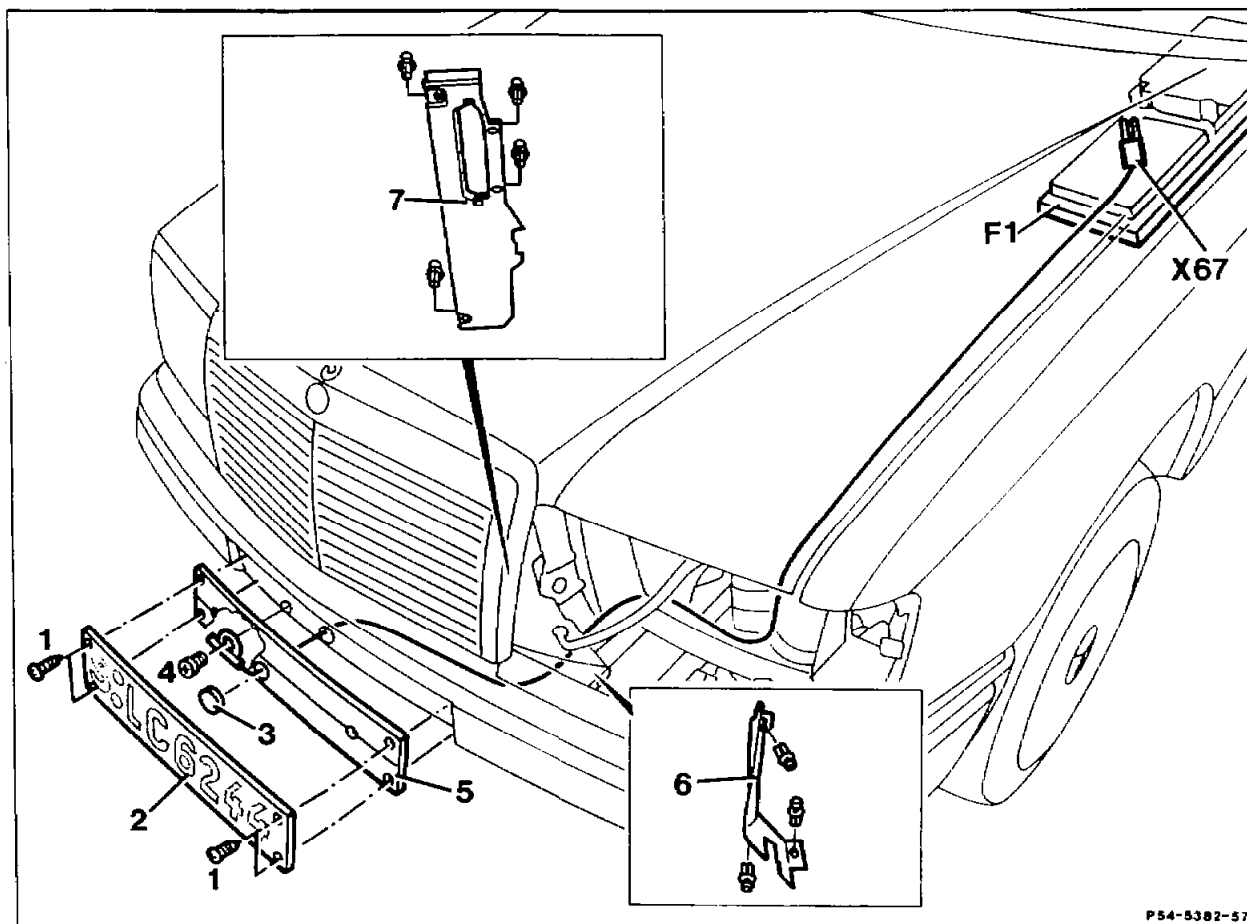


## 54-6341 Removing and installing temperature sensor of outside temperature display

Preceding work:  
 Engine compartment panel removed (61-105).  
 Fuse and relay box removed (54-1255).  
 Left headlamp unit removed (82-4730).

Operation no. of operation texts and work units or standard texts and flat rates:



P54-5382-57

Screws (1) .....	unscrew, screw in.
Licence plate (2) .....	take off, fit on.
Rubber grommet (3) .....	take off, insert.
Screw (4) .....	unscrew, screw in.
Cover plate (5) .....	take off, fit on.
<b>Only vehicles with transmission oil cooler</b>	
Cover (6) .....	take off, fit on.
Cover (7) .....	take off, fit on.
<b>All vehicles</b>	
Plug connection, outside temperature display, 2-pin (X67) .....	unplug, plug together.
Connector of plug connection, outside temperature display, 2-pin (X67) .....	disassemble, assemble.
Cable of temperature sensor .....	expose and take out, insert and attach.