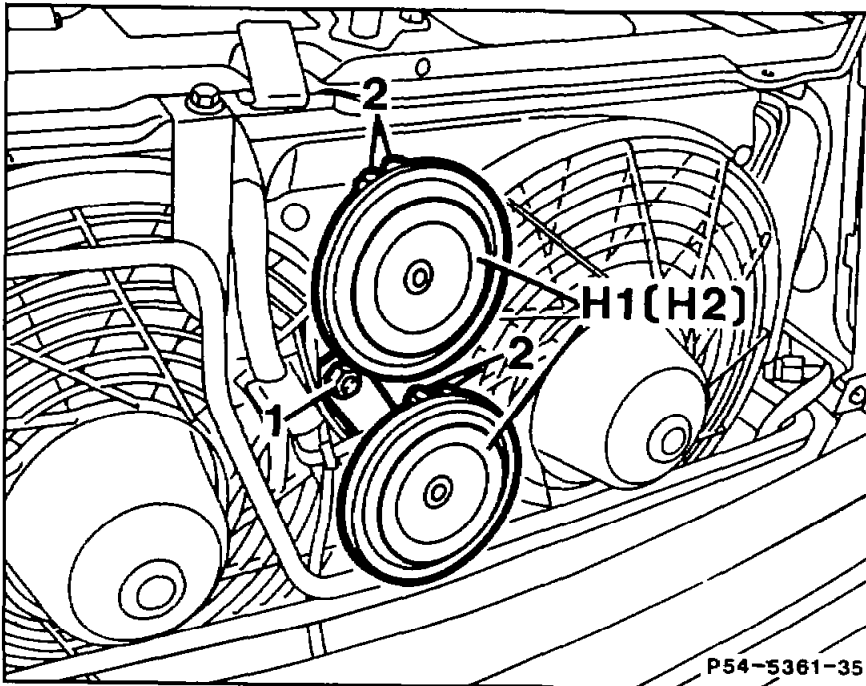


54-1555 Removing and Installing horns of two-tone signal system or fanfares

Operation no. of operation texts and work units or standard texts and flat rates:

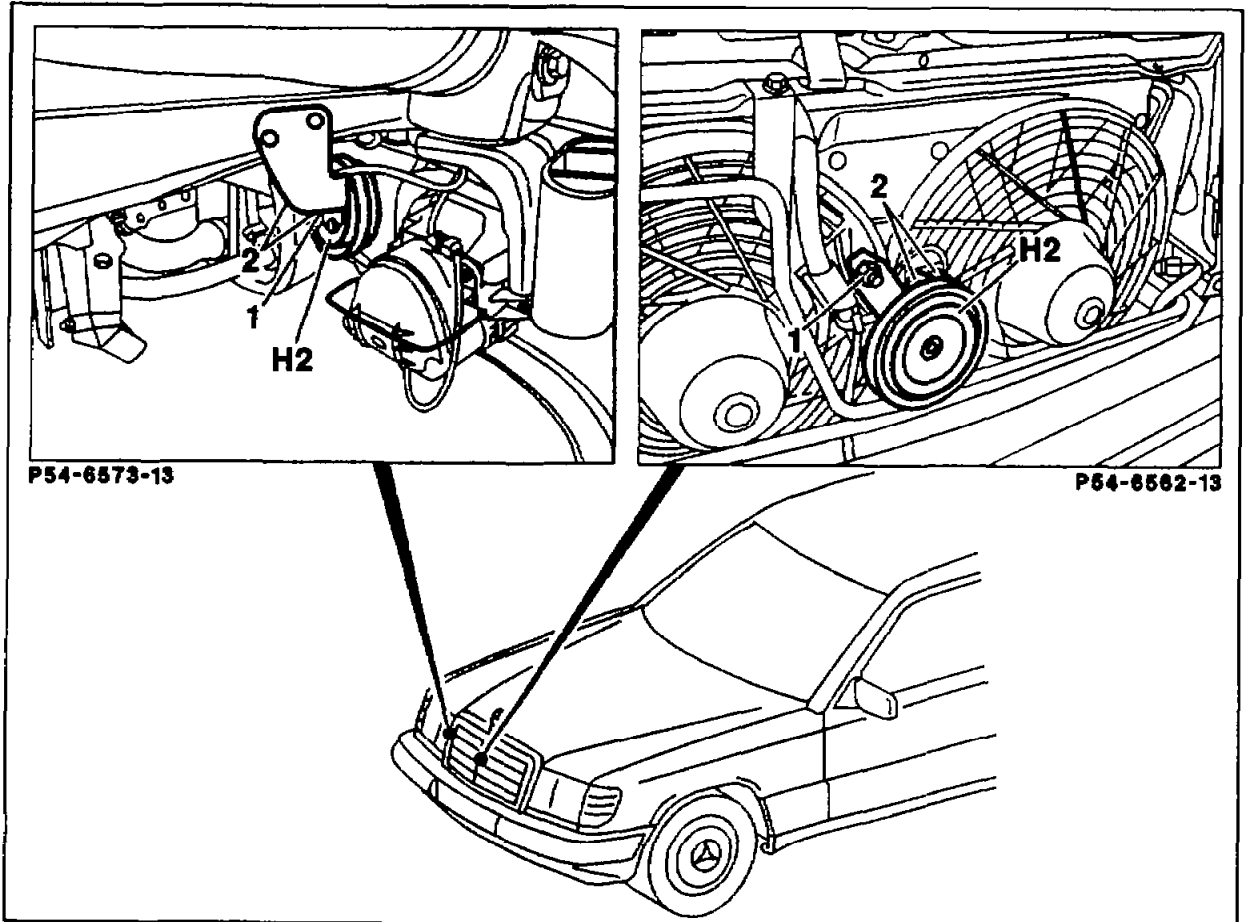
A. Removing and Installing horns/fanfare on strut in front of radiator (except model 124.061 up to 07/93 and model 124.036)



Nut (1)	unscrew, screw on.
Horns of two-tone signal system (H1) or fanfare (H2)	take out, insert.
Cables (2)	disconnect, connect.

B. Removing and installing fanfare on strut in front of radiator and in front right wheelhouse (model 124.036)

Preceding work:
Liner of front right wheelhouse removed.

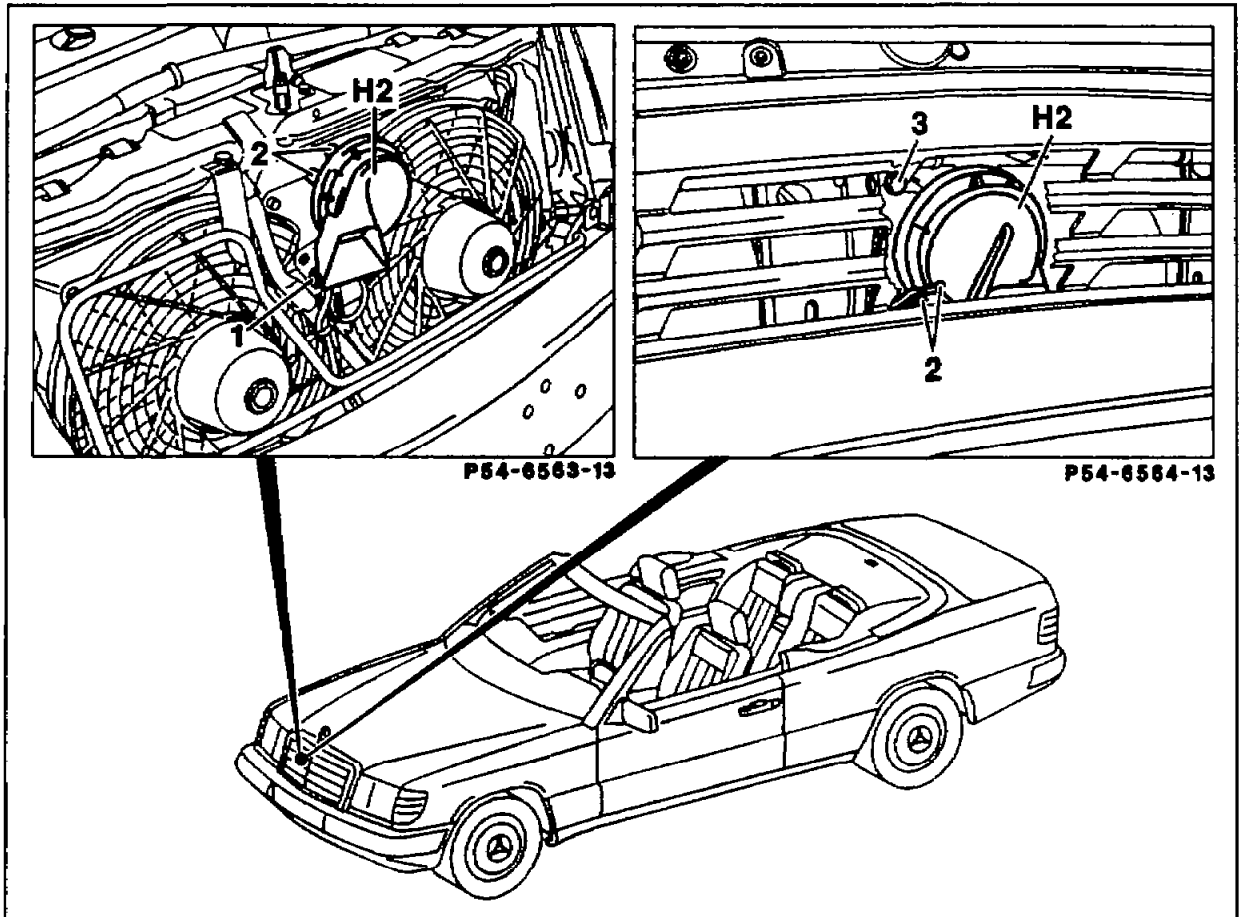


P54-6557-57

Nut (1)	unscrew, screw on.
Fanfare (H2)	take out, insert.
Cables (2)	disconnect, connect.

C. Removing and Installing fanfare on strut in front of radiator and behind bumper (model 124.061 up to 07/93)

Preceding work:
Engine compartment panel removed (61-0105)



Leads (2) to upper fanfare (H2)	disconnect, reconnect.
Nut (1)	screw off, screw on.
Upper fanfare (H2)	remove together with bracket, reinstall.
Screw (3) on bottom fanfare (H2)	screw out, screw in.
Bottom fanfare (H2)	remove, install.
Leads (2) to bottom fanfare (H2)	disconnect, reconnect.