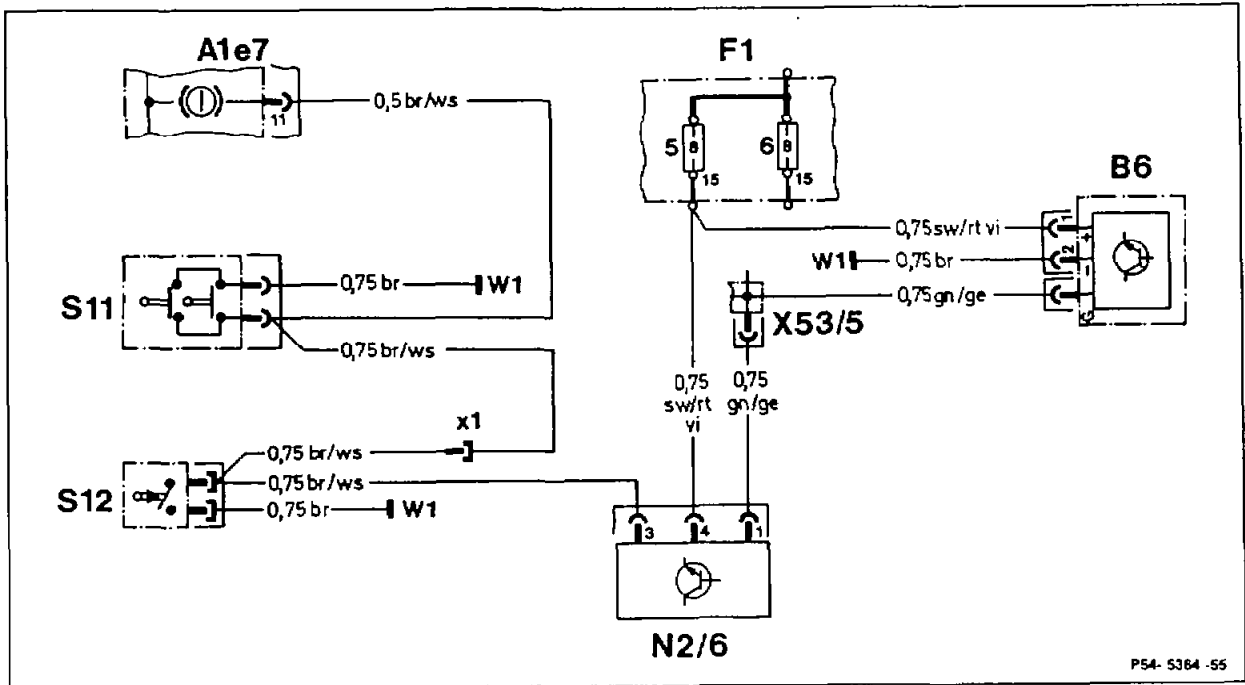


## 54-0405 Warning device for parking brake (rental vehicles)

Operation no. of operation texts and work units or standard texts and flat rates:



P54- 5364 -55

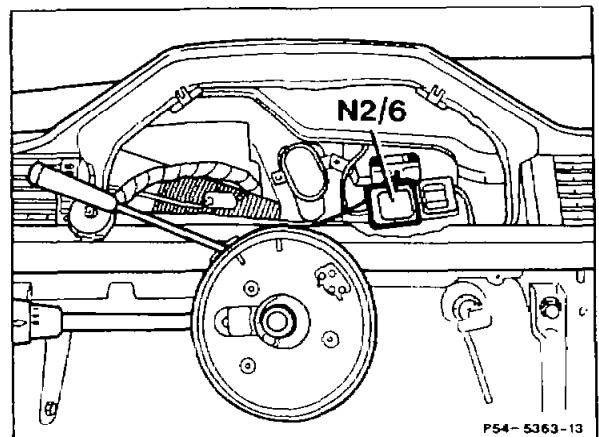
A1 Instrument cluster  
 A1e7 Brake fluid and parking brake warning lamp  
 B6 Hall sensor, road speed  
 F1 Fuse and relay box  
 N2/6 Parking brake warning device

S11 Brake fluid warning lamp switch  
 S12 Parking brake warning lamp switch  
 S12x1 Plug connection, parking brake switch  
 W1 Main ground (behind instrument cluster)  
 X53/5 Multiple pin connector/Hall sensor

### Function

The voltage for the parking brake warning device (N2/6) is tapped in the fuse and relay box (fuse 5, terminal 15). When the parking brake is applied, ground from the parking brake warning lamp switch (S12) is supplied to the parking brake warning device (N2/6). If a road speed signal is supplied additionally by the Hall sensor (B6), the warning buzzer sounds.

N2/6 Parking brake warning device



P54- 5363 -13