

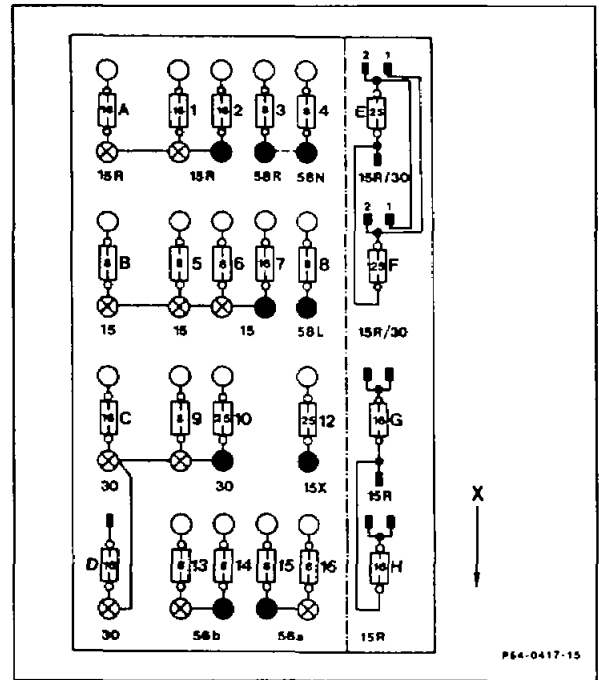
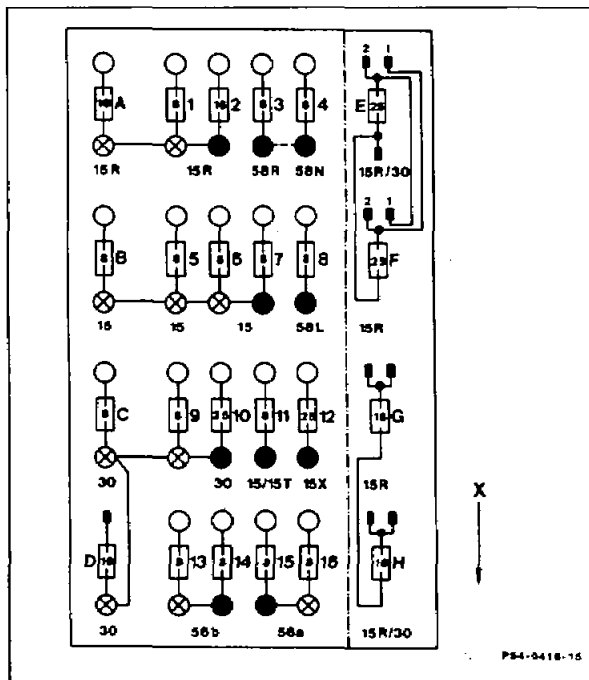
54-0345 Location and Identification of fuses and unfused connections

Operation no. of operation texts and work units or standard texts and flat rates:



A. Location of fuses

Standard version

 version



Fuse C differs depending on model and version.
See Wiring Diagrams Model 124

 version Fuse A and B according to model and version.
See Wiring Diagrams Model 124 

- X Direction of travel
- Protected fuse connection
- ⊗ Fuse feed without cable connection
- Fuse feed with cable connection
- Loose jumper, clamped from below

B. Unfused connections

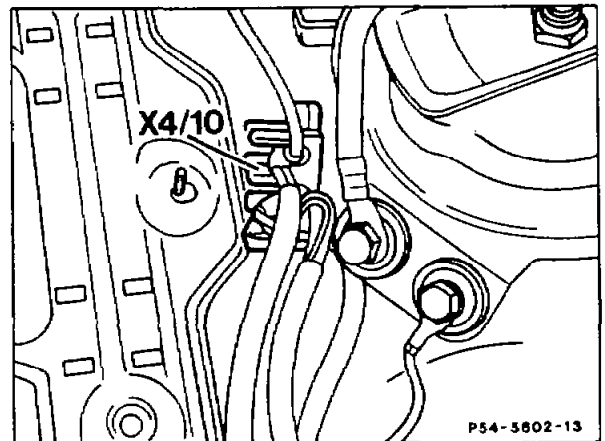
**Terminal block (X4/10) 3-pin, terminal 30/
terminal 61 (battery**

Assignment:

Fuel pump relay, terminal 30

Idle speed shutoff valve relay with automatic
transmission and air conditioner

Overvoltage protection relay, terminal 30



Terminal block (X4, X4/1) terminal 30/interior

Assignment:

ABS (USA)

Battery

Alternator

Exterior light switch

Headlamp flasher, connection to combination
switch

Power window relay (USA), (S)

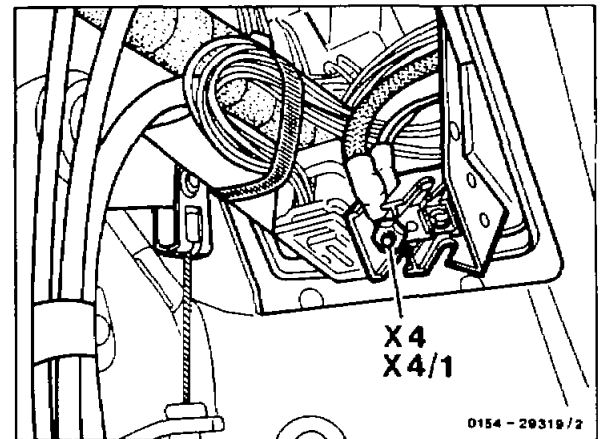
Convenience control relay (USA)

Idle speed shutoff valve relay without automatic
transmission and air conditioner

Starter

Preglow time relay (USA)

Ignition starter switch



C. Unfused connections in fuse and relay box at fuse carrier

Input fuse	Terminal	Connection
2	15R	Seat belt tensioner/airbag
7	15	Overvoltage protection relay, terminal 15
E/F	15R/30	Convenience control relay, terminal 87
G/H	15R	Power window relay, terminal 87 (S)