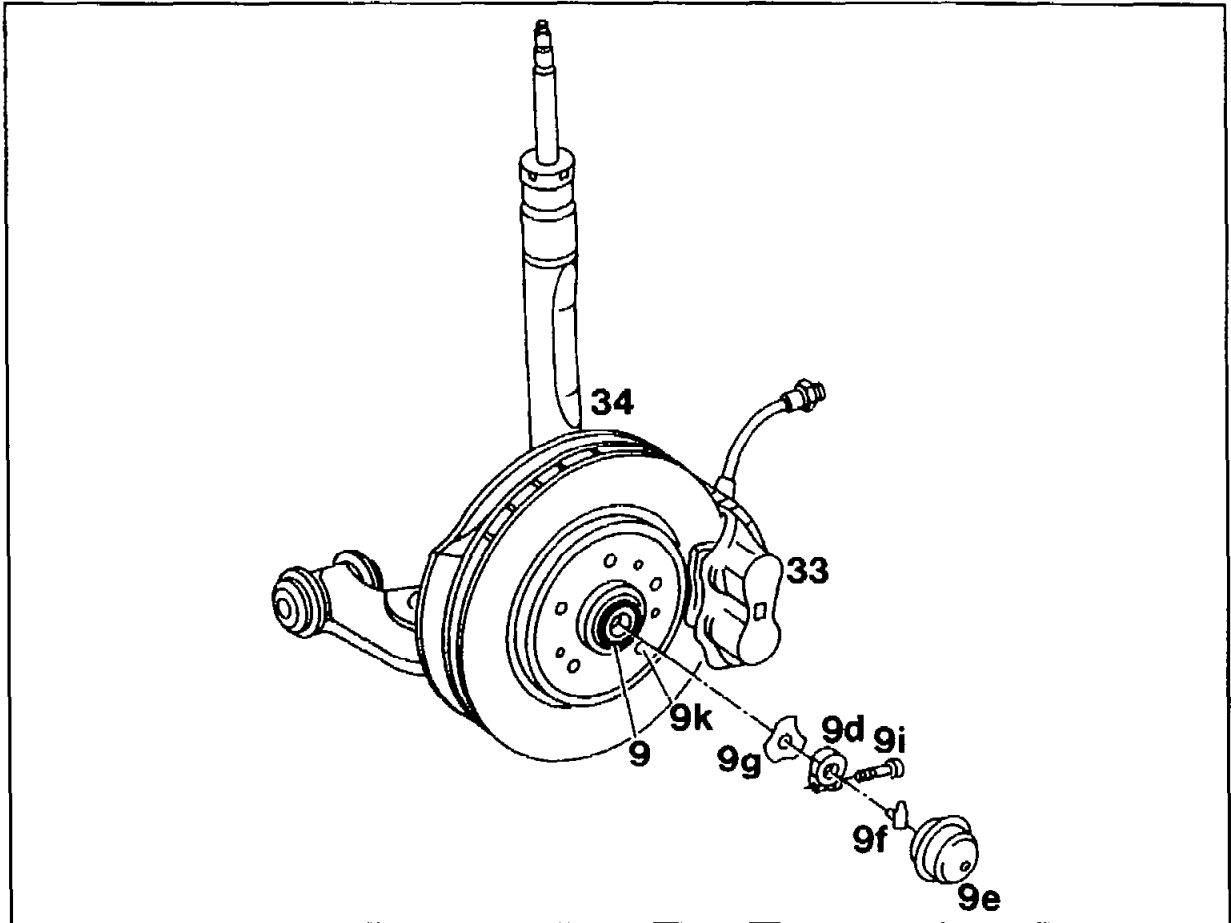


33-0300 Adjusting wheel bearing play

Preceding work:
Removing and installing front wheel (40-1450).



P33-5107-57

Brake disk (34)

Secure by screwing in a wheel bolt 180° opposite the locking bolt (9k) (step 1).

Brake pads (34)

Press off brake disk (34).



When assembling, operate the brake pedal several times to build up pressure and apply the brake pads.

Hub cap (9e)

116 589 22 33 00

Remove with puller 116 589 22 33 00 (step 3).
Fill hub cap with approx. 15 g of high-temperature roller bearing grease (refer to lubricants table). Drive on using drift 124 589 00 15 00 (steps 10 and 11)

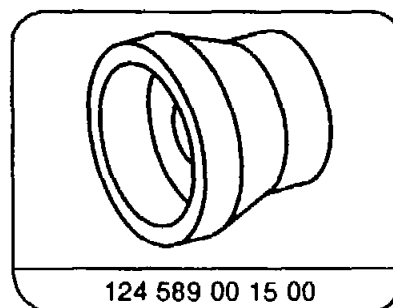
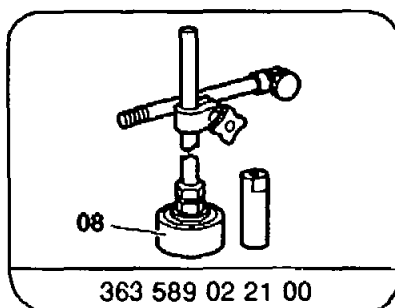
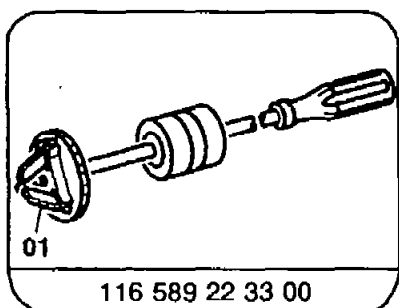
Contact spring (9f)	Remove, install (steps 4 and 8).
Dial gauge stand 363 589 02 21 00	Mount on front wheel hub and set dial gauge to 2 mm preload (step 5).
Wheel bearing play	Check. Maximum limit 0.05 mm. Refer to Note (step 6).
Wheel bearing play	Adjust as follows (step 7):

- Slacken hexagon socket bolt (9i) of clamping nut (9d).
- While turning the wheel hub, tighten the clamping nut until the hub can only be turned with effort.
- .Slacken clamping nut until play is evident. If necessary, release tension by tapping the steering knuckle pin with a plastic mallet
- Adjust wheel bearing play to between 0.01 and 0.02 mm by alternately turning the clamping nut and pulling and pushing vigorously on the wheel hub or brake disk.
- Tighten hexagon socket bolt (9i) of clamping nut (9d) to 8 Nm and again check wheel bearing play.

Note

Always use the dial gauge to adjust the wheel bearing play.

Special tools



Lubricants

High-temperature roller bearing grease
See MB Specifications for Service Products,
sheet 265.1

Part no. 001 989 23 51/10 (150 g Tube)

Grease capacity:

In hub cap: capacity approx. 15 g

Vehicles as of 10/92

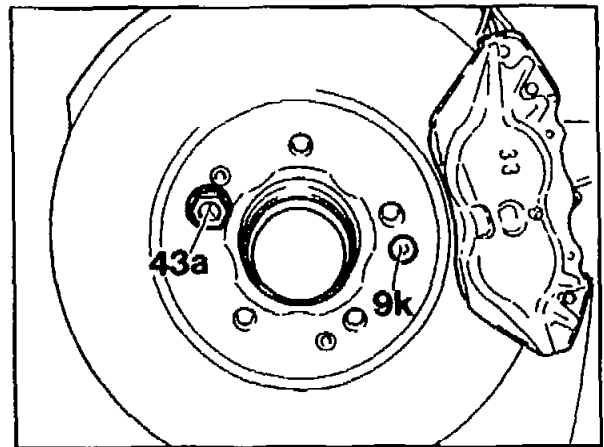
The contact spring for radio interference suppression and the washer located between the tapered roller bearing and the clamping nut were phased out as of 10/92.

Adjusting

1 Fasten brake disk to front wheel hub. To do this, screw in a wheel bolt (43a) 180° opposite the locking bolt (9k).

Note

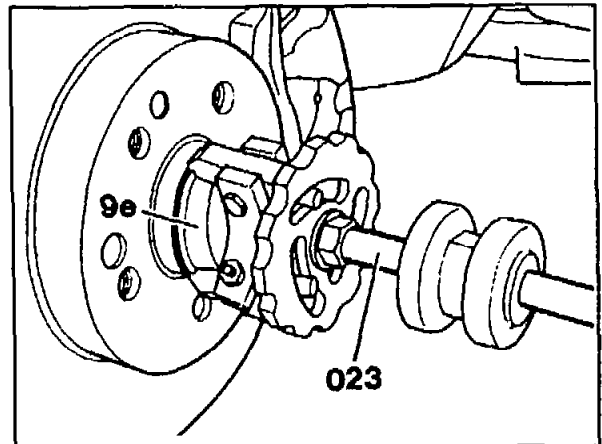
On wheel hubs without locking bolt (up to 12/84), fasten brake disk to wheel hub using two wheel bolts.



P33-5183-13

2 Press brake pads off brake disk.

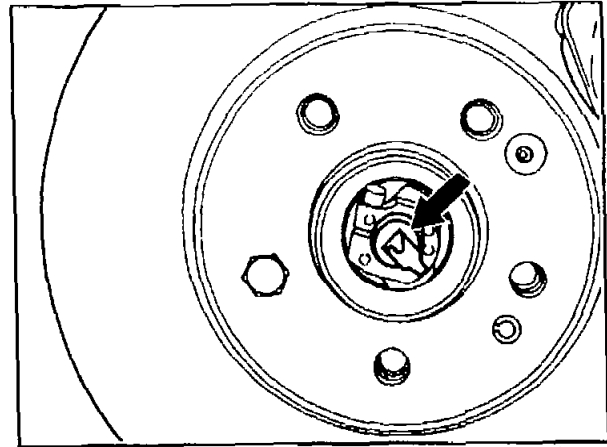
3 Pull hub cap (9e) off wheel hub using puller (023) 116 589 22 33 00.



P33-2056-13

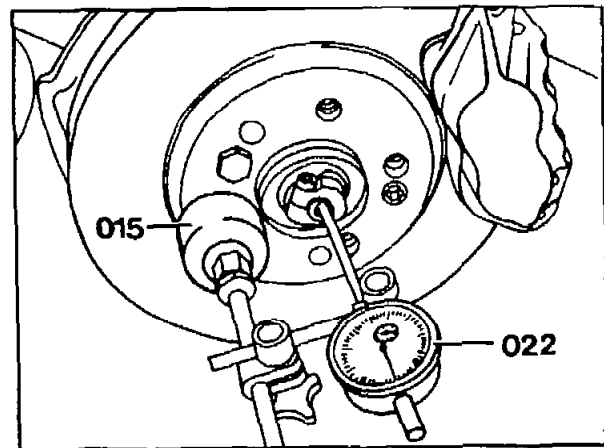
Vehicles up to 10/92

4 Remove contact spring for radio interference suppression (arrow).



P33-2024-13

5 Mount dial gauge stand (015) 363 589 02 21 00 on front wheel hub and set dial gauge (022) to approx. 2 mm preload.



P33-2023-13

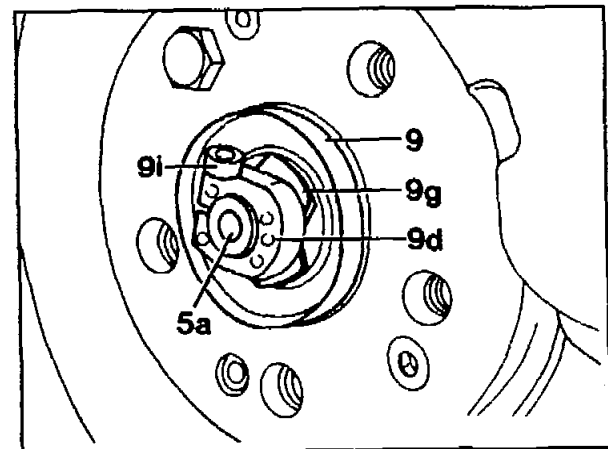
6 Check wheel bearing play by vigorously pulling and pushing on the flange (max. 0.05 mm). Before each measurement, turn the wheel hub several times.

Note

The wheel hub must not turn during the measurement.

7 Adjust wheel bearing play as follows:

- Slacken hexagon socket bolt (9i) of clamping nut (9d).
- While turning the wheel hub (9), tighten the clamping nut until the hub can only be turned with effort .
- Slacken clamping nut until play is evident. If necessary, release tension by tapping the steering knuckle pin (5a) with a plastic mallet.
- Adjust wheel bearing play to between 0.01 and 0.02 mm by alternately turning the clamping nut and pulling and pushing vigorously on the wheel hub or brake disk.

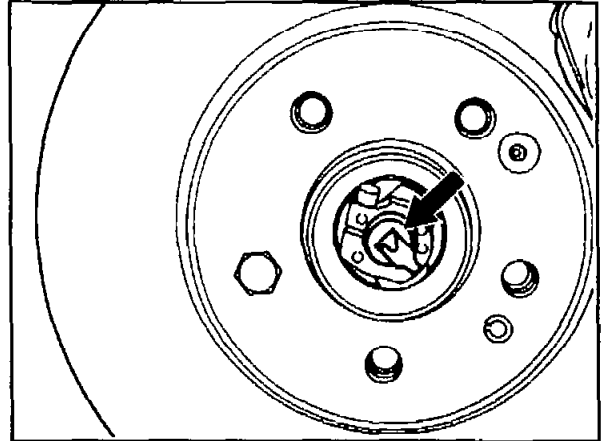


P33-2020-13

- Tighten hexagon socket bolt (9i) of clamping nut (9d) to 8 Nm and again check wheel bearing play.

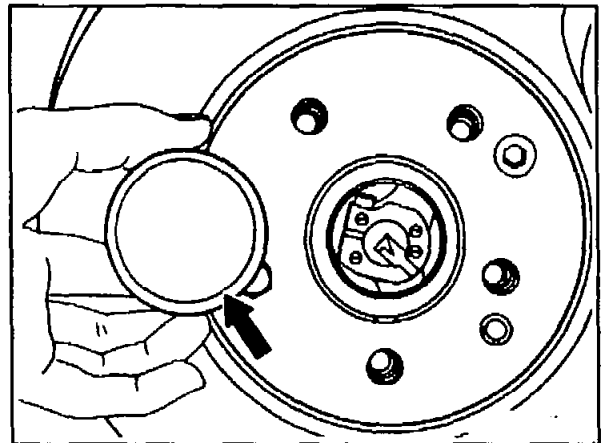
Vehicles up to 10/92

8 Install contact spring (arrow) for radio interference suppression.



P33-2024-13

9 Fill hub cap up to flared edge (arrow) with approx. 15 g of high-temperature roller bearing grease.



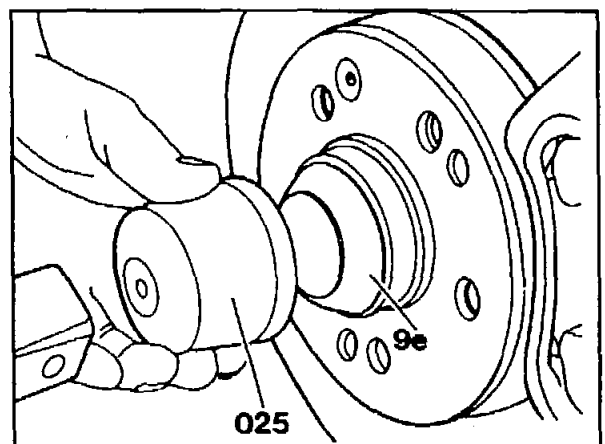
P33-2030-13

10 Drive hub cap (9e) onto wheel hub using drift (025) 124 589 00 15 00.

11 Unscrew any wheel bolts used for fastening.



Operate the brake pedal several times to build up pressure and apply the brake pads.



P33-2055-13